



*Fumo Telecommunications*  
POWER OF CONNECTION



*Fumo Telecommunications*  
POWER OF CONNECTION

## Product Catalogue



### Head Office

Gontardstraße 11  
Gontardstraße 10178,11 Berlin,Germany



### Factory

Flora Rezidans No.: 2105  
Atasehir / ISTANBUL

[info@fumotelecom.de](mailto:info@fumotelecom.de)

[www.fumotelecom.de](http://www.fumotelecom.de)

**01**

Company  
Profile

**02**

Copper  
Solutions

**03**

Enterprise  
Racks

**04**

Outdoor  
Racks

**05**

Network  
Ducts

**06**

FTTH  
Solutions



## Corporate Strategy

Fumo Telecommunications was established in 1992 on the foundation of telecommunications innovation, knowledge, and skill. These very attributes have made the Fumo brand what it is today – market leaders in network infrastructure connectivity. Engineers, researchers and OEM partners worldwide recognize that Fumo products represent ideal product solutions supporting the network connectivity / datacenter solutions.





***Future is More Optimistic***





THIS CERTIFIES THAT  
*Name & Family Name*  
HAS SUCCESSFULLY COMPLETED  
THE TRAINING PROGRAM FOR  
LOREM IPSUM  
HELD BY \_\_\_\_\_ SIGNATURE \_\_\_\_\_  
DATE \_\_\_\_\_

THIS CERTIFIES THAT  
*Name & Family Name*  
HAS SUCCESSFULLY COMPLETED  
THE TRAINING PROGRAM FOR  
LOREM IPSUM  
HELD BY \_\_\_\_\_ SIGNATURE \_\_\_\_\_  
DATE \_\_\_\_\_

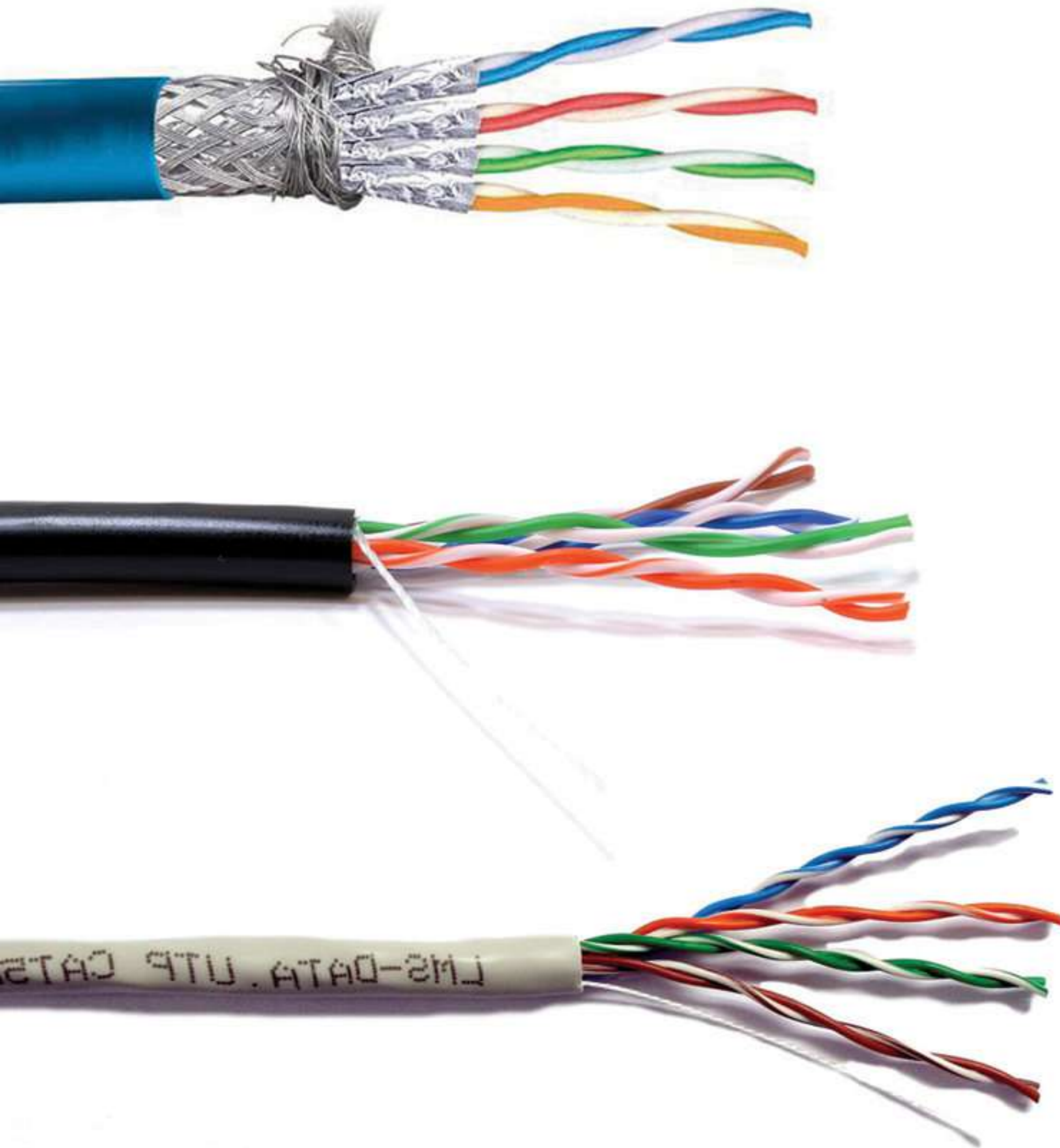
THIS CERTIFIES THAT  
*Name & Family Name*  
HAS SUCCESSFULLY COMPLETED  
THE TRAINING PROGRAM FOR  
LOREM IPSUM  
HELD BY \_\_\_\_\_ SIGNATURE \_\_\_\_\_  
DATE \_\_\_\_\_





## Corporate Breif Introduction

Fumo Telecomm was established in 1997 conceived between Germany, Turkey China and Taiwan to manufacture Copper cables and Overhead Electrical Transmission Cables, Conductors. Since then, the company has developed into a significant player in the copper and Electrical Transmission Industry in Middle East region. Its growth has contributed to the industrialization of Egypt and other Gulf countries while promoting a national skilled workforce within the company.



## Copper Solutions

Silver Link

# 02

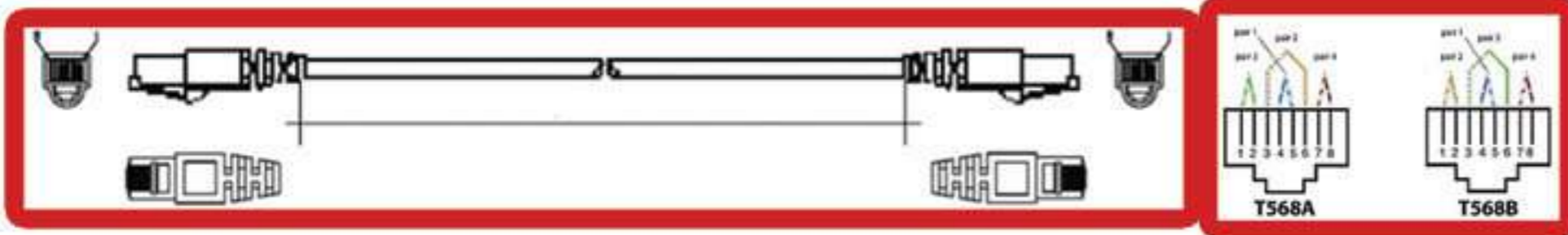
[WWW.FUMOTELECOM.DE](http://WWW.FUMOTELECOM.DE)

## LLADSCSM

Patchcord RJ45-RJ45, Category 6 250Mhz, unshielded, PVC-sheath



### Product Overview



produced to fulfill and exceed Cat.6 requirements of the most common international standards – IEC 61935-2 2nd Ed. – IEC 60603-7 – EN 50288-6-2, as well as Class E described in international structured cabling standards – ISO/IEC 11801 2nd Ed., EN 50173-1:2002, TIA/EIA 568-B.2.1. SilverLink copper patch cords in conjunction with the SilverLink RJ45 connection technology, and the SilverLink copper data cables form a well-adapted, uniform system with excellent transmission characteristics and superb reserves.

### Specifications

Items	Specifications
Conductor	AWG24 – AWG – AWG 26 Stranded bare copper (0,61mm – 0,48mm)
Insulation	PO (polyolefin) or solid PE (polyethylene)
Pairs	4 twisted pairs
Sheath	PVC (polyvinylchloride)
Fire safety rating	IEC 332-1
Connector	RJ45 8/8, including colored boot in PVC
Protection cover	Available on request
Plating	>30µm gold
Mating cycles	>750
Temperature range: installation	0° C to +50° C
Temperature range: operational	-20° C to +70° C
Bending radius	4 x cable OD
Standard lengths	0,5m / 1m / 2m / 3m / 5m / 7,5m 10m / 15m 20m 30m
Other lengths	Available on request
Color	Grey / Blue / Yellow
Standard Components Supplier : Cable	SilverLink, AMP Netconnect, Draka, YFC
Standard Components Supplier : Connectors	SilverLink, AMP Netconnect, Molex, YFC

## LLADLCSM

Singlemode Adaptor LC/APC Duplex

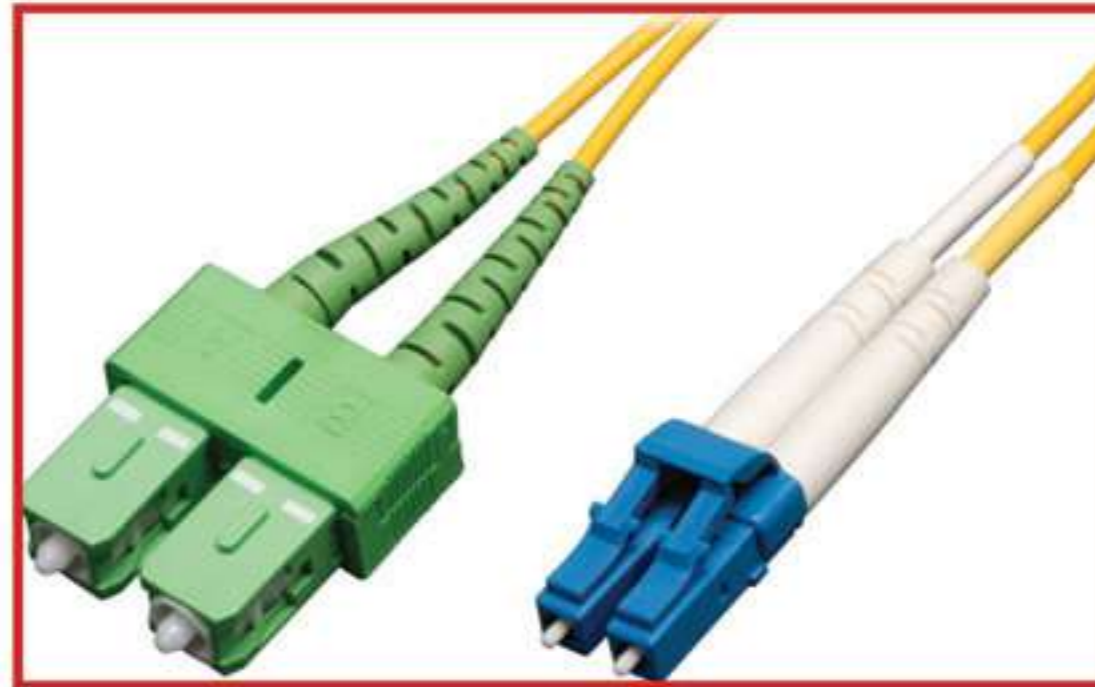


### Specifications

Items	Specifications
Housing material	plastic
Alignment sleeve	ceramic (zirconia)
Insertion loss	< 0,2 dB
Durability	500
Operating temperature	-40°C to +80°C

## LLPCSCLC9

Singlemode Patch cords Duplex SC/APC - LC



### Connector SC/APC Specifications

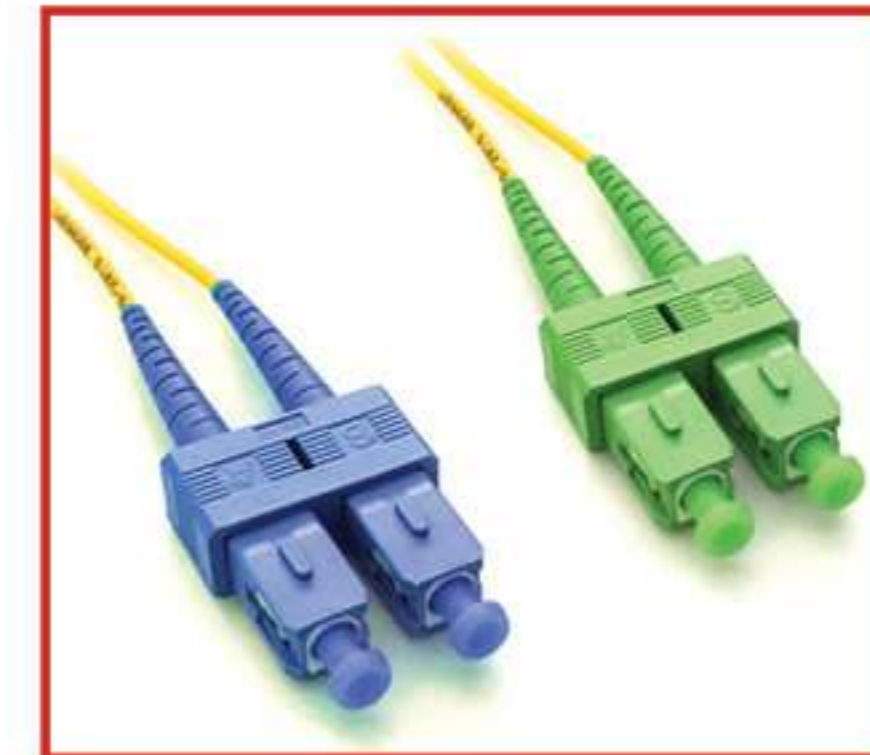
Items	Specifications
Polishing	APC
Return loss	> 65 dB
Insertion loss	0,15 dB (typical)
Ferrule material	ceramic (zirconia)
Ferrule diameter	2,5 mm
Insertion / extraction cycles	Min. 1000

### Connector LC Specifications

Items	Specifications
Polishing	PC
Return loss	≥ 55 dB
Insertion loss	0,15 dB (typical)
Ferrule material	ceramic (zirconia)
Ferrule diameter	1,25 mm
Insertion / extraction cycles	Min. 1000

## LLPCSCSC9

Singlemode Patch cords Duplex SC/APC - SC



### Connector SC/APC Specifications

Items	Specifications
Polishing	APC
Return loss	> 65 dB
Insertion loss	0,15 dB (typical)
Ferrule material	ceramic (zirconia)
Ferrule diameter	2,5 mm
Insertion / extraction cycles	Min. 1000

### Connector SC Specifications

Items	Specifications
Polishing	PC
Return loss	> 55 dB
Insertion loss	0,15 dB (typical)
Ferrule material	ceramic (zirconia)
Ferrule diameter	2,5 mm
Insertion / extraction cycles	Min. 1000

## LLPJLC9

Singlemode Pigtail LC-APC

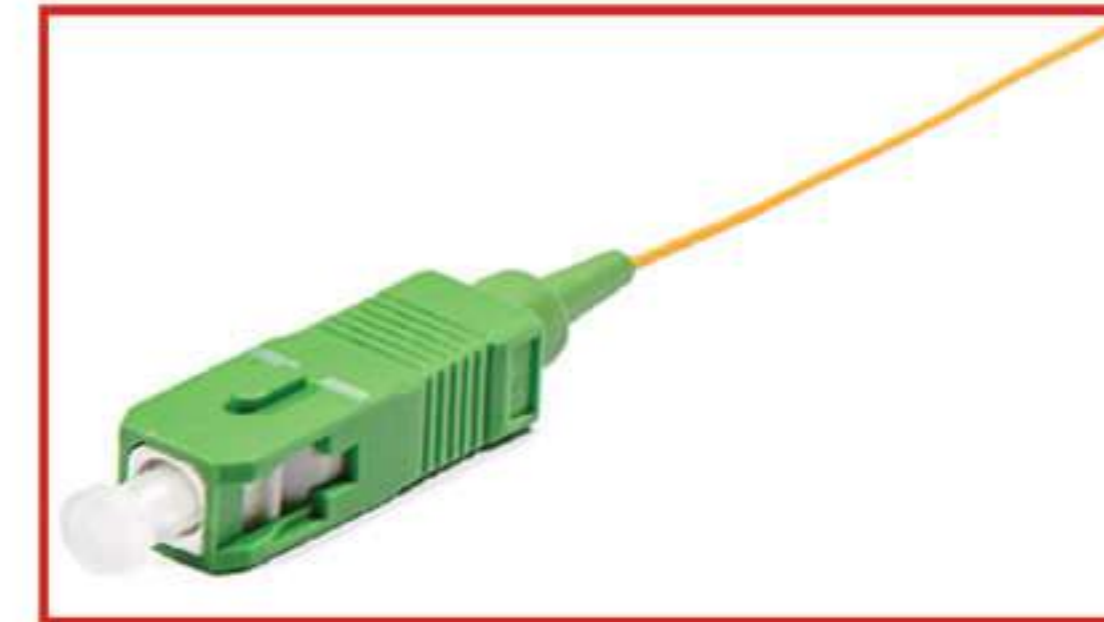


### Specifications

Items	Specifications
Connector type	LC/APC (OS2) 9/125 μm
Polishing	APC
Return loss	> 65 dB
Insertion loss	0,15 dB (typical)
Length	2 m
Sheath material	halogen-free secondary EASySTRIP protection of 900
Ferrule material	ceramic (zirconia)
Ferrule diameter	1,25 mm
Temperature range	-20 °C to +60 °C
Outer diameter	900±5 μm
Bending radius (static)	10 x 0,9 mm
Attenuation @ 850 / 1300 nm (dB/km)	-
Attenuation @ 1310 / 1383 / 1550 nm (dB/km)	≤ 0,4 / ≤ 0,4 / ≤ 0,4
Bandwidth 850 / 1300 nm (MHz.km)	-

## LLPJSC9

Singlemode Pigtail SC-APC

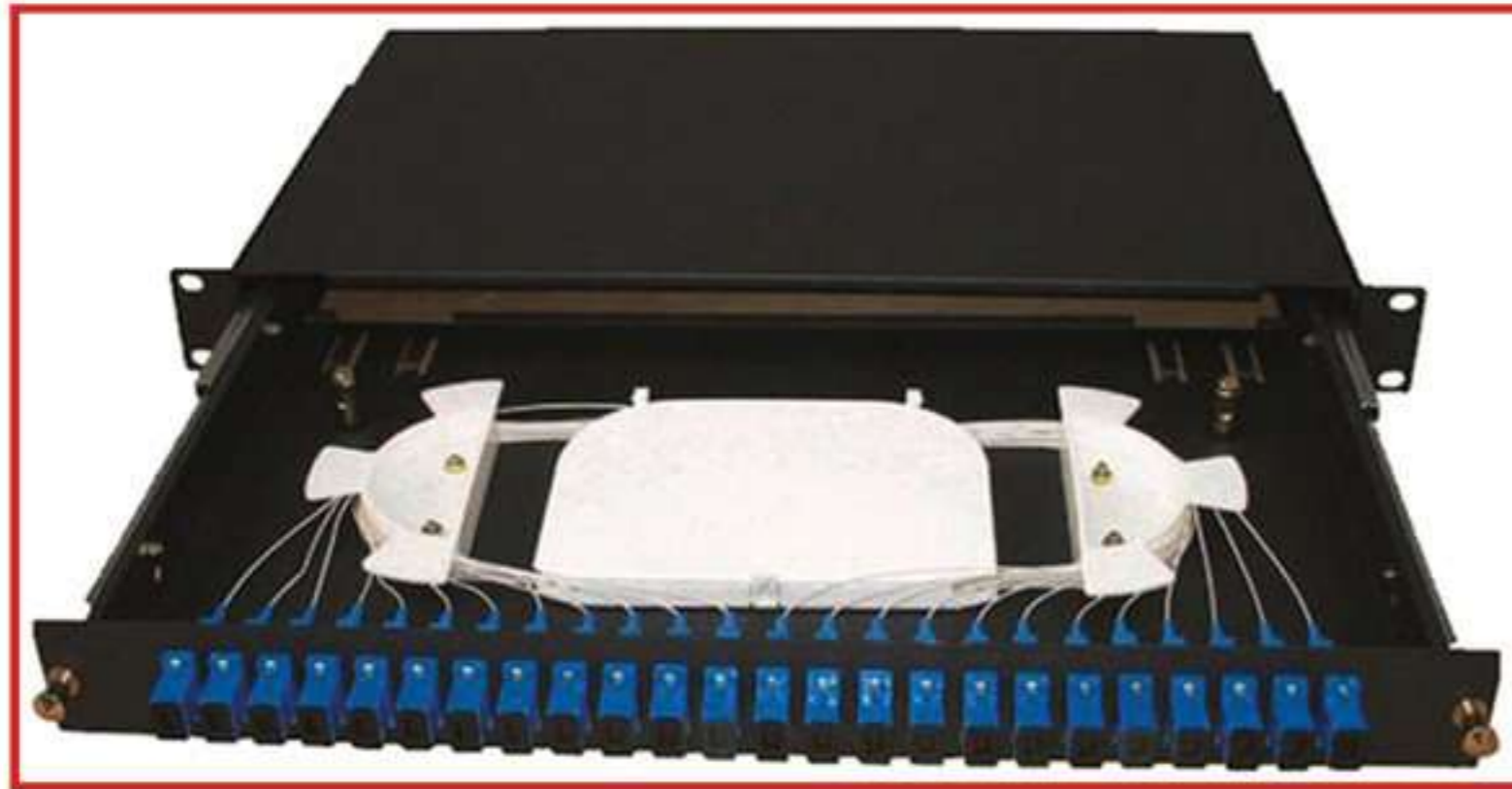


### Specifications

Items	Specifications
Connector type	SC/APC (OS2) 9/125 μm
Polishing	APC
Return loss	> 65 dB
Insertion loss	0,15 dB (typical)
Length	2 m
Sheath material	halogen-free secondary EASySTRIP protection of 900
Ferrule material	ceramic (zirconia)
Ferrule diameter	2,5 mm
Temperature range	-20 °C to +60 °C
Outer diameter	900±5 μm
Bending radius (static)	10 x 0,9 mm
Attenuation @ 850 / 1300 nm (dB/km)	-
Attenuation @ 1310 / 1383 / 1550 nm (dB/km)	≤ 0,4 / ≤ 0,4 / ≤ 0,4
Bandwidth 850 / 1300 nm (MHz.km)	-

## LLPP1ULCLC-24DX

Sliding patch panel  
x LC-LC Duplex 24



## LLPP1USCSC-12/24DX

Sliding patch panel  
x / 24 x SC-SC Duplex 16



### Specifications

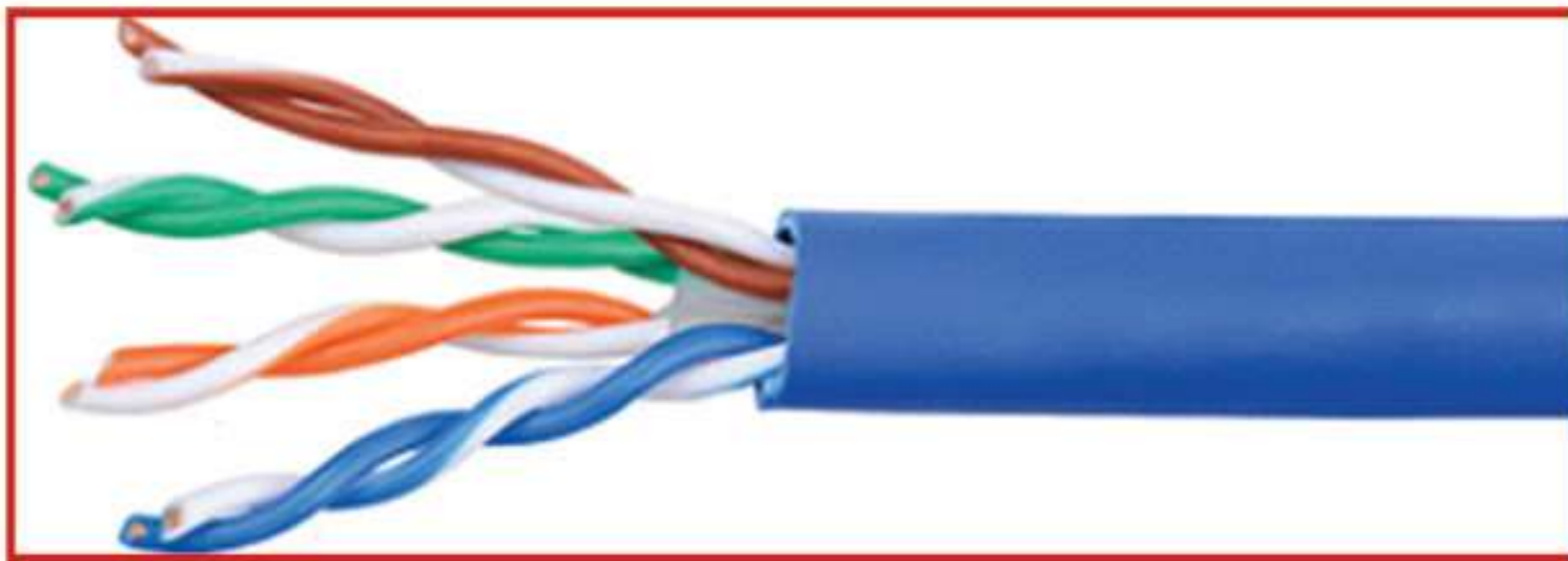
Items	Specifications
Height	1U (44,5 mm)
Width	19" (482,6 mm)
Depth	240 mm
Material	steel
Color	black
Surface	structured, shiny

### Specifications

Items	Specifications
Height	1U (44,5 mm)
Width	19" (482,6 mm)
Depth	240 mm
Material	steel
Color	black
Surface	structured, shiny

## SLCAU6AP-B

UTP Cable Category 6A PVC



### Technical information

Items	Specifications
Electrical performance:	Certified component and channel performance in a 4-conductor configuration to 100 meters and meets/exceeds the requirements of ISO 11801 Class EA ANSI/TIA-568-C.2 Category 6A standards for swept frequencies up to 500 MHz
Conductors/insulators:	23 AWG solid bare copper wire covered by HDPE and Foam PE insulation
Flame rating:	HDPE (LSZH): IEC 60332-1
Segregation classification:	Meets EN 50174-2:2009 segregation classification C
PoE compliance:	Meets IEEE 802.3af and IEEE 802.3at for PoE applications
Installation tension:	110 N (25 lbf) maximum
Temperature rating:	-20°C to 75°C (-4°F to 167°F)
Cable jacket:	HDPE (LSZH): low smoke flame retardant PO
Cable diameter:	8.6mm (0.339 in.)
Cable weight:	20.4 kg/305m (45 lbs./1000 ft.)
Packaging:	21.5 kg/305m (47.4 lbs./1000 ft.) on a reel Packaged tested to ISTA Procedure 1

### Key features and benefits

Items	Specifications
Extended temperature range:	Allows operation in a 75°C ambient environment providing error free performance in high-density
Innovative pair divider:	Separates pairs for exceptional cable performance and also improves crosstalk by creating spacing between cables when bundled
Descending length cable markings:	Easy identification of remaining cable reduces installation time and cable scrap
Bulk packaging:	Supplied 305m (1000 ft.) to a reel

### Mechanical Test

Ultimate Breaking Strength	>400 N (90 lbf)
Minimum Bend Radius	4 x cable diameter

### Specifications

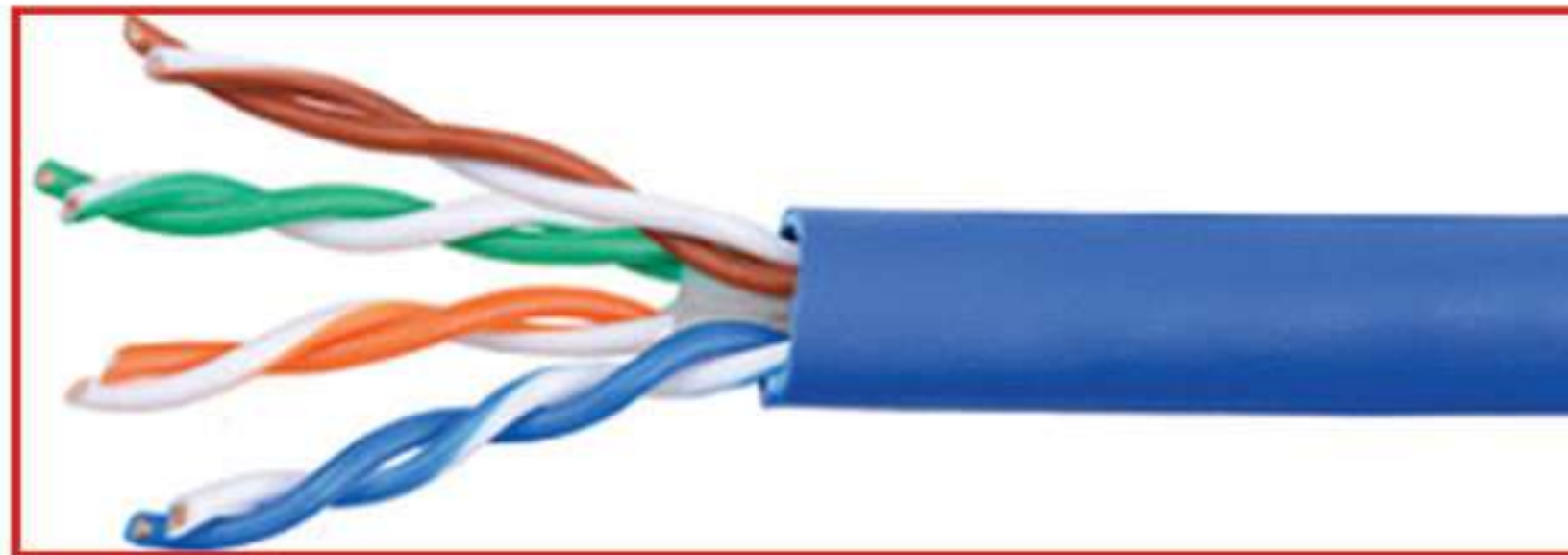
Items	Specifications
Height	1U (44,5 mm)
Width	19" (482,6 mm)
Depth	240 mm
Material	steel
Color	black
Surface	structured, shiny

### Electrical Test

DC Resistance	<9.38 ohm per 100m (328 ft.)
DC Resistance Unbalance	<5%
Mutual Capacitance	<5.6 nF per 100m (328 ft.) at 1 KHz
Capacitance Unbalance	<330 pF per 100m (328 ft.) at 1 kHz
Characteristic Impedance	100 Ohm +/-15% up to 100 MHz
Nominal Velocity of Propagation (NVP)	68% nominal

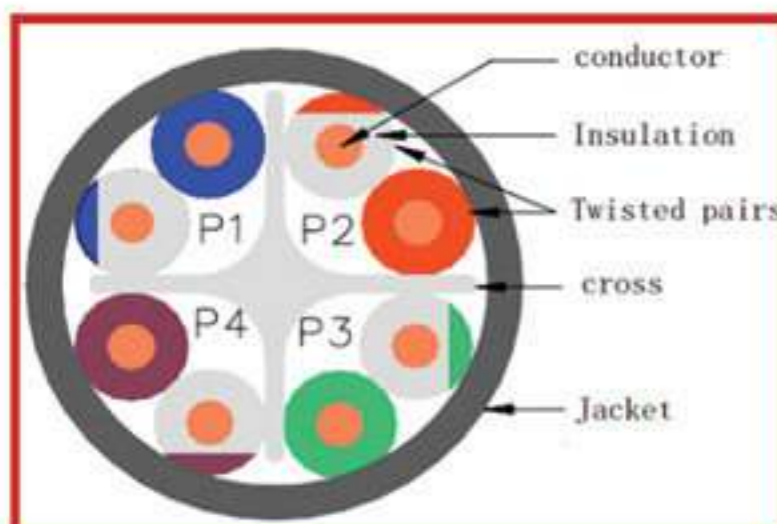
## SLCAU6P-B

UTP Cable Category 6 PVC



### Product Overview

Fumo Category 6 UTP cables are manufactured and tested to the TIA/EIA 568-B.2-1, EN50173-1 and ISO/IEC 11801 Category 6 Specifications. Each cable consists of 8 color coded 23AWG polyethylene insulated conductors. These are twisted together to form 4 pairs with varying lay lengths. These pairs are then formed around a central 'X' shaped polyethylene filler. This filler assists in maintaining and enhancing the cables performance.



### Pairing

- 1: Blue + White/Blue
- 2: Orange + White/Orange
- 3: Green + White/Green
- 4: Brown + White/Brown

### Specifications

Items	Specifications
Conductor:	Bare Copper
4 Twisted Pair:	8C
AWG:	23
Construction:	1/0.58 mm
Stranded Dia.:	0.6 mm
Insulation:	PE
Nom. Thickness:	0.21 mm
Insulation Dia. ±0.005:	0.945/0.975
Separator:	PE Cross
Jacket:	PVC
Nom. Thickness:	0.58 mm
Outer Dia. ±0.2:	6.6 mm

### Performance

Items	Specifications
Electrical Characteristics:	20°C
Max. conductor DC Resistance:	#23:93:8 /Km
Min. Insulation Resistance:	PE:100M /Km
Dielectric Strength AC-00/1 MIN:	No Breakdown
D-C resistance unbalance: max.	2%
Pair-to-ground Capacitance Unbalance: max.	330PF/100M
Input Impedance 4 – 100 MHz	100+/-15ohm
Input Impedance 4 – 250 MHz	100+/-22ohm
Mean Characteristic Impedance @ 100 MHz	100+/-5ohm
Nominal Velocity of Propagation (NVP)	68+/-2%
Propagation Delay @100 MHz	≥537.6 ns/100M
Propagation Delay Skew: max.	≥45 ns/100M

### Physical Properties

Items	Specifications
Insulation: Tens Strength (before aging)	>1.68 Kg/mm <sup>2</sup>
Insulation: Elongation (before aging)	>300%
Jacket: Tens Strength (before aging)	>1.41 Kg/mm <sup>2</sup>
Jacket: Elongation (before aging)	>100%
Conductor Resistance	<93.8 Ω/Km (20°C)
Insulation Shrink-back	121 °C x1hr
Insulation Cold Bend	-20 °C x4hr
Jacket Cold Bend	-20 °C x4hr

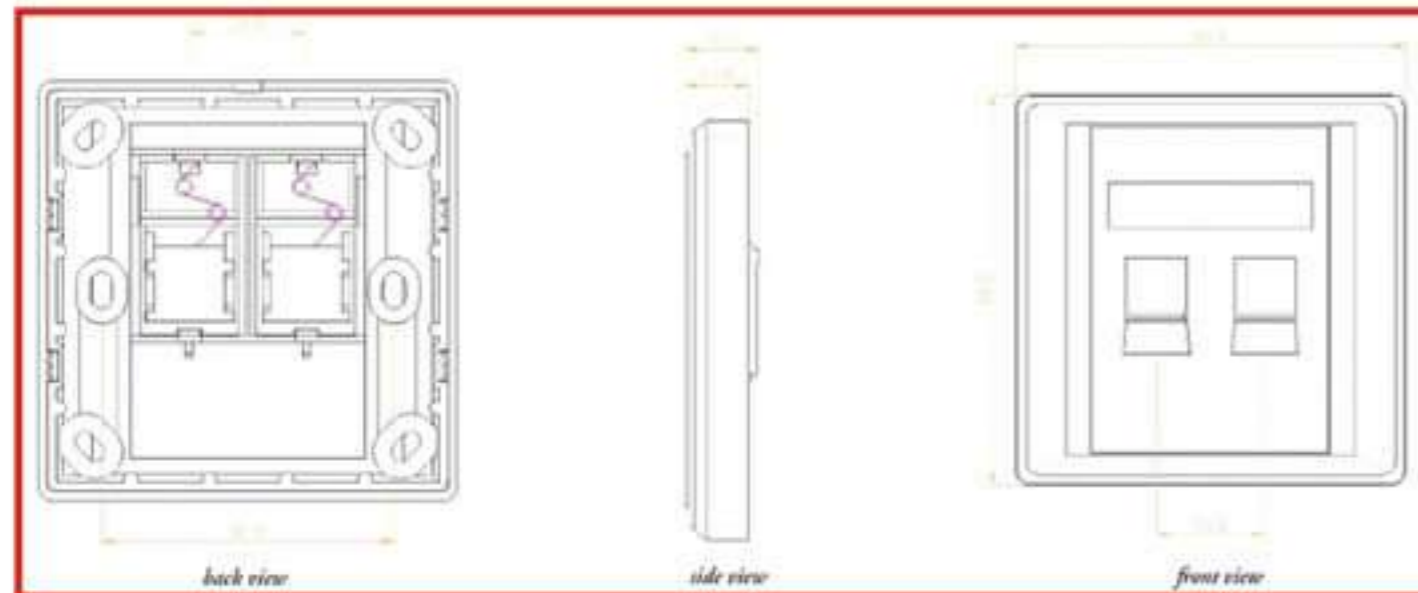
## SLFP2US

Outlet 180° 2x RJ45 keystone-style, unshielded, wall-mount



### Product Overview

All outlets of/and the final product itself are designed and tested in accordance with the requirements of EN60603-7, recommendations of international standards for structured cabling, ISO/IEC1181 2ndEd., EN50173-1:2002 and EIA/TIA568A & B2.0/2.1.



### Specifications

Items	Specifications
System	Unshielded
Performance ranges	Cat. 5e, Cat. 6
Connectors	All types
Styles	86mm x 86mm 180°
Other styles	Available on request
Material of face plate	Plastic-compound
Material of body frame	Plastic-compound
Montage	Wall-mount
Connection of inserting connectors	Push-pull, RJ-lock device
Colors	White
Other colors	Available on request

## SLJMU6-x

RJ45-jack keystone version, unshielded, category 6 – 250MHZ, tool-less



### Product Overview

This hi-performance unshielded RJ 45-jack in keystone-version is designed to fulfill and exceed Cat.6 requirements of standard IEC 60603-7 – as well as Class E described in international structured cabling standards – ISO/IEC 11801 2nd ED., EN 50173-1:2002, TIA/EIA 568-B.2.1. Suitable transmission of digital and analogue (voice, data and video signals). The design supports ISDN, Ethernet 10BaseT, 100BaseT, Token Ring, 4/16/100 Mbit/s, TP-PMD/TP-DDI 125 Mbit/s and ATM 155 Mbit/s.

### Specifications

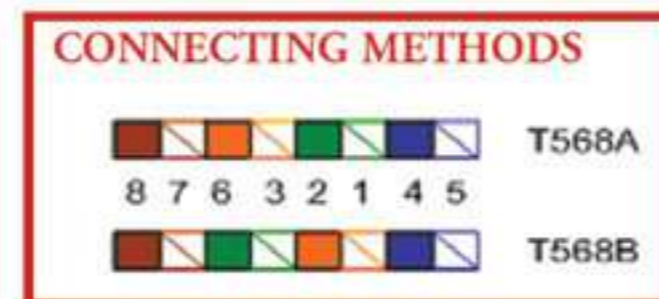
Items	Specifications
Characteristics	RJ45 (contacts 1-8)
Allocation	4-pairs
Contacts	110 Type punch down or Krone type
Conductor section	AWG 22 – AWG 26 solid/stranded
Color code	TIA/EIA 568A & 568B
Housing	High impact, flame retardant plastic, UL94V-0 rated
Spring wire/contact blades	Phosphor/Bronze alloy
Contact plating	50µinch nickel
Insulation resistance	> 10MΩ
Dielectric withstanding voltage	1000V/RMS/60Hz 1min
Contact resistance	<20mΩ
Current rating	1,5amps at 20 °C
Temperature range Storage	-40 °C to +70 °C
Temperature range Operational	-10 °C to +60 °C
Relative humidity (oper.)	Max. non-condensing 93%
Lifetime	>750 insertion cycles
Number of IDC terminations	>200

## SLPPU6F1U24

Patch panel 1U 19", 24xRJ45, Category 6-250 MHz, unshielded

### Product Overview

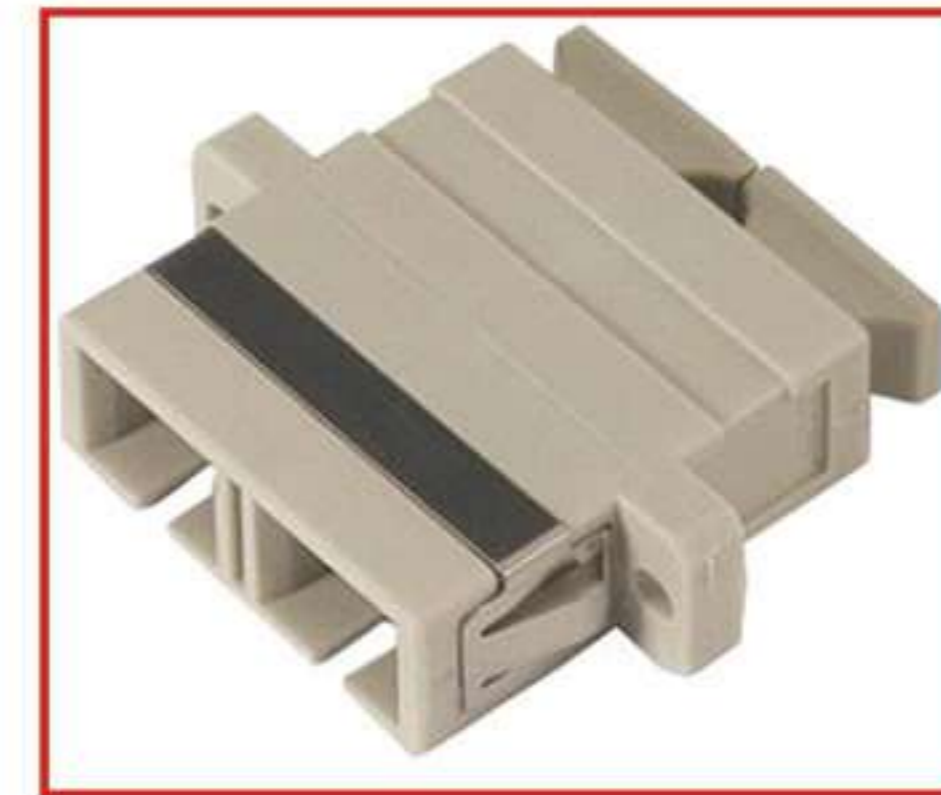
This hi-performance patch panel, 1 height unit, 19" width, 24 x RJ45 connectors Cat.6 / 250MHz is designed to fulfill and exceed Cat. 5e requirements of standard IEC 60603-7 – as well as Class E described in international structured cabling standards – ISO/IEC 11801 2nd Ed., EN 50173-1:2002, TIA/EIA 568-B2.1. Suitable transmission of digital and analogue (voice, data and video signals). The design supports ISDN, Ethernet 10BaseT, 100BaseT, 1000BaseT, Token Ring 4/16/100 Mbit/s, TP-PMD/TP-DDI 125 Mbit/s and ATM 155 Mbit/s. for Gigabit Ethernet applications. Available colors: black (customized colors and logo-prints are available on request)



Items	Specifications
Total mating force	≥800gr for 8 wire leads
Retention	≥30lbs between the jack & plug
Operating life	≥750 insertion cycles
Number of IDC terminations	≥200
Housing	High impact, flame retardant plastic
Spring wire/ contact blades	Phosphor/Bronze alloy
Contact plating	30µm gold/100inch nickel
Plate	SPCC-SD 16G
Insulation resistance	≥10MΩ
Dielectric withstanding voltage	1000 V / RMS / 60Hz 1min.
Contact resistance	≤20mΩ
Current rating	1,5amps at 20°C
Temperature range: Storage	-40°C to +70°C
Temperature range: Operational	-10°C to +60°C
Relative humidity (oper.)	Max. non-condensing 93%

## LLADSCSM

Singlemode Adaptor SC/APC Duplex



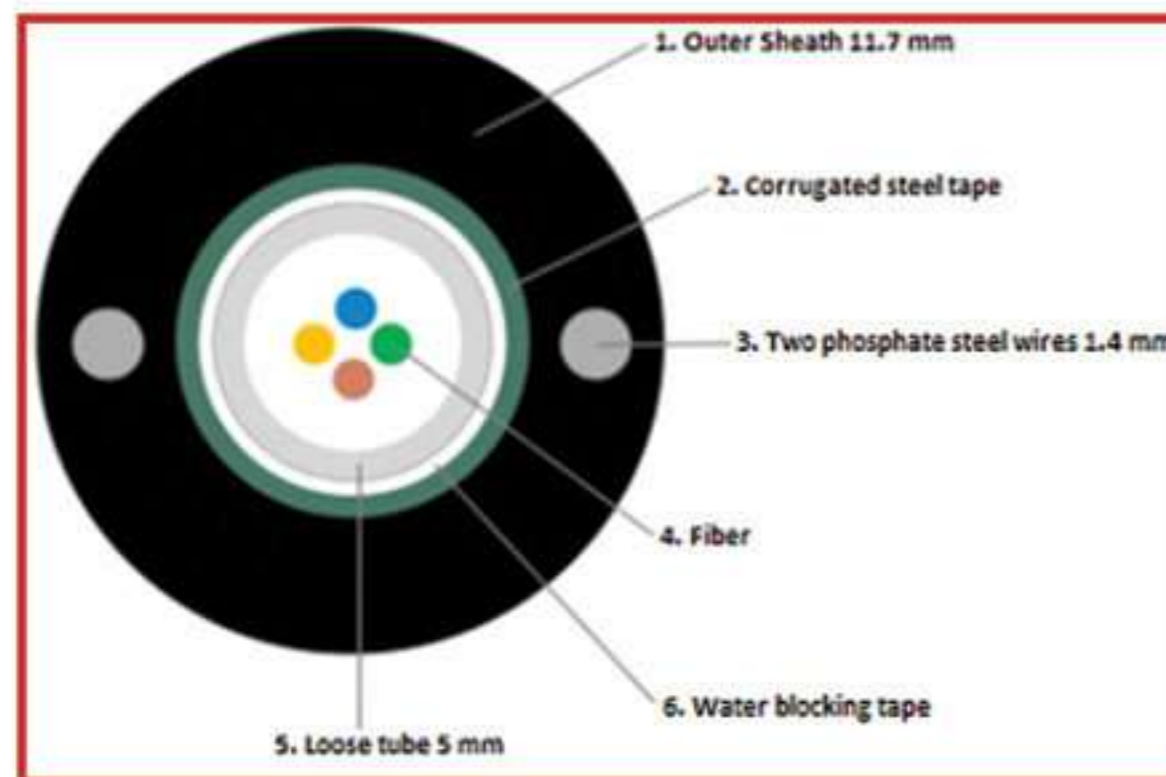
### Specifications

Items	Specifications
Housing material	plastic
Alignment sleeve	ceramic (zirconia)
Insertion loss	< 0,2 dB
Durability	500
Operating temperature	-40°C to +80°C

## LLCAU9+



### Armored – Singlemode 9/125 OS1 & OS2



#### Product Overview

Fumo corrugated steel tape (CST) armored loose tube optical fiber cables have been designed specifically for applications requiring a high degree of mechanical protection. The singlemode fiber is G.652.D compliant low water peak grade offering both OS1 & OS2 performance. These compact, lightweight cables are extremely rugged, provide rodent resistance and are quick and easy to install. The cables are constructed around a silica gel filled tube(s) containing up to 24 color coded 250µm primary coated 9/125 fibers.

#### Fiber Parameters

Items	Specifications G.652.D
Mode Field Diameter 1310nm	9.2±0.4 µm
Mode Field Diameter 1550nm	10.4±0.5 µm
Cladding Diameter	124.8±0.7 µm
Cladding Non-Circularity	≤0.7 %
Core-Cladding Concentricity Error	≤0.5 µm
Coating Diameter	245±5 µm
Coating Non-Circularity	≤6.0 %
Coating-Coating Concentricity Error	≤12.0 µm
Cable Cutoff Wavelength	$\lambda_{cc} \leq 1260$ nm
Attenuation (max.) 1310nm	≤0.36 dB/Km
Attenuation (max.) 1550nm	≤0.22 dB/Km

#### Cable Parameters

Items	Specifications
Fiber Count	2 - 24
Colored Coating Fiber Dimension	250µm±15µm
Colored Coating Fiber Color	Blue, Orange, Green, Brown
Loose Tube Dimension	5.00mm±0.05mm
Loose Tube Material	PBT
Loose Tube Color	Natural
Filler Dimension	NO Filler
Filler Material	NO Filler
Filler Color	NO Filler
Steel Wire Diameter	1.4mm
Steel Wire Material	Phosphate steel wire
Outer Jacket Dimension	11.7mm±0.25mm
Outer Jacket Material	PE
Outer Jacket Color	Black

#### Mechanical and Environmental Characteristics

Items	Specifications
Tension (Long Term)	600 N
Tension (Short Term)	1500 N
Crush (Long Term)	300 N/10cm
Crush (Short Term)	1000 N/cm
Min. Bend Radius (Dynamic)	20D mm
Min. Bend Radius (Static)	10D mm
Installation Temperature	-20~+60 °C
Operating Temperature	-40~+70 °C
Storage Temperature	-40~+70 °C

## LLCAU50+



### Product Overview

1. Fiber(Fiber characteristic)  
Cladding diameter:  $125.0 \pm 0.1$   
Fiber characteristics: Diameter:  $242 \pm 7 \mu\text{m}$   
UV color fiber: Standard chromatogram:  
Blue,Orange,Green,Brown,Gray/Slate,White,Red,Black,Yellow,Violet,Rose/Pink,Aqua
2. Tube filling compound(Gel)
3. PBT loose tube of 2-24 core  
Tube thickness:  $0.3 \pm 0.05\text{mm}$  Diameter:  $3.0 \pm 0.1 \mu\text{m}$
4. Phosphoric steel wire Diameter:  $1.2\text{mm} \times 2$
5. Longitudinal water-proof tape  
Thickness \*Widen:  $0.25 \times 12\text{mm}$
6. Longitudinal corrugated steel tape laminated with polyethylene on both sides  
Corrugated steel Thickness :  $0.4 \pm 0.015$   
Steel thickness:  $0.15 \pm 0.015$
7. Black PE out jacket  
Diameter:  $9.5 \pm 0.20\text{mm}$

Fumo corrugated steel tape (CST) armored loose tube optical fiber cables have been designed specifically for applications requiring a high degree of mechanical protection. These compact, lightweight cables are extremely rugged and are quick and easy to install. The cables are constructed around a silica gel filled tube(s) containing up to 24 color coded 250 $\mu\text{m}$  buffered 50/125 fibers.

Items	Specifications
Fiber Count	2-24core
Nominal weight	70 g/m
Max. Tension (Long Term)	600 N
Max. Tension (Short Term)	1500 N
Max. Crushing Resistance	1000 N/100 mm <sup>2</sup>
Temperature range	-40 °C -- + 70 °C
Min. Bend Radius (Install)	20D
Min. Bend Radius (Static)	10D



## Enterprise Racks

# 03

[WWW.FUMOTELECOM.DE](http://WWW.FUMOTELECOM.DE)



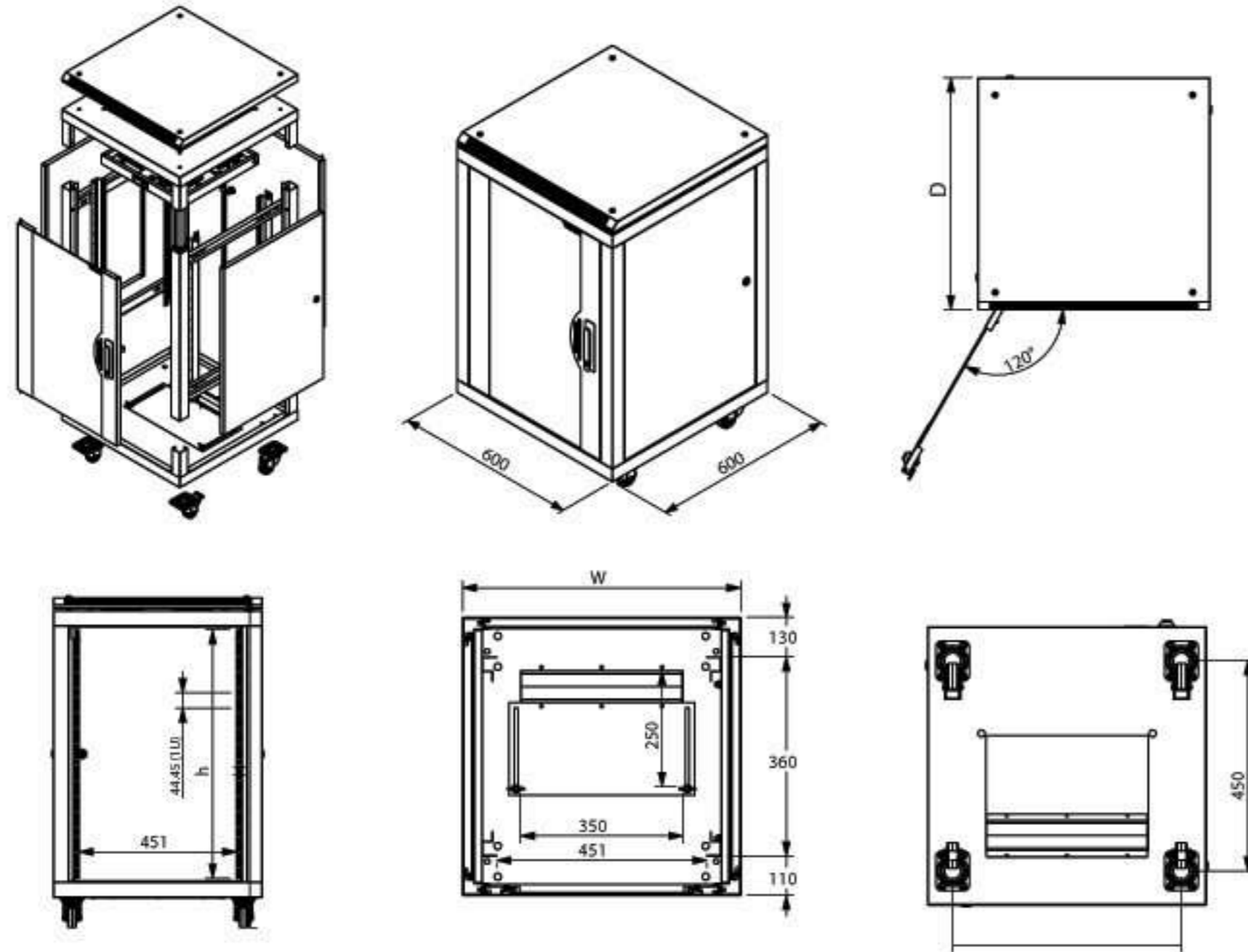
# FUMOLINE 600x600



19" 600 x 600 Fumoline Kabinet Genişlik - Width: 600 mm / Derinlik - Depth: 600 mm

Stok No	U	h	H	KG
HMRC-16U60*60	16	714	942	46
HMRC-20U60*60	20	892	1120	52
HMRC-26U60*60	26	1158	1386	65
HMRC-32U60*60	32	1425	1653	75
HMRC-36U60*60	36	1603	1831	81
HMRC-39U60*60	39	1736	1964	86
HMRC-42U60*60	42	1870	2098	91
HMRC-44U60*60	44	1955	2182	94

U: Unit (1U=44,45mm) / h: İç Yükseklik - Inside Height (mm) / H: Tekerlek Dahil Dış Yükseklik - Outside Height (mm)



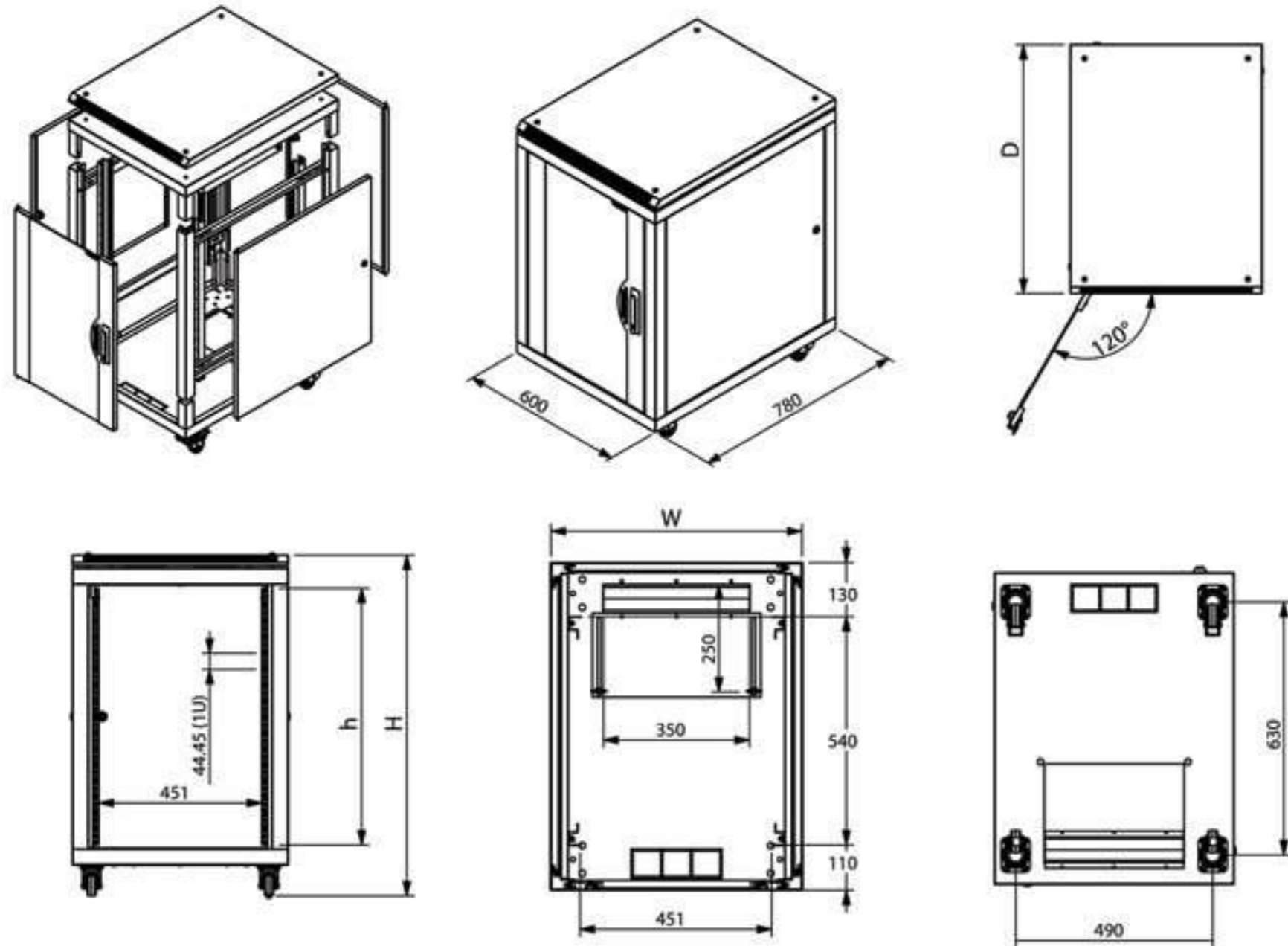
# FUMOLINE 600x800



19" 600 x 800 Fumoline Kabinet Geniřlik - Width: 600 mm / Derinlik - Depth: 780 mm

Stok No	U	h	H	KG
HMRC-16U60*60	16	714	942	54
HMRC-20U60*60	20	892	1120	62
HMRC-26U60*60	26	1158	1386	72
HMRC-32U60*60	32	1425	1653	83
HMRC-36U60*60	36	1603	1831	89
HMRC-39U60*60	39	1736	1964	94
HMRC-42U60*60	42	1870	2098	100
HMRC-44U60*60	44	1955	2182	104

U: Unit (1U=44,45mm) / h: İ Ykseklik - Inside Height (mm) / H: Tekerlek Dahil Dış Ykseklik - Outside Height (mm)



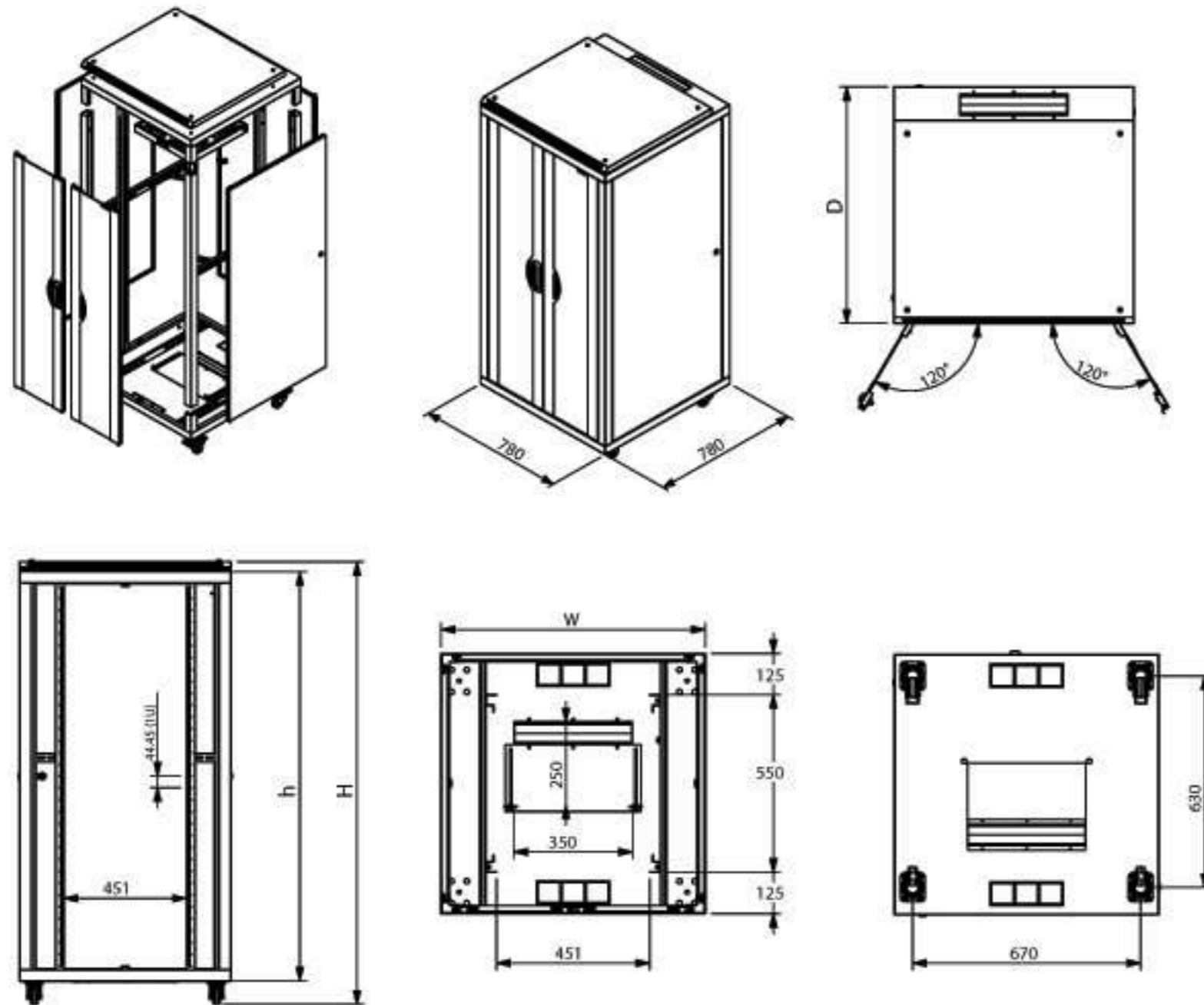
# FUMOLINE 800x800



19" 800 x 800 Fumoline Kabinet Geniřlik - Width: 780 mm / Derinlik - Depth: 780 mm

Stok No	U	h	H	KG
HMRC-26U80*80	26	1158	1386	88
HMRC-32U80*80	32	1425	1653	102
HMRC-36U80*80	36	1603	1831	111
HMRC-39U80*80	39	1736	1964	117
HMRC-42U80*80	42	1870	2098	123
HMRC-44U80*80	44	1955	2182	127

U: Unit (1U=44,45mm) / h: İ Yükseklik - Inside Height (mm) / H: Tekerlek Dahil Dış Yükseklik - Outside Height (mm)



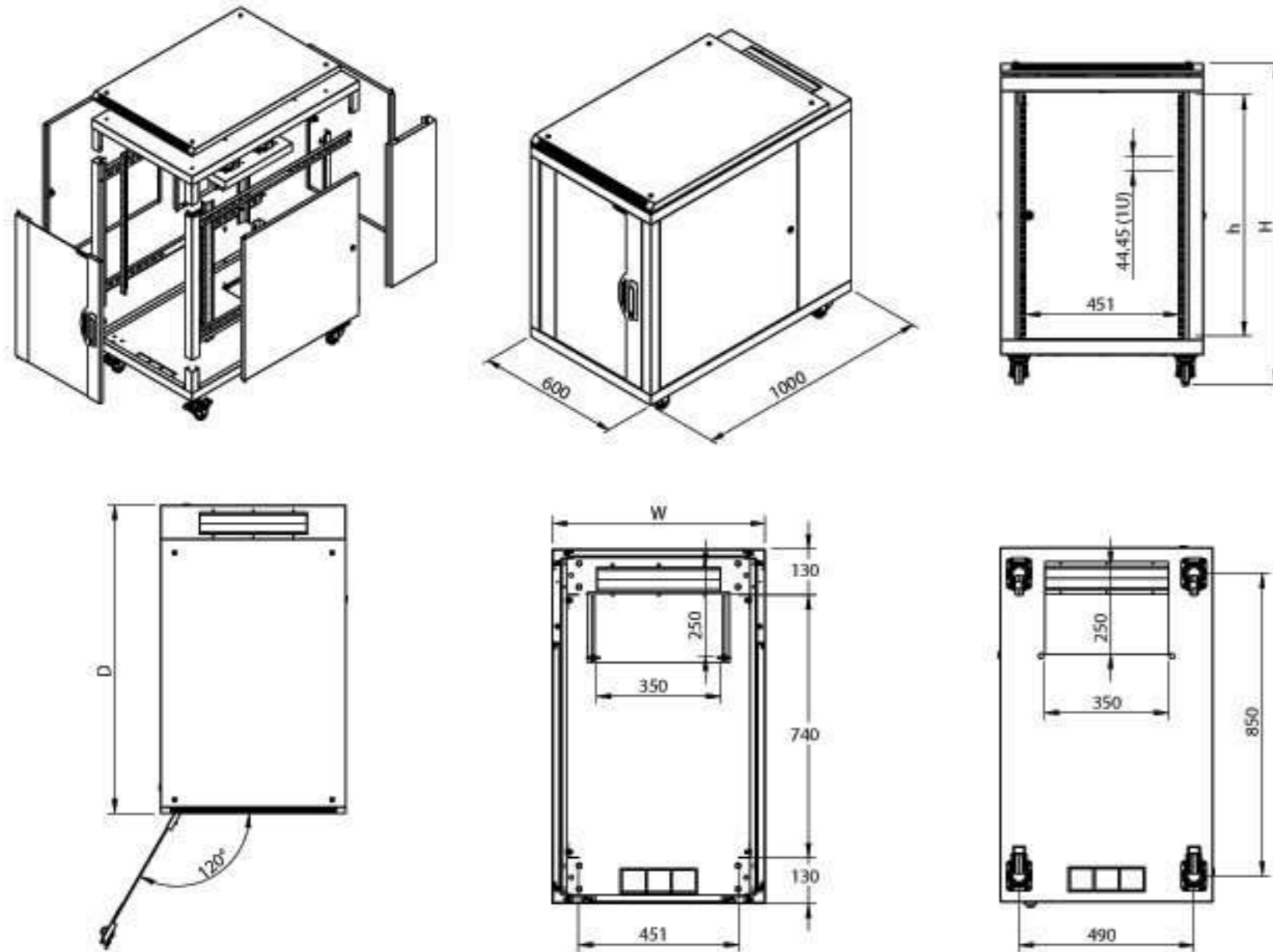
# FUMOLINE 600x1000



19" 600 x 1000 Fumoline Kabinet Genişlik - Width: 600 mm / Derinlik - Depth: 1000 mm

Stok No	U	h	H	KG
HMRC-16U60*100	16	714	942	65
HMRC-20U60*100	20	892	1120	72
HMRC-26U60*100	26	1158	1386	82
HMRC-32U60*100	32	1425	1653	95
HMRC-36U60*100	36	1603	1831	103
HMRC-39U60*100	39	1736	1964	108
HMRC-42U60*100	42	1870	2098	114
HMRC-44U60*100	44	1955	2182	118

U: Unit (1U=44,45mm) / h: İç Yükseklik - Inside Height (mm) / H: Tekerlek Dahil Dış Yükseklik - Outside Height (mm)



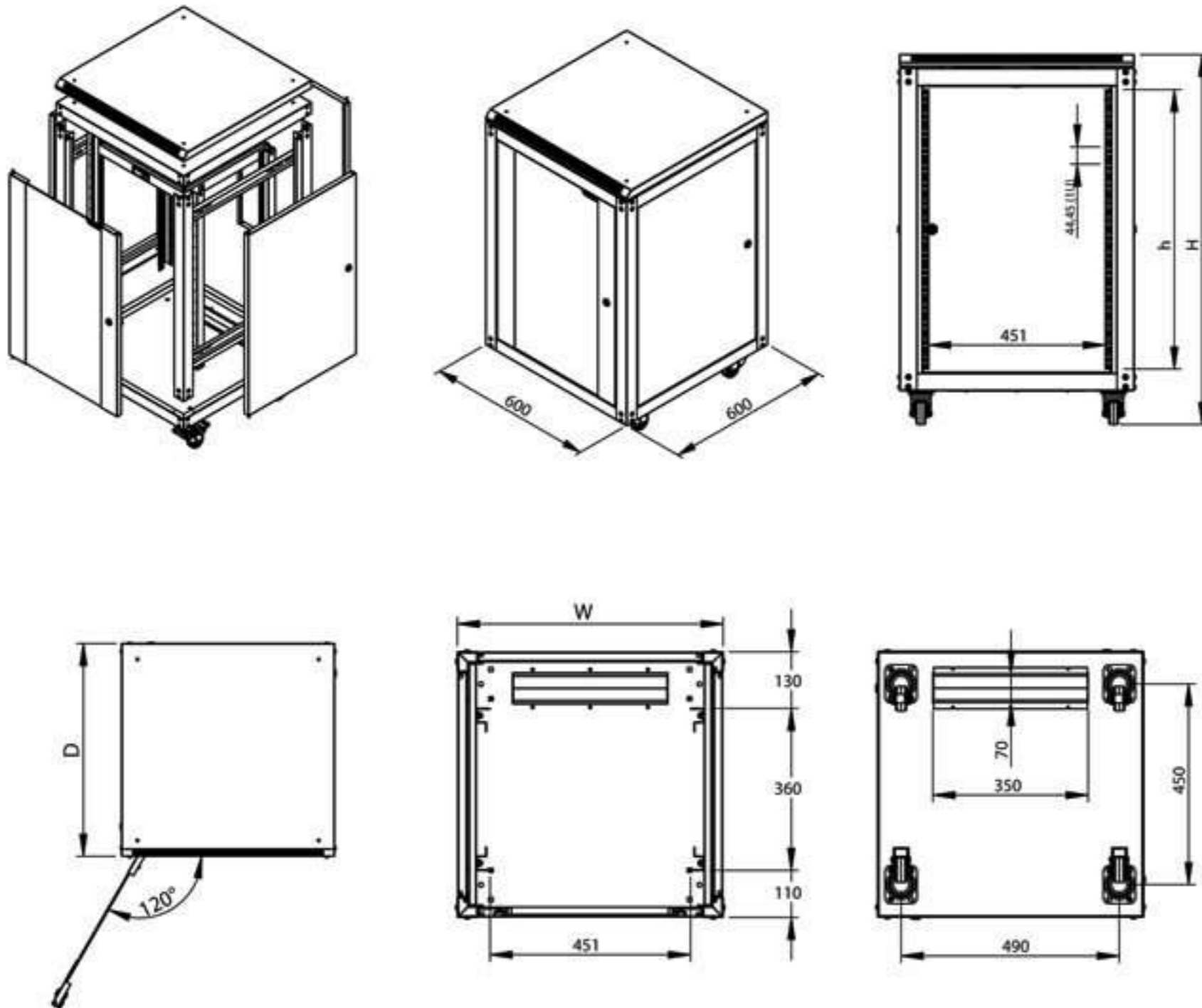
# NETLINE 600x600



19" 600 x 600 Netline Kabinet Genişlik - Width: 600 mm / Derinlik - Depth: 600 mm

Stok No	U	h	H	KG
HMRC-12U60*60	12	536	764	39
HMRC-16U60*60	16	714	942	45
HMRC-20U60*60	20	892	1120	51
HMRC-26U60*60	26	1158	1386	60

U: Unit (1U=44,45mm) / h: İç Yükseklik - Inside Height (mm) / H: Tekerlek Dahil Dış Yükseklik - Outside Height (mm)



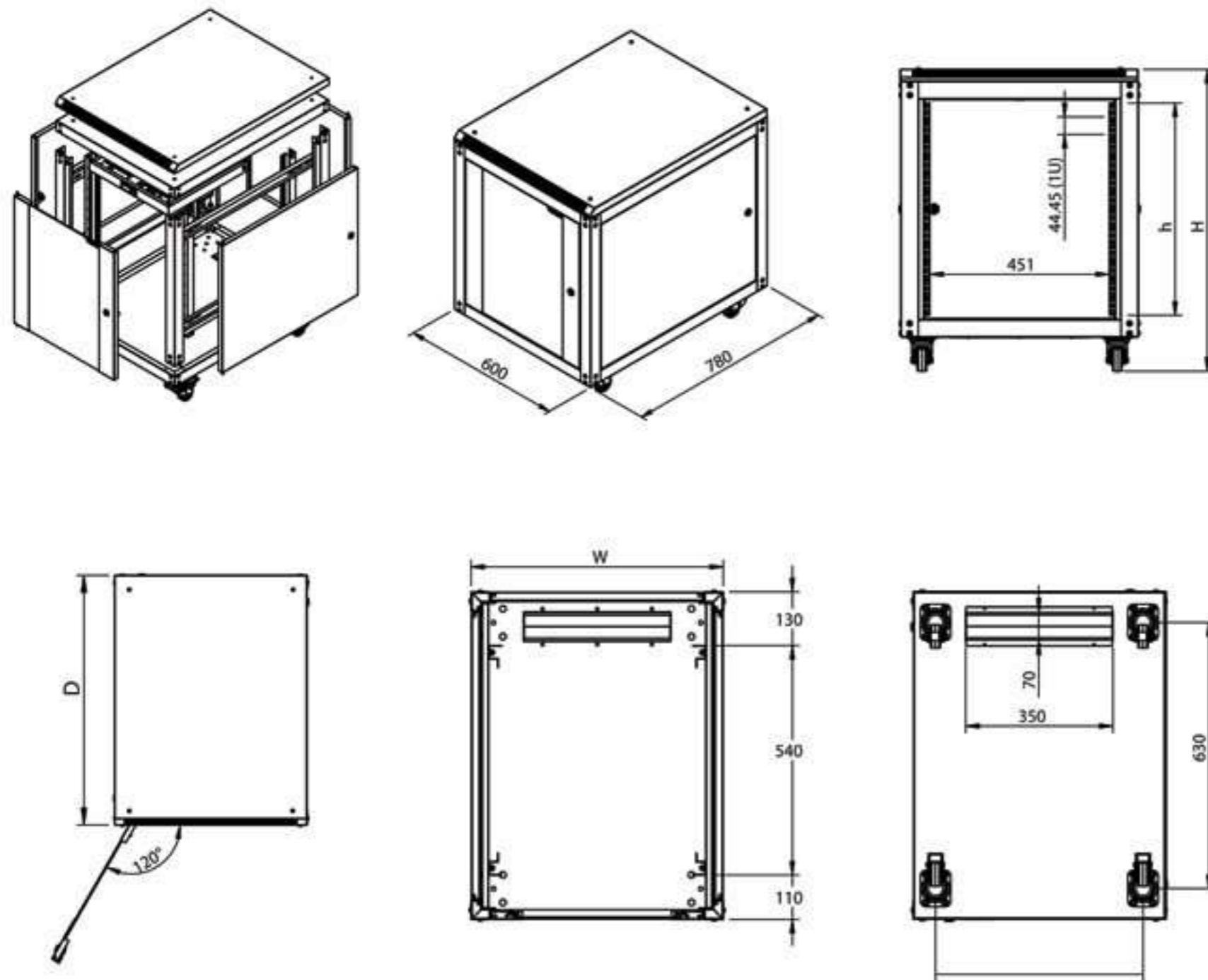
# NETLINE 600x800



19" 600x800mm Netline Kabinet Genişlik - Width: 600 mm / Derinlik - Depth: 780 mm

Stok No	U	h	H	KG
HMRC NET-12U60*80	12	536	764	45
HMRC NET-16U60*80	16	714	942	53
HMRC NET-20U60*80	20	892	1120	61
HMRC NET-26U60*80	26	1158	1386	71

U: Unit (1U=44,45mm) / h: İç Yükseklik - Inside Height (mm) / H: Tekerlek Dahil Dış Yükseklik - Outside Height (mm)



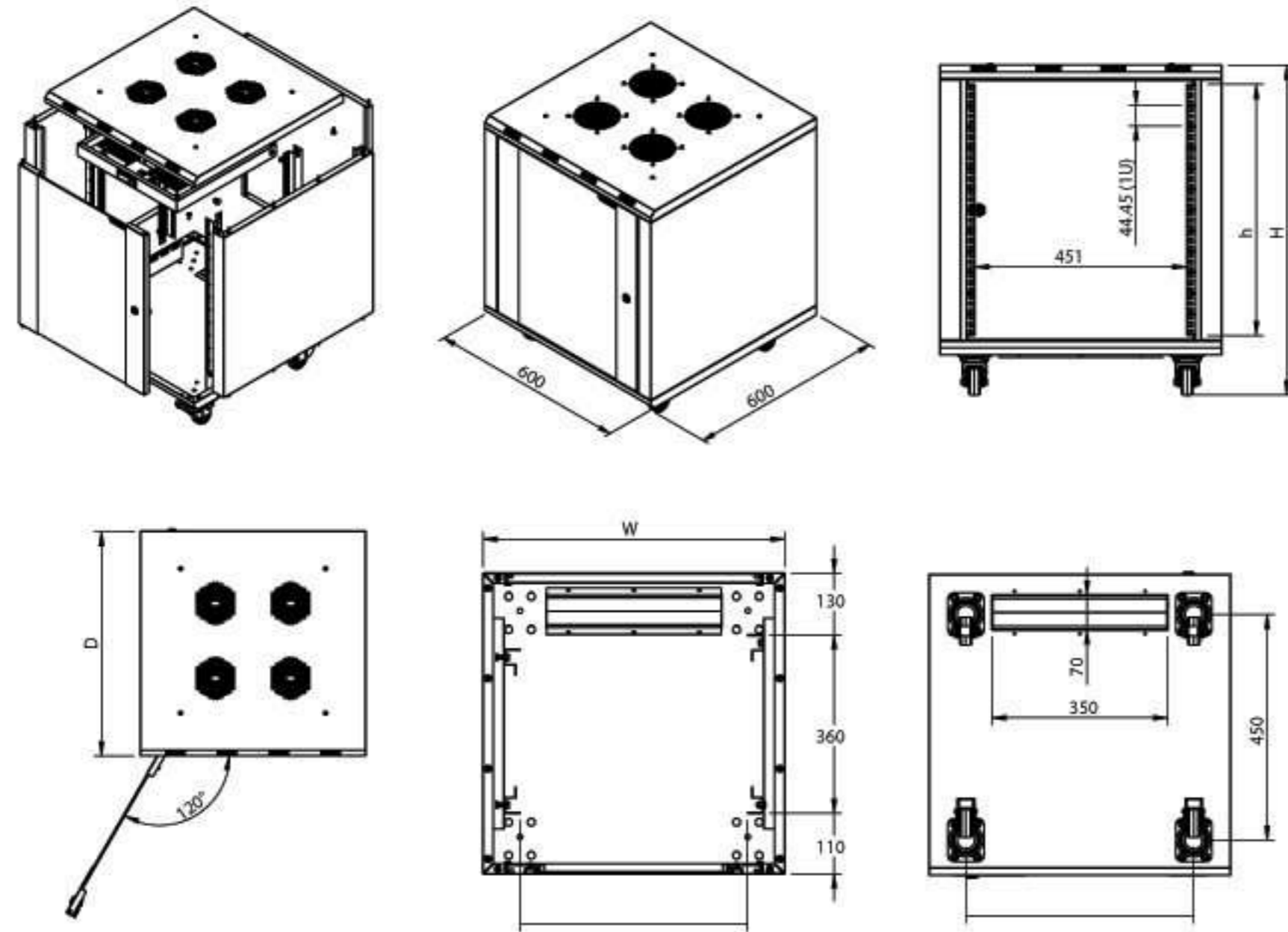
# RACKLINE 600x600



19" 600 x 600 Rackline Cabinet Genişlik - Width: 600 mm / Derinlik - Depth: 600 mm

Stok No	U	h	H	KG
HMRC RK - 12U60*60	12	536	700	29
HMRC RK - 16U60*60	16	714	877	34
HMRC RK - 20U60*60	20	892	1055	39
HMRC RK - 26U60*60	26	1158	1321	47

U: Unit (1U=44,45mm) / h: İç Yükseklik - Inside Height (mm) / H: Tekerlek Dahil Dış Yükseklik - Outside Height (mm)



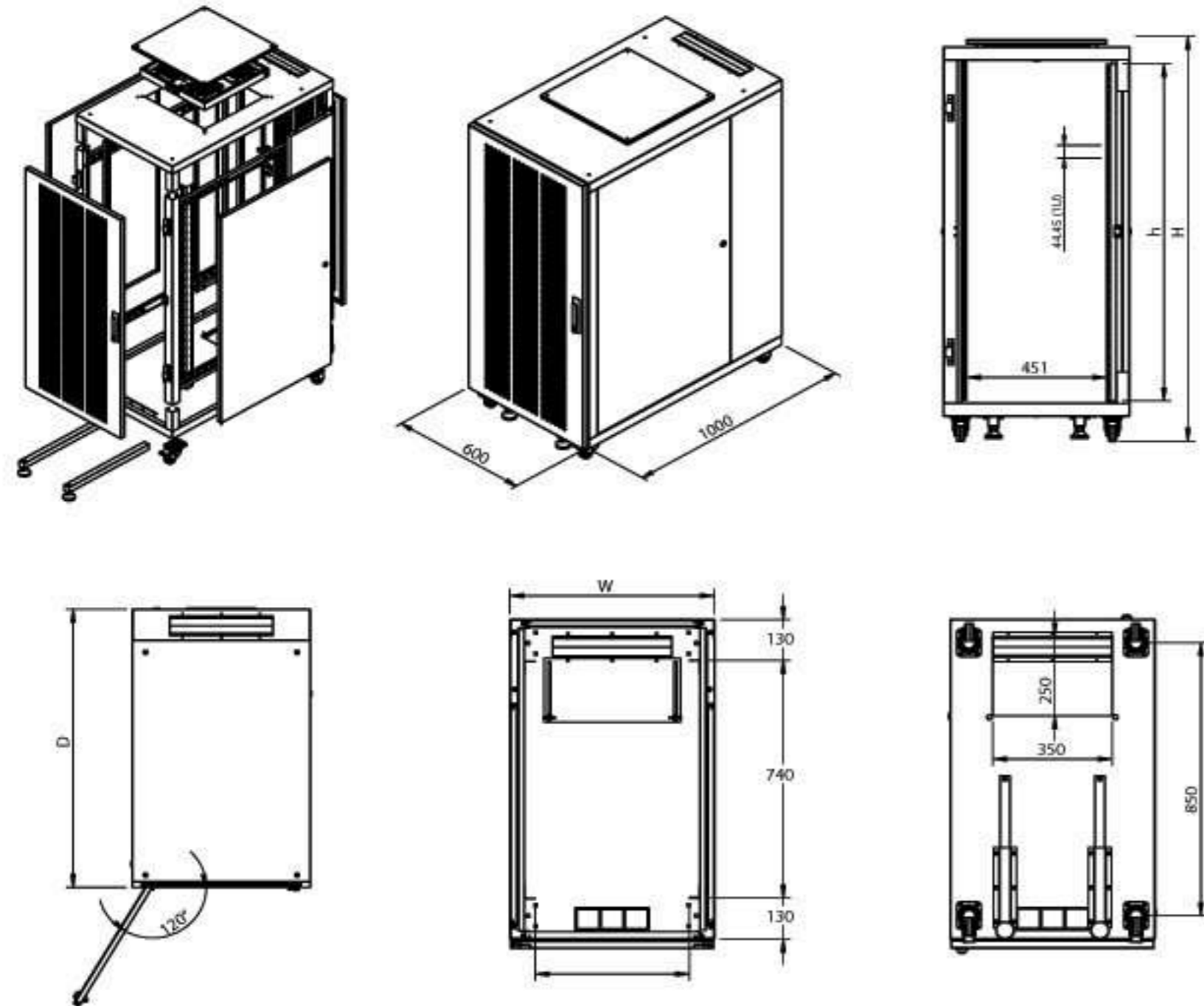
# SERVER 600x1000



19" 600 x 1000 Server Kabinet Genişlik - Width: 600 mm / Derinlik - Depth: 1000 mm

Stok No	U	h	H	KG
HMRC SC-26U60*100	26	1158	1386	79
HMRC SC-32U60*100	32	1425	1653	91
HMRC SC-42U60*100	42	1870	2098	106

U: Unit (1U=44,45mm) / h: İç Yükseklik - Inside Height (mm) / H: Tekerlek Dahil Dış Yükseklik - Outside Height (mm)



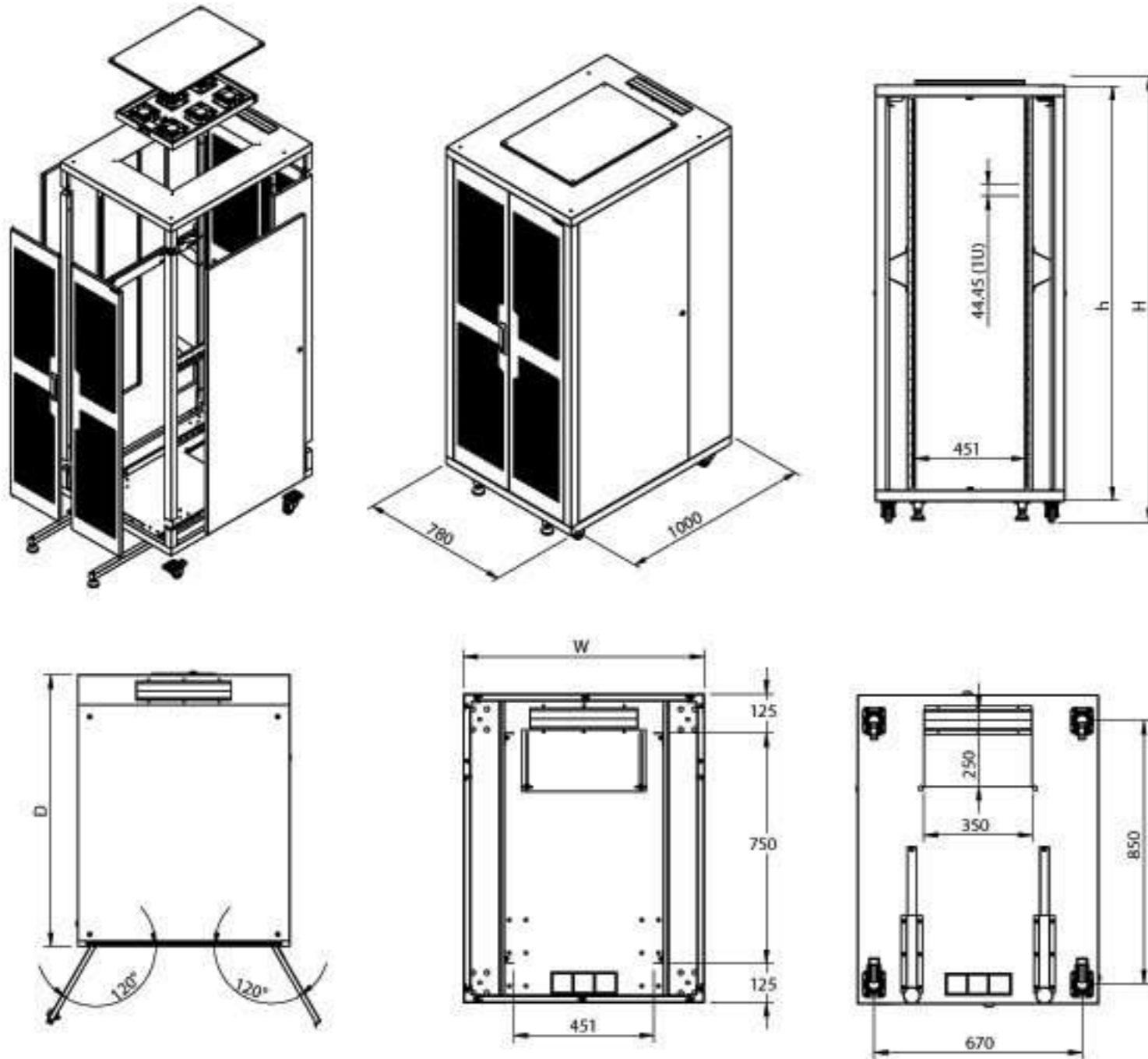
# SERVER 800x1000



19" 800 x 1000 Server Kabinet Genişlik - Width: 780 mm / Derinlik - Depth: 1000 mm

Stok No	U	h	H	KG
HRMC SC-36U80*100	36	1603	1831	105
HRMC SC-42U80*100	42	1870	2098	120

U: Unit (1U=44,45mm) / h: İç Yükseklik - Inside Height (mm) / H: Tekerlek Dahil Dış Yükseklik - Outside Height (mm)



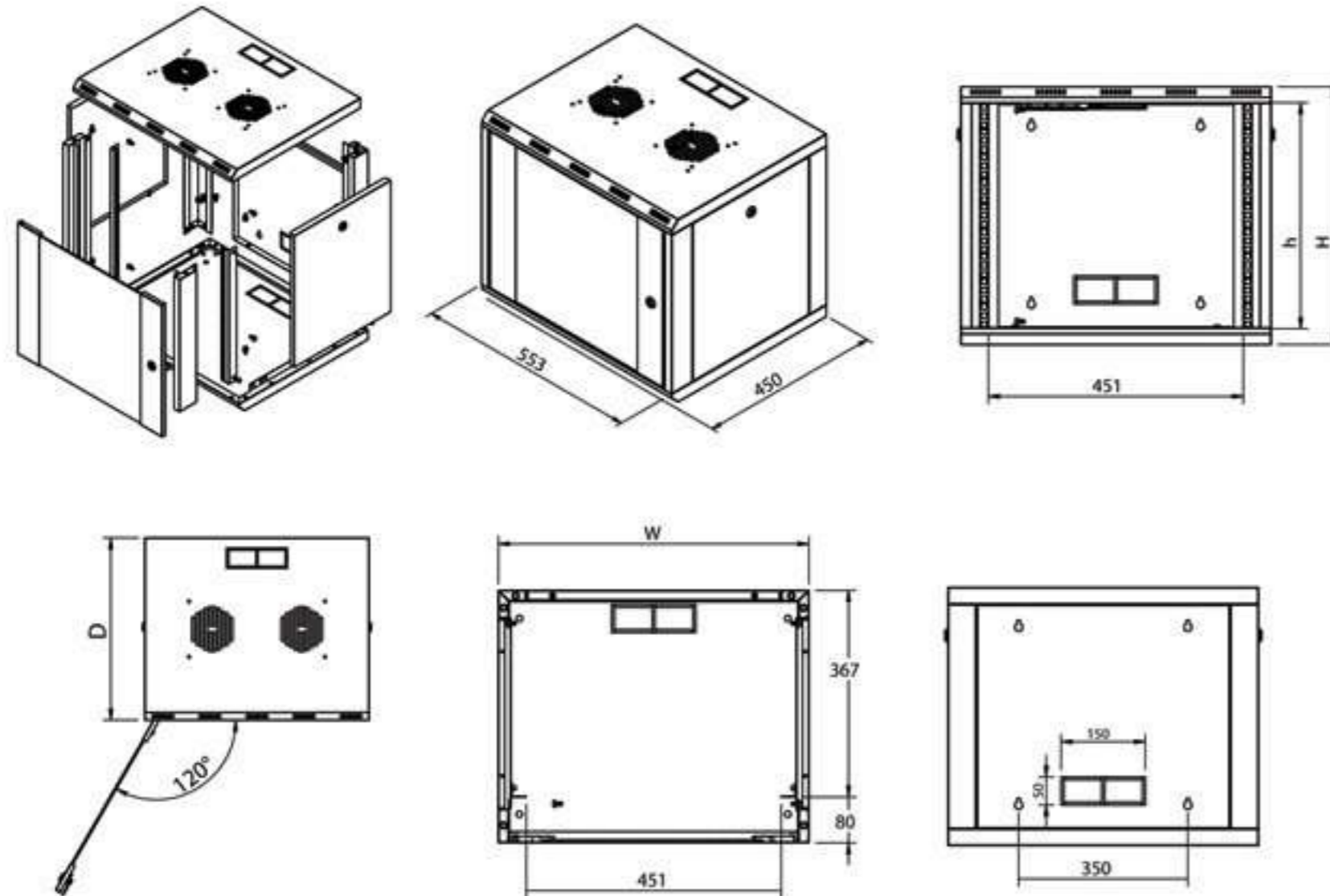
# DUVAR TIPI FUMOLINE 600x450



19" 600 x 450 Duvar Tipi Kabinet Genişlik - Width: 555 mm / Derinlik - Depth: 450 mm

Stok No	U	h	H	KG
HMRC-7U450	7	314	371	14
HMRC-9U450	9	403	460	16
HMRC-12U450	12	536	593	19
HMRC-16U450	16	673	731	24
HMRC-20U450	20	892	949	29

U: Unit (1U=44,45mm) / h: İç Yükseklik - Inside Height (mm) / H: Dış Yükseklik - Outside Height (mm)



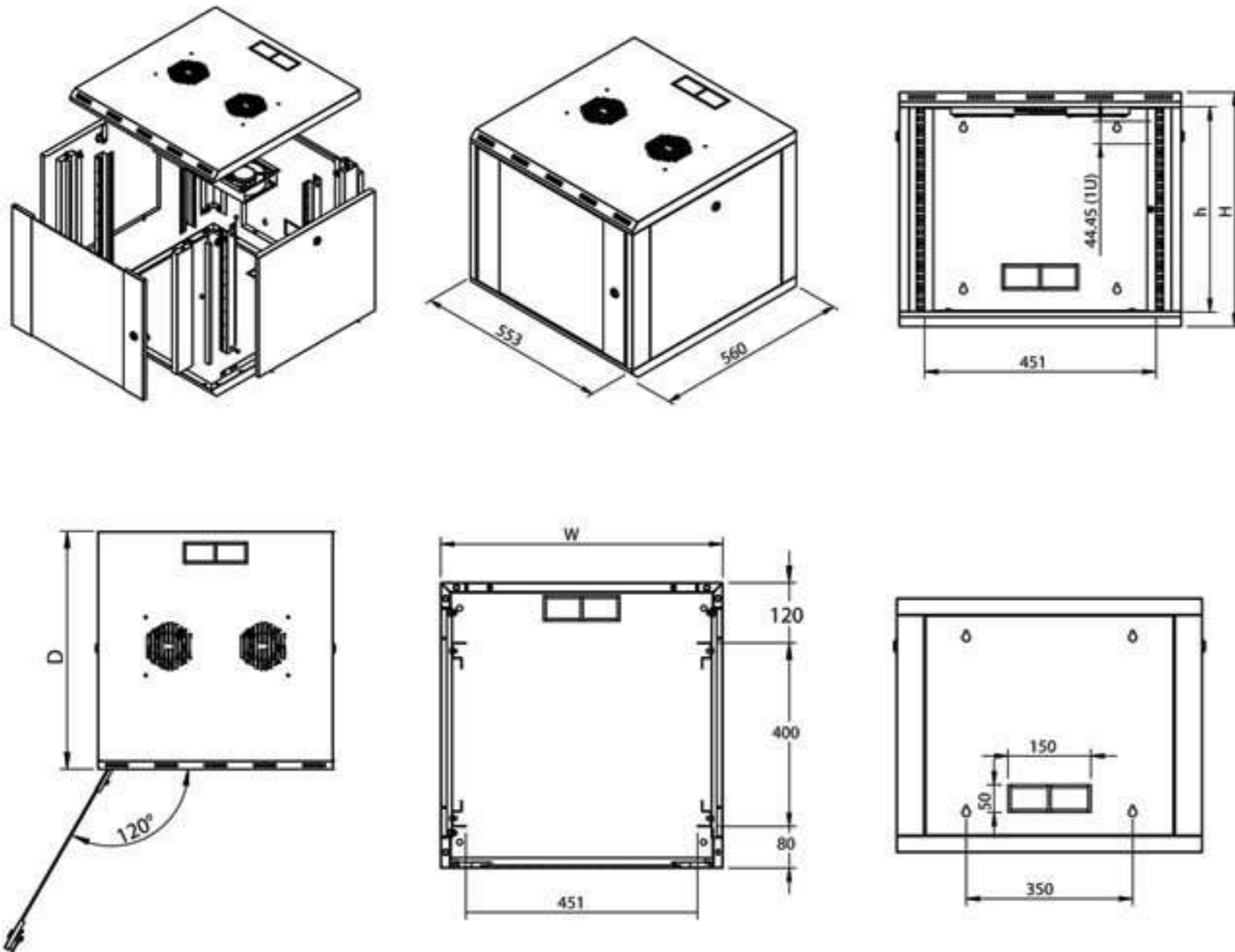
# DUVAR TIPI FUMOLINE 600x560



19" 600 x 560 Duvar Tipi Kabinet Genişlik - Width: 555 mm / Derinlik - Depth: 560 mm

Stok No	U	h	H	KG
HMRC-7U560	7	314	371	16
HMRC-9U560	9	403	460	18
HMRC-12U560	12	536	593	22
HMRC-16U560	16	673	731	28
HMRC-20U560	20	892	949	34

U: Unit (1U=44,45mm) / h: İç Yükseklik - Inside Height (mm) / H: Dış Yükseklik - Outside Height (mm)



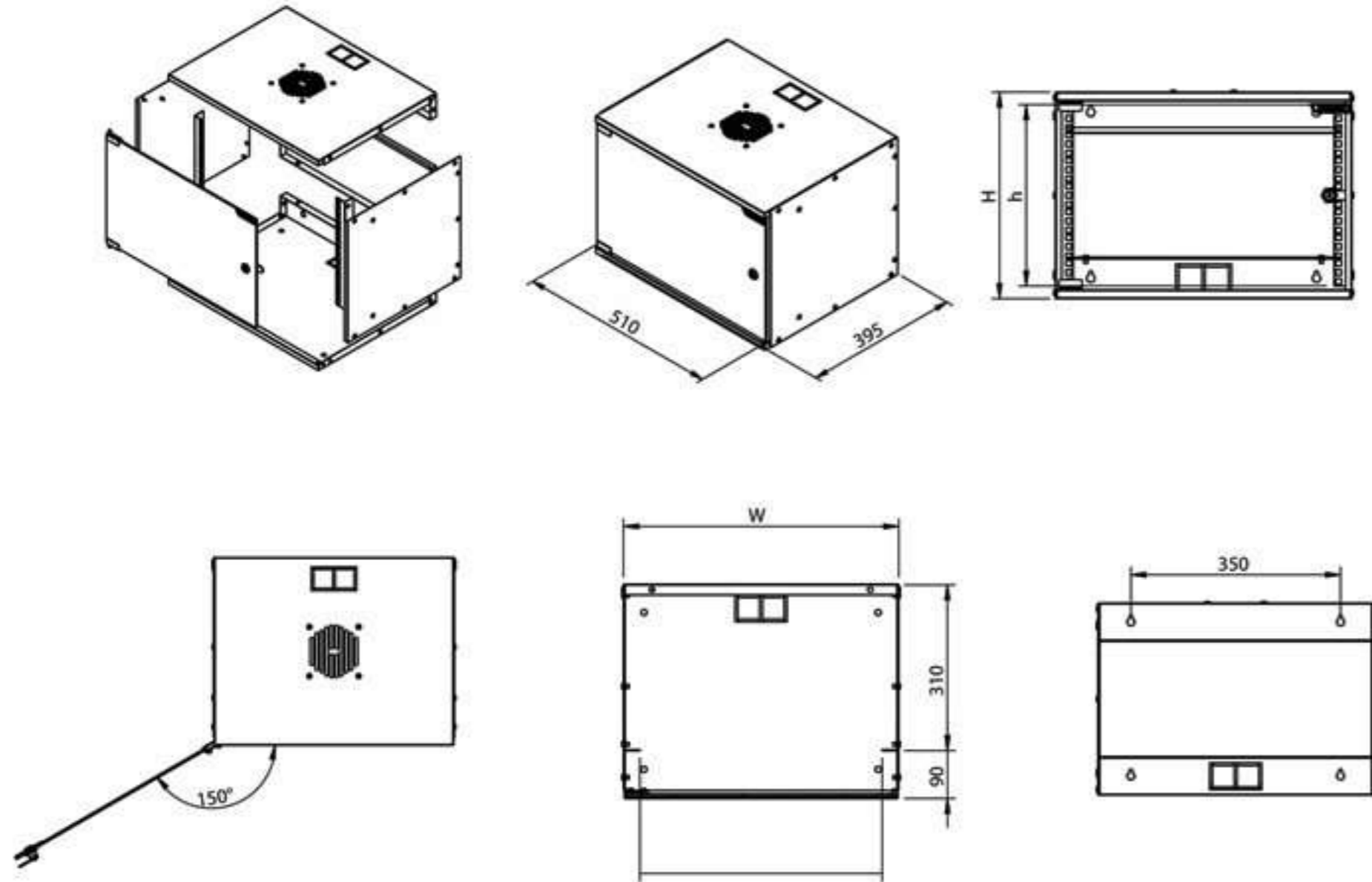
# DUVAR TİPİ SOHO 512X400



19" Duvar Tipi SOHO Kabinet Genişlik - Width: 515 mm / Derinlik - Depth: 400 mm

Stok No	U	h	H	KG
HMRC SH-4U	4	181	225	8
HMRC SH-7U	7	314	358	10
HMRC SH-9U	9	404	448	12
HMRC SH-12U	12	538	582	15

U: Unit (1U=44,45mm) / h: İç Yükseklik - Inside Height (mm) / H: Dış Yükseklik - Outside Height (mm)



## SOHO

### Duvar Tipi Kabinetler

- Küçük sistemlerin montajında kullanılır.
- Önü füme renkli cam kapalıdır.
- Ekonomik üretim yapısı sayesinde uygun fiyat avantajlıdır.
- Standart 400 mm derinliğe ve ihtiyacınıza uygun olarak 4U, 7U, 9U ve 12U yüksekliklerine sahiptir.
- 1'li fan modülü takılarak havalandırma işlemi sağlanabilir.
- Elektrostatik polyester esaslı ince pütürlü Ral 7035 Gri renkli boya ile boyanmıştır.

## SOHO

### Wall Mounted Cabinets

- Used for installation of small systems
- Affordable price thanks to economic production structure
- It has a 4 mm tempered glass front door with lock
- Standard depth size; 400 mm and four options of height; 4U, 7U, 9U, 12U
- Ventilation is provided by cooling unit with 1 fan.
- Impact-resistant, high strength, electrostatic Ral 7035 grey color.



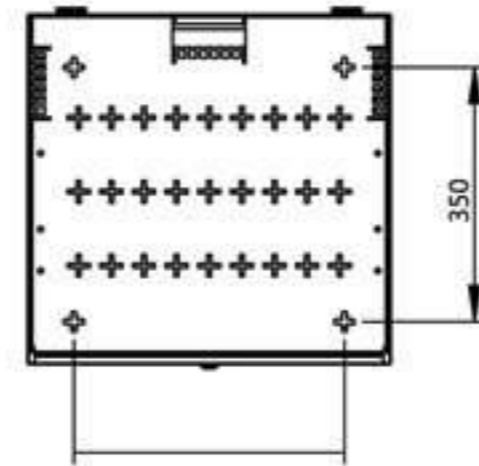
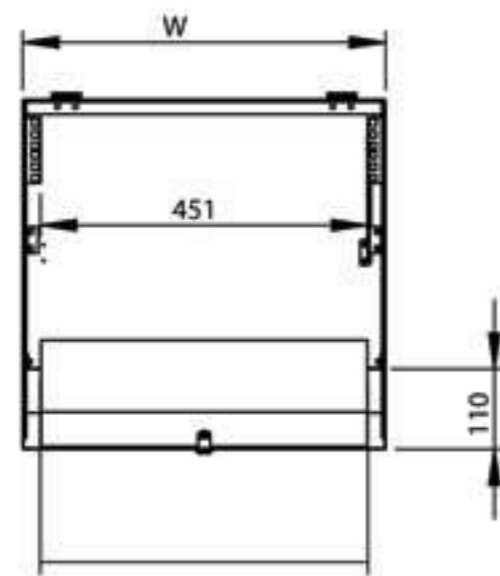
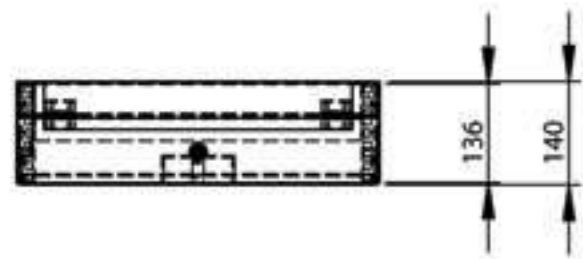
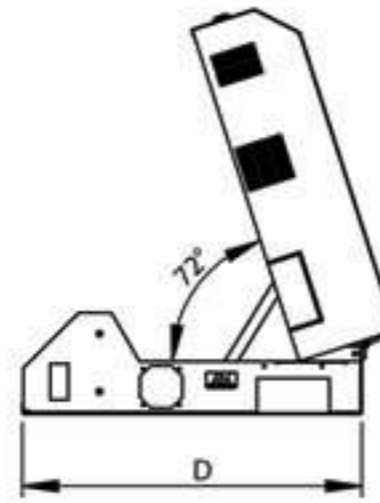
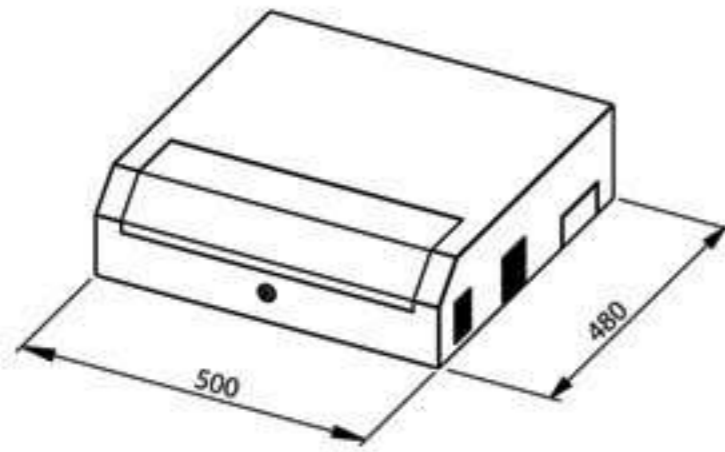
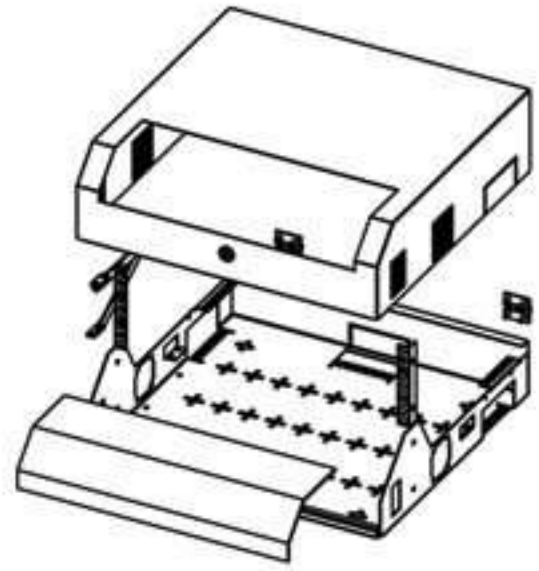
## DUVAR TİPİ SLIMRACK 500X480



19" Duvar Tipi SLIMRACK Kabinet Genişlik - Width: 500 mm / Derinlik - Depth: 480 mm

Stok No	U	H	KG
HMRC SLM-5U	3U+2U	140	9

U: Unit (1U=44,45mm) / h: İç Yükseklik - Inside Height (mm) / H: Dış Yükseklik - Outside Height (mm)



## SLIMRACK Duvar Tipi Kabinetler

- Ofislerde ve küçük sistemlerin yer aldığı alanlarda kullanılmaktadır.
- 3U önde, 2U arkada olmak üzere 5U kullanım alanı sağlar.
- Estetik tasarımı sayesinde şık bir görünüş oluşturur.
- Dikey ve yatay uygulamalar ile duvara ve tavana monte edilir.
- Duvardan kalınlığı 140 mm'dir.
- Ral 9005 ve Ral 7035 renk seçenekleri mevcuttur.



## SLIMRACK Wall Mounted Cabinets

- Slimrack aesthetic and economic solution for switch systems
- 5U device mounting capacity (3U+2U)
- Wall and ceiling mounted
- Slimrack thickness on wall: 140 mm
- Color options : Ral 7035 and Ral 9005



## Outdoor Racks

# 04

[WWW.FUMOTELECOM.DE](http://WWW.FUMOTELECOM.DE)

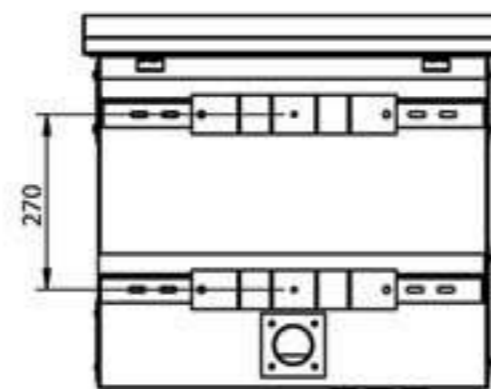
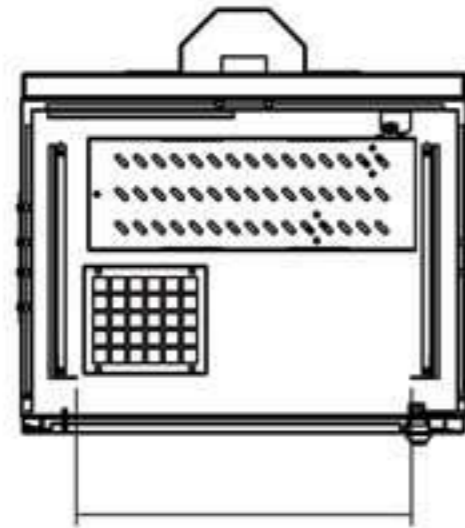
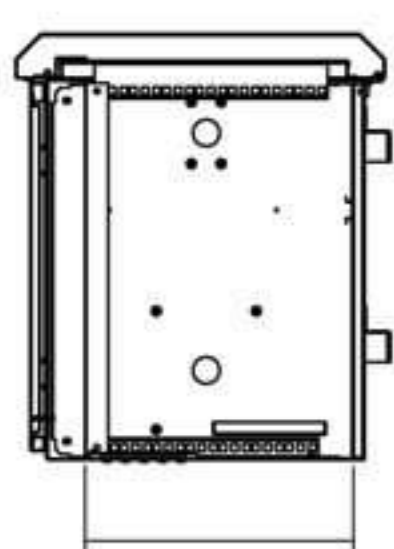
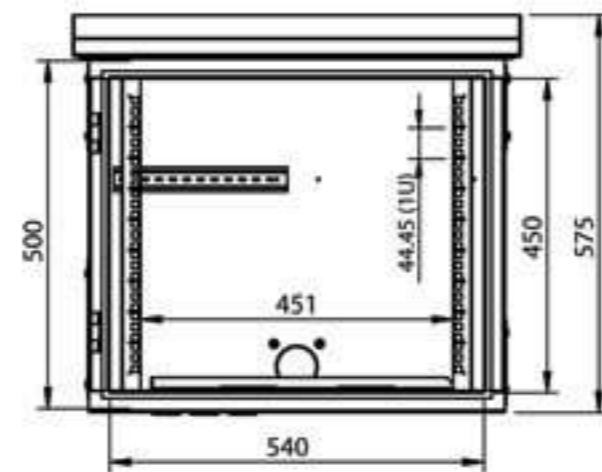
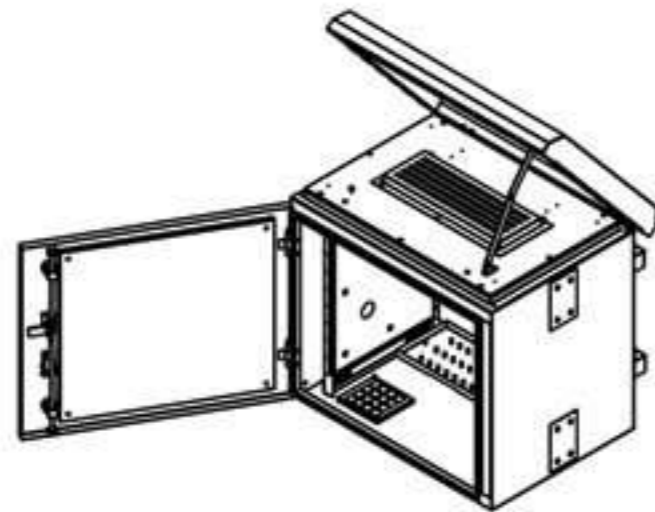
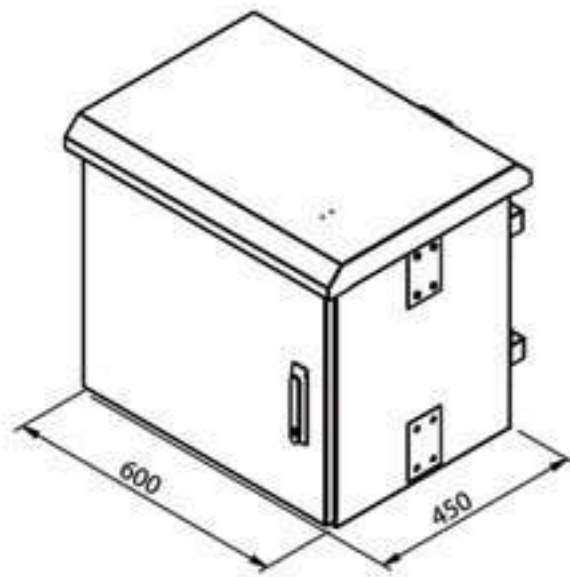
# OUTDOOR MOBESE 600X450



IP66 Direk Tipi Mobese Kabinet Genişlik - Width: 600 mm / Derinlik - Depth: 450 mm

Stok No	U	h	H	KG
HMRC MBS-9U450	9	450	575	42

U: Unit (1U=44,45mm) / h: İç Yükseklik - Inside Height (mm) / H: Dış Yükseklik - Outside Height (mm)



## IP66

### Direk Tipi Mobese Kabinet

- Direğe monte edilebilir.
- 9U iç kullanım kapasitesi.
- 600x450 genişlik ve derinlik.
- IP66 Yapısı ile toz ve su girişine karşı tam koruma.
- Dış cidar 1.5mm DKP çelik sac.
- İç cidar 1 mm galvanizli sac .
- Paslanmaya karşı üstün etkili kataforez veya galvaniz kaplamalı.
- Açılabilir ve kilitlenebilir ön kapak.
- Toz filtreli hava giriş panjurları.
- Toz filtreli fan hava tahliye bölümü.
- Fan modülüne dışarıdan erişim sağlayan açılabilir şapka yapısı.
- 4 adet kamera bağlantı noktası (arttırılabilir).
- Arka bölümde yer alan boru yapısı ile gizli kablo giriş imkanı.
- Ral 7035 boyalı.
- IP66 sertifikalı.

## IP66

### Mast Type Mobese Cabinet

- 600x450 width and depth.
- Can be mounted to the mast.
- 9U internal usage capacity.
- Full protection against dust and water ingress with IP66.
- 1.5 mm DKP steel sheet for outer paries.
- 1 mm galvanized steel sheet for inner paries
- Highly effective cataphoresis or galvanized coating against corrosion.
- Openable and lockable front cover.
- Air inlet louvres with dust filter.
- Air vent part with dust filtered fan.
- Openable hat structure that provides external access to the fan module.
- 4 camera connection points.
- Opportunity of hidden cable entry with pipe structure in the rear part.
- Ral 7035 painted.
- IP66 certified.



## OUTDOOR ZEMİN TİPİ 600X450

### Tek Cidarlı



IP66 Zemin Tipi Bazalı Kabinet Genişlik - Width: 600 mm / Derinlik - Depth: 450 mm

Stok No	U	h	H	KG
HMRC OUT-7U450Z	7	361	586	34
HMRC OUT-9U450Z	9	450	675	38
HMRC OUT-12U450Z	12	583	808	43
HMRC OUT-16U450Z	16	761	1058	51
HMRC OUT-20U450Z	20	939	1236	59

U: Unit (1U=44,45mm) / h: İç Yükseklik - Inside Height (mm) / H: Dış Yükseklik - Outside Height (mm)

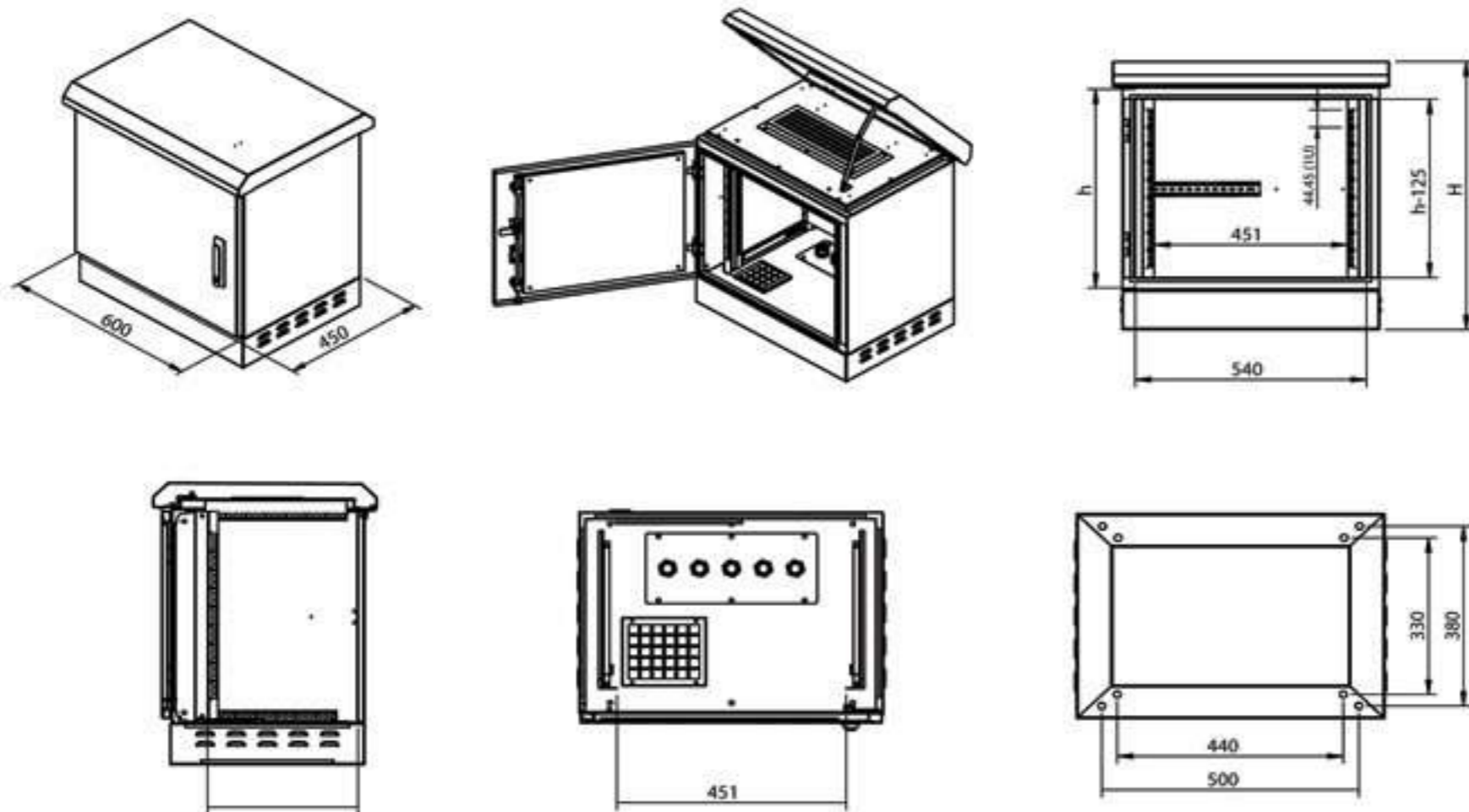
### Çift Cidarlı



IP66 Zemin Tipi Bazalı Kabinet Genişlik - Width: 600 mm / Derinlik - Depth: 450 mm

Stok No	U	h	H	KG
HMRC OUT-7U450ZW	7	361	586	39
HMRC OUT-9U450ZW	9	450	675	43
HMRC OUT-12U450ZW	12	583	808	51
HMRC OUT-16U450ZW	16	761	1058	60
HMRC OUT-20U450ZW	20	939	1236	70

U: Unit (1U=44,45mm) / h: İç Yükseklik - Inside Height (mm) / H: Dış Yükseklik - Outside Height (mm)



## IP66

### Zemin Tipi Bazalı Kabinet

- Zemine monte edilebilir.
- IP66 Yapısı ile toz ve su girişine karşı tam koruma.
- Dış cidar 1.5mm DKP çelik sac.
- İç cidar 1mm galvanizli sac.
- Cidarlar arası 10 mm ısı yalıtım malzemesi
- Paslanmaya karşı üstün etkili kataforez veya galvaniz kaplamalı.
- Açılabilir ve kilitlenebilen ön kapak.
- Toz filtreli hava giriş panjurları.
- Fan filtreli fan hava tahliye bölümü.
- Fan modülüne dışarıdan erişim sağlayan açılabilir şapka yapısı.
- Standart 100mm bazalı.
- Alt bölümde yer alan rekorlu kablo giriş yuvaları.
- Ral 7035 boyalı.
- IP66 sertifikalı.

## IP66

### For Field Cabinet

- 2 different depth options, 600x450mm and 600x600mm.
- Can be mounted to the ground.
- Full protection against dust and water ingress with IP66.
- 1.5 mm DKP steel sheet for outer paries.
- 1 mm galvanized steel sheet for inner paries
- Highly effective cataphoresis or galvanized coating against corrosion.
- Openable and lockable front cover.
- Air inlet louvres with dust filter.
- Air vent part with dust filtered fan.
- Openable hat structure that provides external access to the fan module.
- Standard 100mm plinth.
- Cable entry slots located in the lower part.
- Ral 7035 painted.
- IP66 certified.



# OUTDOOR ZEMİN TİPİ 600X600

## Tek Cidarlı



### IP66 Zemin Tipi Bazalı Kabinet Genişlik - Width: 600 mm / Derinlik - Depth: 600 mm

Stok No	U	h	H	KG
HMRC OUT-7U600Z	7	361	586	41
HMRC OUT-9U600Z	9	450	675	45
HMRC OUT-12U600Z	12	583	808	52
HMRC OUT-16U600Z	16	761	1058	60
HMRC OUT-20U600Z	20	939	1236	69

U: Unit (1U=44,45mm) / h: İç Yükseklik - Inside Height (mm) / H: Dış Yükseklik - Outside Height (mm)

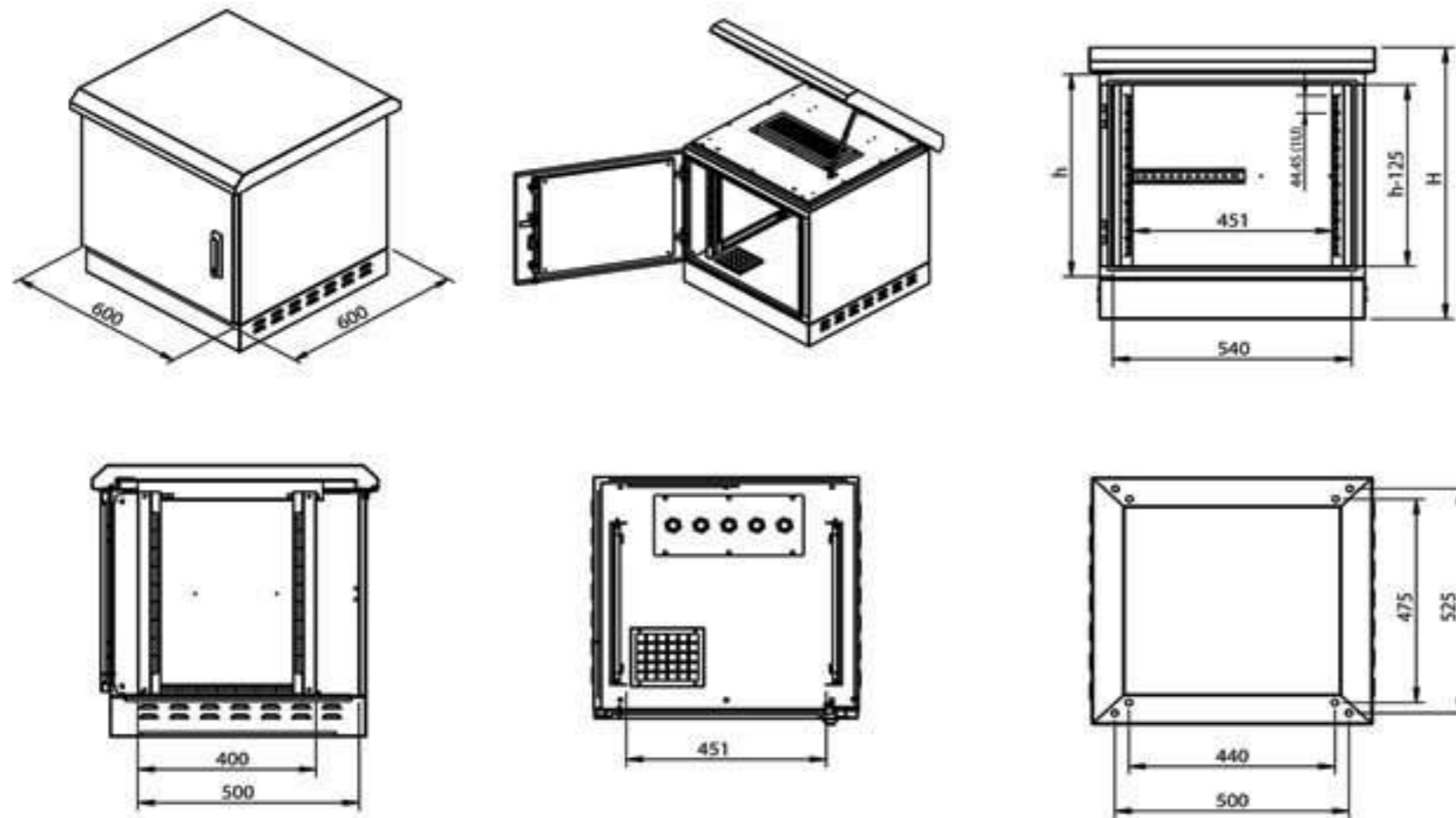
## Çift Cidarlı



### IP66 Zemin Tipi Bazalı Kabinet Genişlik - Width: 600 mm / Derinlik - Depth: 600 mm

Stok No	U	h	H	KG
HMRC OUT-7U600ZW	7	361	586	46
HMRC OUT-9U600ZW	9	450	675	51
HMRC OUT-12U600ZW	12	583	808	60
HMRC OUT-16U600ZW	16	761	1058	70
HMRC OUT-20U600ZW	20	939	1236	82

U: Unit (1U=44,45mm) / h: İç Yükseklik - Inside Height (mm) / H: Dış Yükseklik - Outside Height (mm)



## OUTDOOR ZEMİN TİPİ 600X450

### Tek Cidarlı



#### IP66 Duvar Tipi Kabinet Genişlik - Width: 600 mm / Derinlik - Depth: 450 mm

Stok No	U	h	H	KG
HMRC OUT-7U450D	7	361	486	30
HMRC OUT-9U450D	9	450	575	33
HMRC OUT-12U450D	12	583	708	39

U: Unit (1U=44,45mm) / h: İç Yükseklik - Inside Height (mm) / H: Dış Yükseklik - Outside Height (mm)

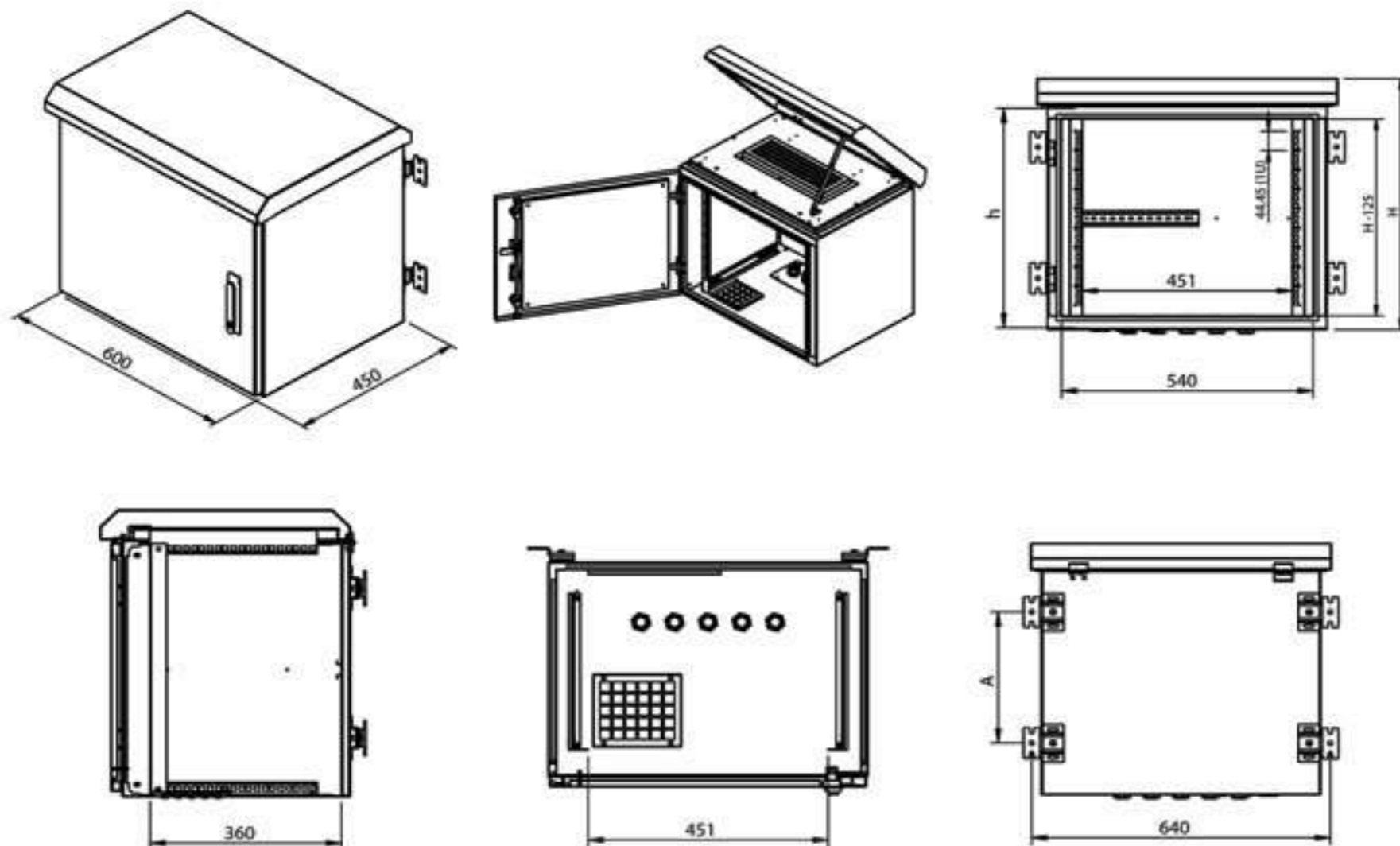
### Çift Cidarlı



#### IP66 Duvar Tipi Kabinet Genişlik - Width: 600 mm / Derinlik - Depth: 450 mm

Stok No	U	h	H	KG
HMRC OUT-7U450DW	7	361	486	34
HMRC OUT-9U450DW	9	450	575	38
HMRC OUT-12U450DW	12	583	708	46

U: Unit (1U=44,45mm) / h: İç Yükseklik - Inside Height (mm) / H: Dış Yükseklik - Outside Height (mm)



## IP66

### Duvar Tipi Kabinet

- Duvara monte edilebilir.
- IP66 Yapısı ile toz ve su girişine karşı tam koruma.
- Dış cidar 1.5mm DKP çelik sac.
- İç cidar 1mm galvanizli sac.
- Cidarlar arası 10 mm ısı yalıtım malzemesi
- Paslanmaya karşı üstün etkili kataforez veya galvaniz kaplamalı.
- Açılabilir ve kilitlenebilir ön kapak.
- Toz filtreli hava giriş panjurları.
- Toz filtreli fan hava tahliye bölümü.
- Fan modülüne dışarıdan erişim sağlayan açılabilir şapka yapısı.
- Alt bölümde yer alan rekorlu kablo giriş yuvaları.
- Ral 7035 boyalı.
- IP66 sertifikalı.

## IP66

### Wall Mounted Cabinet

- 2 different depth options, 600x450mm and 600x600mm.
- Can be mounted to the Wall.
- Full protection against dust and water ingress with IP66.
- 1.5 mm DKP steel sheet for outer paries.
- 1 mm galvanized steel sheet for inner paries
- Highly effective cataphoresis or galvanized coating against corrosion.
- Openable and lockable front cover.
- Air inlet louvres with dust filter.
- Air vent part with dust filtered fan.
- Openable hat structure that provides external access to the fan module.
- Cable entry slots located in the lower part.
- Ral 7035 painted.
- IP66 certified.



# OUTDOOR DUVAR TIPI 600X600

## Tek Cıdarlı



IP66 Duvar Tipi Kabinet Genişlik - Width: 600 mm / Derinlik - Depth: 600 mm

Stok No	U	h	H	KG
HMRC OUT-7U600D	7	361	486	37
HMRC OUT-9U600D	9	450	575	41
HMRC OUT-12U600D	12	583	708	48

U: Unit (1U=44,45mm) / h: İç Yükseklik - Inside Height (mm) / H: Dış Yükseklik - Outside Height (mm)

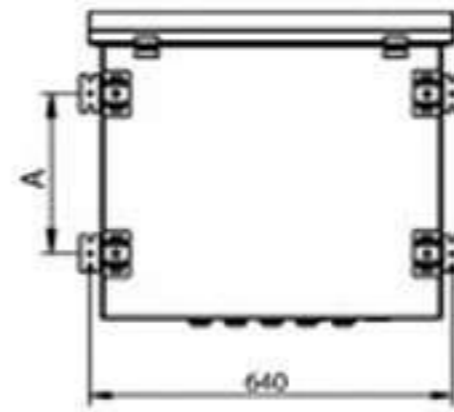
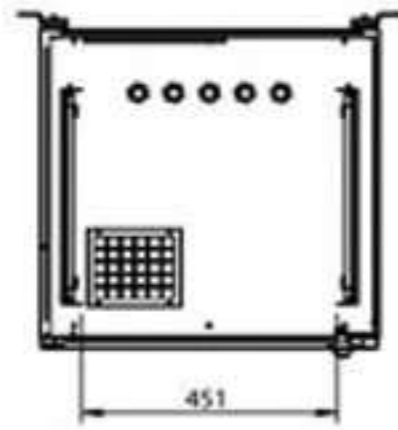
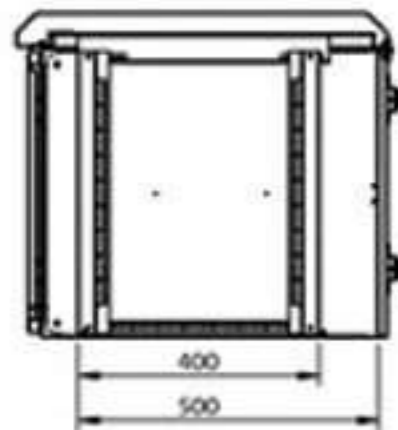
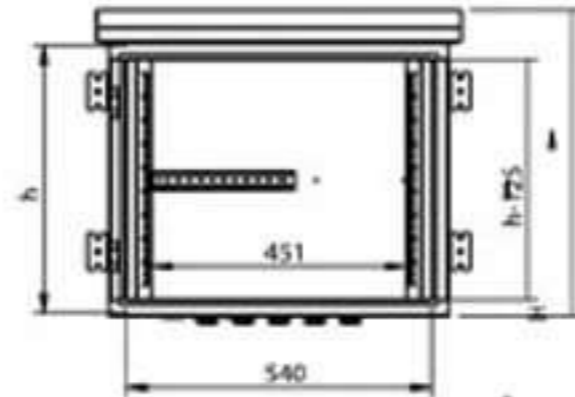
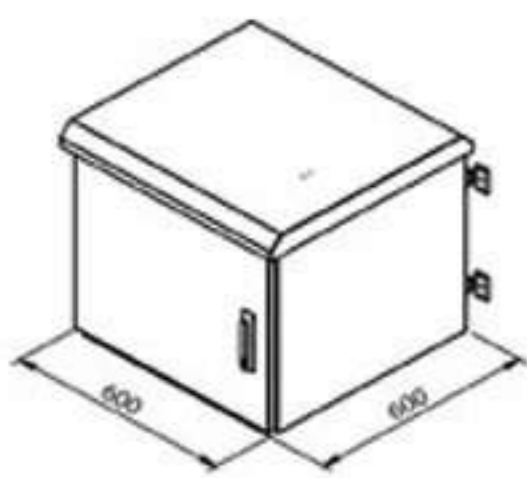
## Çift Cıdarlı



IP66 Duvar Tipi Kabinet Genişlik - Width: 600 mm / Derinlik - Depth: 600 mm

Stok No	U	h	H	KG
HMRC OUT-7U600DW	7	361	486	45
HMRC OUT-9U600DW	9	450	575	50
HMRC OUT-12U600DW	12	583	708	59

U: Unit (1U=44,45mm) / h: İç Yükseklik - Inside Height (mm) / H: Dış Yükseklik - Outside Height (mm)



**Wall mounted cabinet**



**Standard:**

- Comply with ANSI/EIA, RS-310-D, IEC297-2, DIN41494;PART1, DIN41494;PART7, GB/T3047.2-92, ETSI standard.

**Feature:**

- Flat packing frame structure ,easy installation
- Packing volume up to 30% of the original volume
- Transportation cost, storage cost reduced by half
- Fast assembly in five minutes

**Material:**

- Spcc cold Rolled Steel
- Thickness :Mounting profiles:1.5mm;
- Side panels, back panel :0.8mm;others 1.2mm

**Surface finish:**

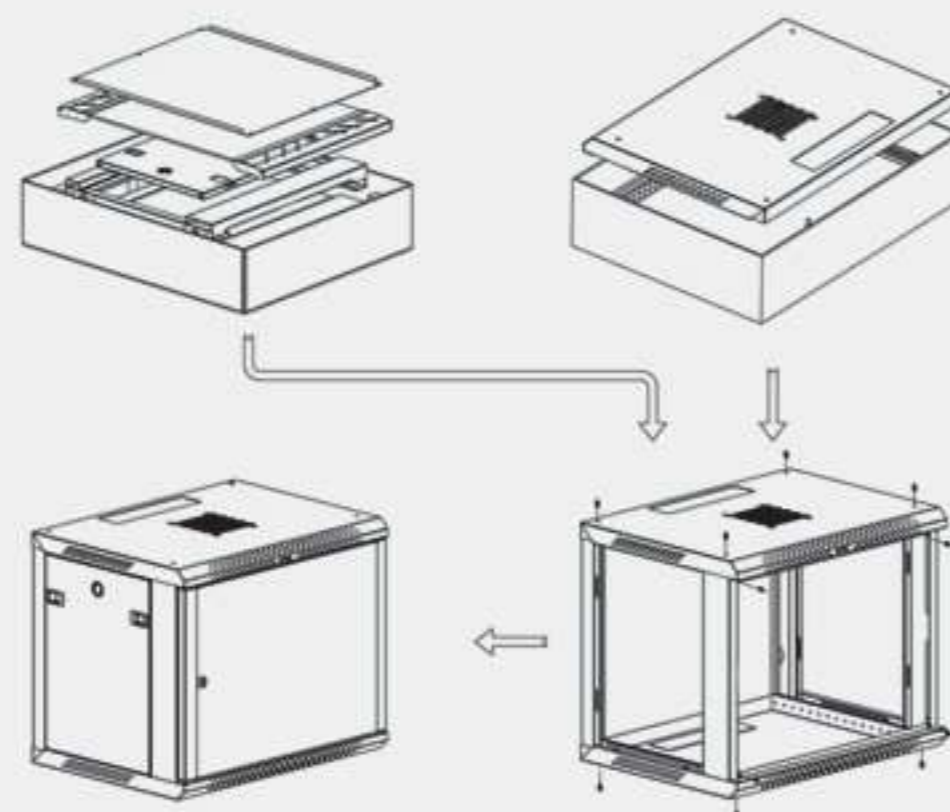
- Degreasing, Vitrification, power coated;

**Degree of protection:**

- IP20.

**Loading capacity:**

- Static loading: 60KG



Assembly instruction

**Wall mounted cabinet**

P series front door types:

Model No.	Door Type
PS.■■■■■■■■■■	Toughened glass front door with small round vented hole & arc-shaped door border



PS.■■■■■■■■■■



P series back side

## Wall mounted cabinet

### Main parts:

S/N	Specification	Quantity	Unit	Material	Surface Finish	Remark
1	Back panel	1	Piece	SPCC cold rolled steel t0.8	Powder coated	---
	Top cover	1	Piece	SPCC cold rolled steel t1.2	Powder coated	---
3	Side panel	2	Piece	SPCC cold rolled steel t0.8	Powder coated	---
4	Front door <sup>®</sup>	1	Piece	5MM toughed glass door/ SPCC t1.2	Powder coated	---
5	Bottom cover	1	Piece	SPCC cold rolled steel t1.2	Powder coated	---
6	Frame	1	Piece	SPCC cold rolled steel t1.2	Powder coated	---
7	Mounting profile	4	Piece	SPCC cold rolled steel t1.5	Powder coated	---
8	Allen wrench	1	Piece	45#	Black	---
9	M6*12 B-head screw	10	Piece	---	Color Zinc	20pcs for over 12U
10	Square nut	10	Piece	---	Color Zinc	20pcs for over 12U

### Specification:

Capacity ( U )	Width (mm)	Depth (mm)	Height (mm)	Packing Dimension	Volume (M <sup>3</sup> )
4	600	450	279	670*520*360	0.1254
		600		670*670*360	0.1616
6	600	450	368	670*520*450	0.1568
		600		670*670*450	0.2020
9	600	450	502	670*520*580	0.2021
		600		670*670*580	0.2604
12 27	600	450	635	670*520*710	0.2474
		600		670*670*710	0.3187
15	600	450	768	670*520*850	0.2964
		600		670*670*850	0.3816
18	600	450	902	670*520*980	0.3414
		600		670*670*980	0.4399
22	600	450	1079	670*520*1160	0.4041
		600		670*670*1160	0.5207
	600	450	1302	670*520*1380	0.4808
		600		670*670*1380	0.6195

Definition of Ornament strip color ( only PS cabinet has ornament strips)

7	9
Light Red	Light Blue
	

Definition of body color

01	00
Black	Grey
RAL9004	RAL7035
	

## Server / Networking Cabinet



Plate door border



Elegant lock

### Standard:

- Comply with ANSI/EIA, RS-310-D, IEC297-2, DIN41494;PART1, DIN41494;PART7, GB/T3047.2-92, ETSI standard.

### Front&rear door feature:

- Toughened glass front door with more ruffled round vented door border;
- Hexagonal reticular high-density vented plate rear door;
- The ventilated rate is 75%;
- Front & rear doors are free solder reinforcement structure, Elegant and sturdy;
- Front & rear door with elegant lock;
- The lock can be equipped according to the customer's needs;
- Front&rear doors can be designed to open in left or right;
- Front &rear doors can be changed to double-door.

### Material:

- Mounting profile&Mounting angle: Fingerprint resistant aluminum zinc plate; The rest: SPCC cold rolled steel; Thickness: mounting profile 2.0mm, mounting angle 1.5mm, others 1.2mm.

### Surface finish:

- Degreasing, Vitrification, power coated;

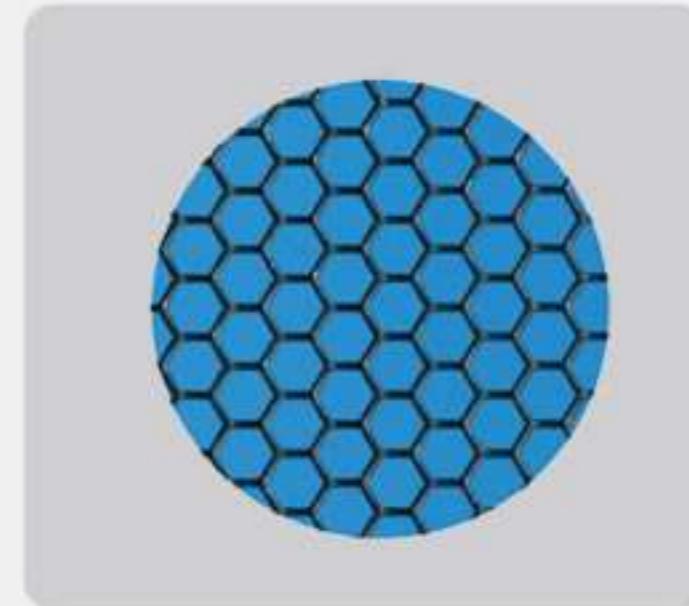
### Degree of protection:

- IP20.

### Loading capacity:

- Static loading: 800KG (with adjustable feet)

**Server / Networking Cabinet**



Ventilation rate 75%



Elegant lock

**Standard:**

- Comply with ANSI/EIA, RS-310-D, IEC297-2, DIN41494;PART1, DIN41494;PART7, GB/T3047.2-92, ETSI standard.

**Front&rear door feature:**

- High ventilated rate front door with arc hexagonal reticular vented;
- Hexagonal reticular high-density vented plate rear door;
- The ventilated rate is 75%;
- Front & rear doors are free solder reinforcement structure, Elegant and sturdy;
- Front & rear door with elegant lock;
- The lock can be equipped according to the customer's needs;
- Front&rear doors can be designed to open in left or right;
- Front &rear doors can be changed to double-door.

**Material:**

- Mounting profile&Mounting angle: Fingerprint resistant aluminum zinc plate; The rest: SPCC cold rolled steel; Thickness: mounting profile 2.0mm, mounting angle 1.5mm, others 1.2mm.

**Surface finish:**

- Degreasing, Vitrification, power coated;

**Degree of protection:**

- IP20.

**Loading capacity:**

- Static loading: 800KG (with adjustable feet)

**Server / Networking Cabinet**



Plate door border



Elegant lock

**Standard:**

- Comply with ANSI/EIA, RS-310-D, IEC297-2, DIN41494;PART1, DIN41494;PART7, GB/T3047.2-92, ETSI standard.

**Front&rear door feature:**

- Toughened glass front door with more ruffled round vented door border;
- Hexagonal reticular high-density vented plate rear door;
- The ventilated rate is 75%;
- Front & rear doors are free solder reinforcement structure, Elegant and sturdy;
- Front & rear door with elegant lock;
- The lock can be equipped according to the customer's needs;
- Front&rear doors can be designed to open in left or right;
- Front &rear doors can be changed to double-door.

**Material:**

- Mounting profile&Mounting angle: Fingerprint resistant aluminum zinc plate; The rest: SPCC cold rolled steel; Thickness: mounting profile 2.0mm, mounting angle 1.5mm, others 1.2mm.

**Surface finish:**

- Degreasing, Vitrification, power coated;

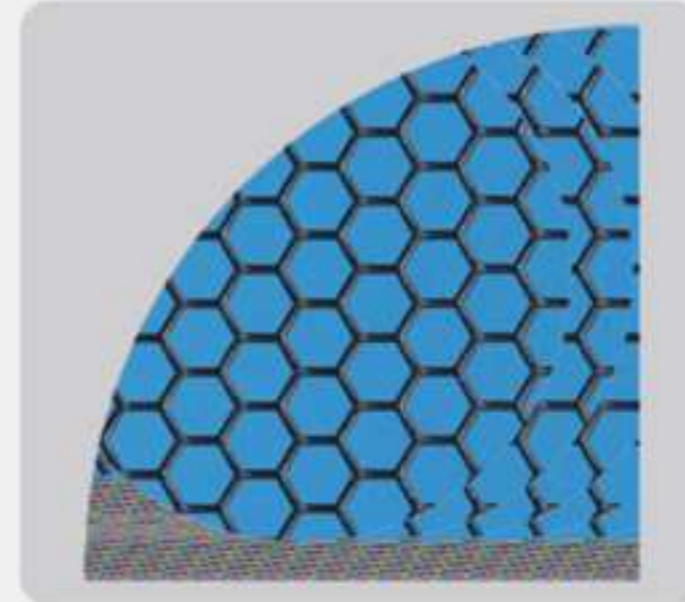
**Degree of protection:**

- IP20.

**Loading capacity:**

- Static loading: 800KG (with adjustable feet)

**Server / Networking Cabinet**



Ventilation rate 75%



Elegant lock

**Standard:**

- Comply with ANSI/EIA, RS-310-D, IEC297-2, DIN41494;PART1, DIN41494;PART7, GB/T3047.2-92, ETSI standard.

**Front&rear door feature:**

- High ventilated rate front door with arc hexagonal reticular vented;
- Hexagonal reticular high-density vented plate rear door;
- The ventilated rate is 75%;
- Front & rear doors are free solder reinforcement structure, Elegant and sturdy;
- Front & rear door with elegant lock;
- The lock can be equipped according to the customer's needs;
- Front&rear doors can be designed to open in left or right;
- Front &rear doors can be changed to double-door.

**Material:**

- Mounting profile&Mounting angle: Fingerprint resistant aluminum zinc plate;
- The rest: SPCC cold rolled steel;
- Thickness: mounting profile 2.0mm, mounting angle 1.5mm, others 1.2mm.

**Surface finish:**

- Degreasing, Vitrification, power coated;

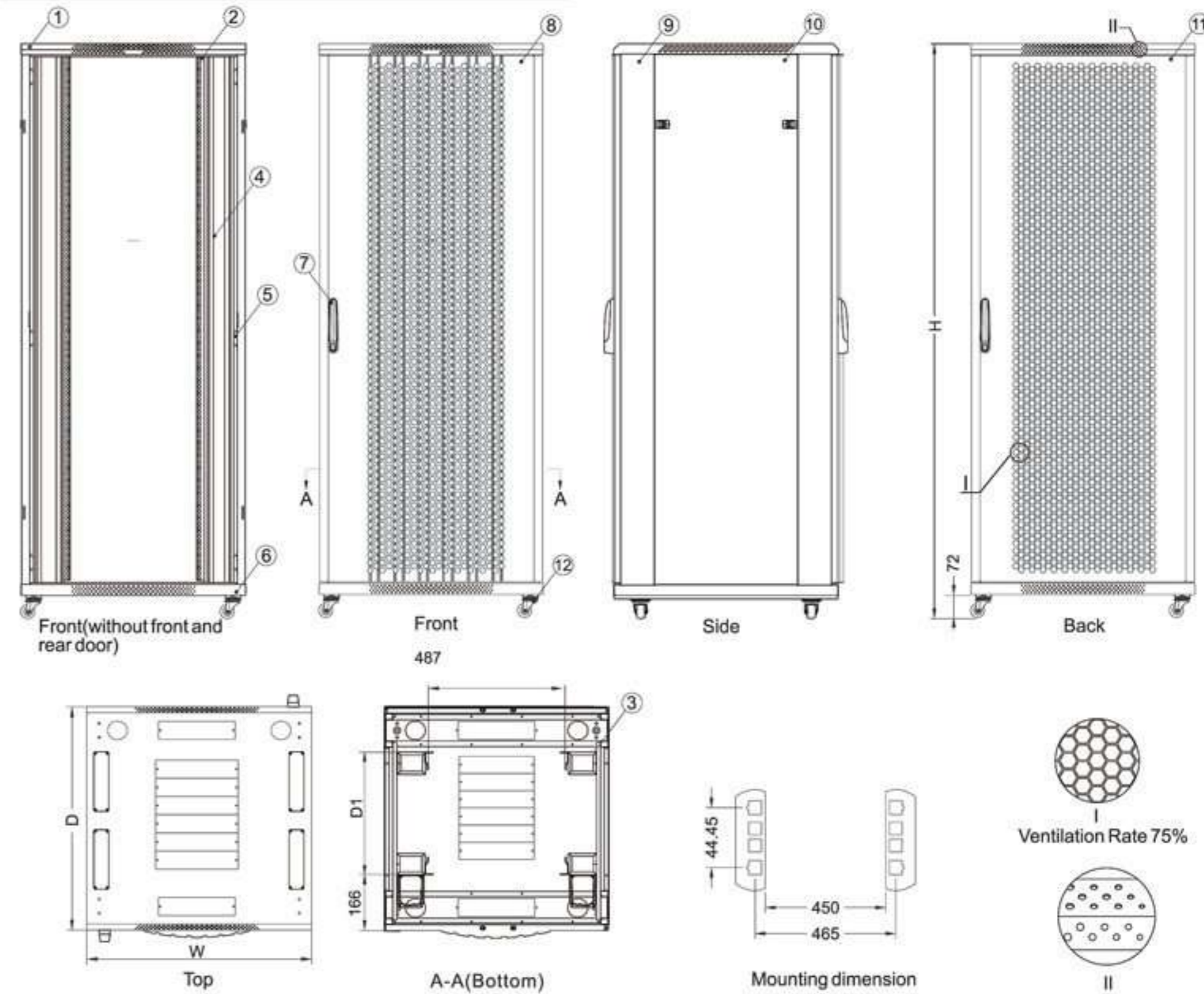
**Degree of protection:**

- IP20.

**Loading capacity:**

- Static loading: 800KG (with adjustable feet)

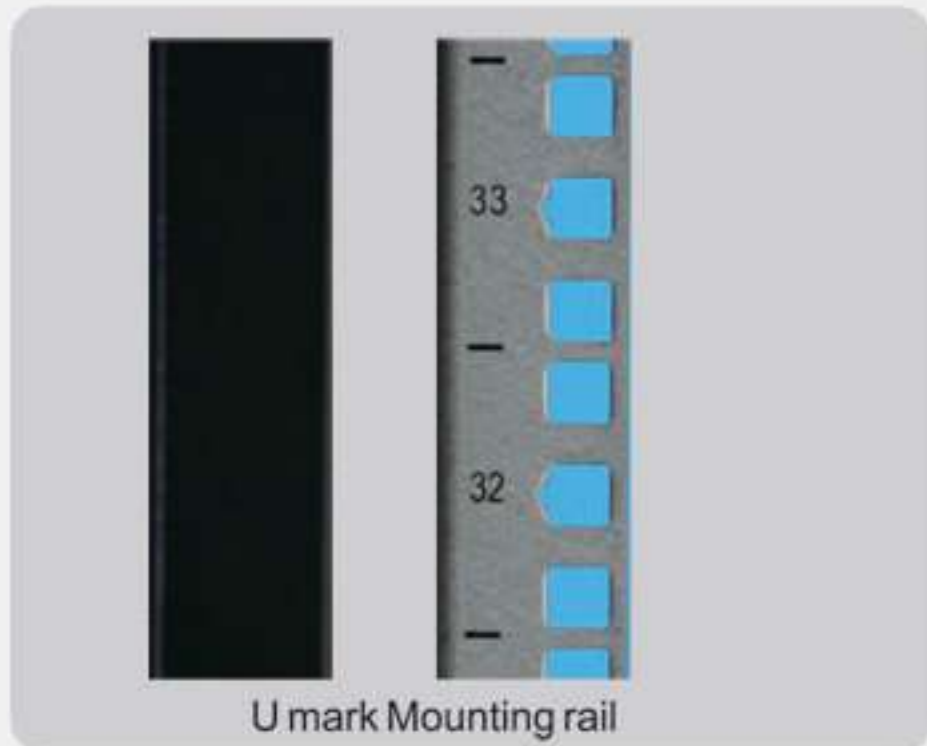
**Width 800mm main dimension**



S/N	Specification	Quantity	Unit	Material	Surface Finish	Remark
1	Top cover	1	Piece	SPCC cold rolled steel t1.2	Powder coated	---
2	Mounting profile	4	Piece	Fingerprint-resistant aluminum deposited zinc plate t2.0	Material	---
3	Spacer	12	Piece	SPCC cold rolled steel t1.5	Powder coated	8pcs for lower 32U
4	Cable management slot	2	Piece	SPCC cold rolled steel t0.8/ Plastic	Powder coated	---
5	Mounting angle	6	Piece	Fingerprint-resistant aluminum deposited zinc plate t1.5	Material	4pcs for lower 32U
6	Bottom panel	1	Piece	SPCC cold rolled steel t1.2	Powder coated	---
7	Luxury lock	2	Piece	---	Black	---
8	Front door	1	Piece	5mm Toughened glass/SPCC t1.2	Powder coated	---
9	Frame	2	Piece	SPCC cold rolled steel t1.2	Powder coated	---
10	Side panel	2	Piece	SPCC cold rolled steel t1.2	Powder coated	---
11	Rear door	1	Piece	SPCC cold rolled steel t1.2	Powder coated	---
12	2" heavy duty castor	4	Piece	---	---	---

**Server / Networking Cabinet**

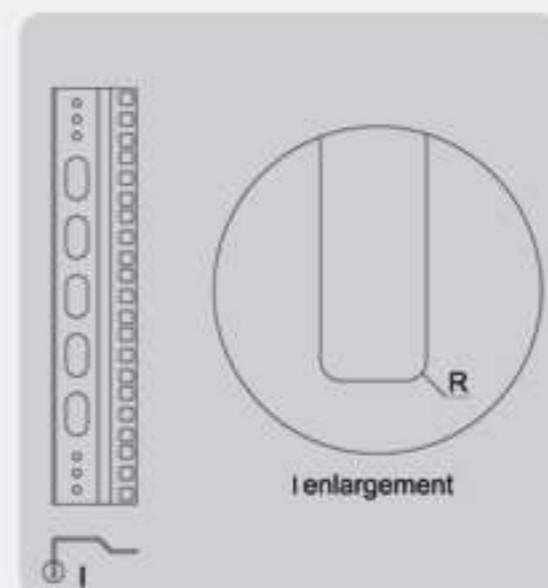
Mounting profile



- High precision manufacturing;
- High precision installation, and cancel the adjustable gap
- No out of shape after installing equipments;
- Better strength with trapezoidal cross-section structure;
- Good electrical conductivity, and facilitate equipment equipotential installation, prevent electrostatic damage
- Cable can go through the elliptic holes of mounting profile
- Front and rear with 25mm modulus values adjustable;
- Beautiful appearance.



U mark Mounting rail is visible when cabinet is assembled

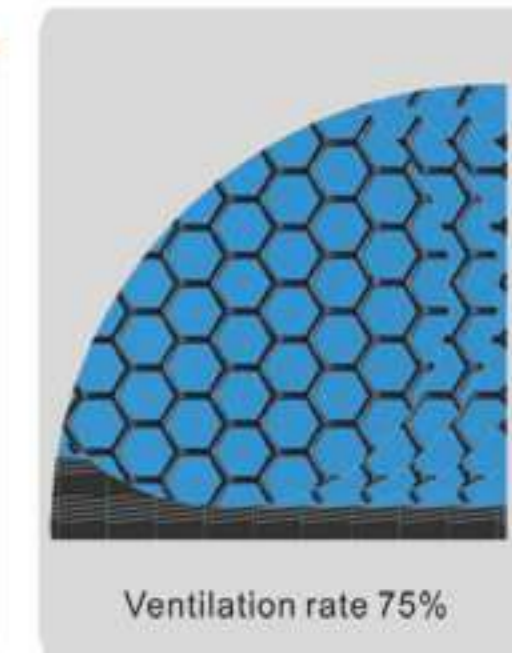


Mounting profiles with no sharp edges to avoid cutting hands during processing, installing and maintenance.

Width 800mm main dimension

Front and rear door:

- Ventilation rate 75%;
- Left or right opening;
- Single section door can be changed to double-section door;
- Free of weld reinforcement structure, beautiful appearance;
- With High quality elegant lock.



Single section door left open



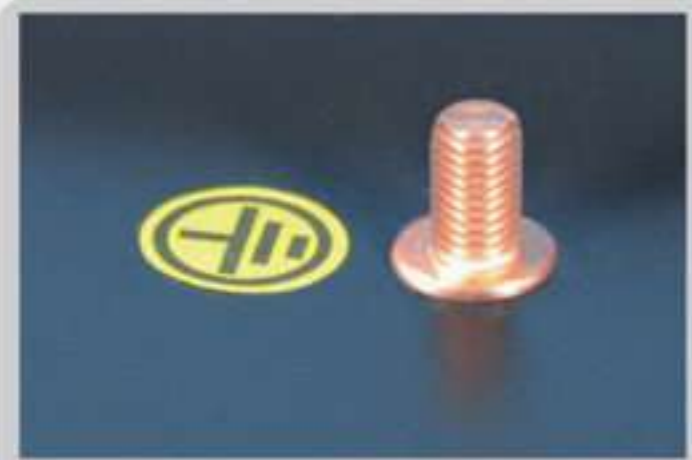
Single section door right open



Double-section door

**Server / Networking Cabinet**

**Earthing device**

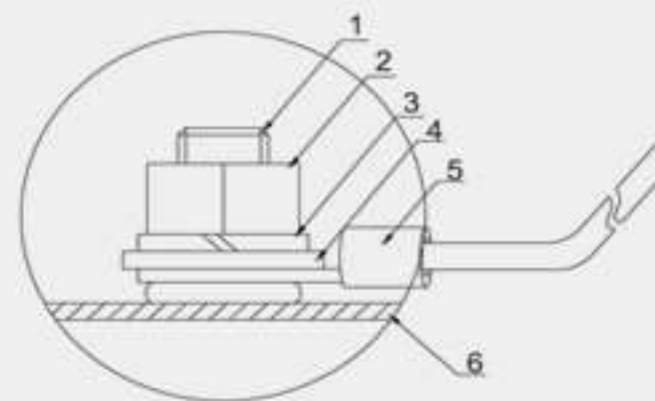


Earth knitter

Specification	values (kgf-cm-min)
Test tighten torque	28.8
Allowable tightening torque	36



Earth knitter with jacket

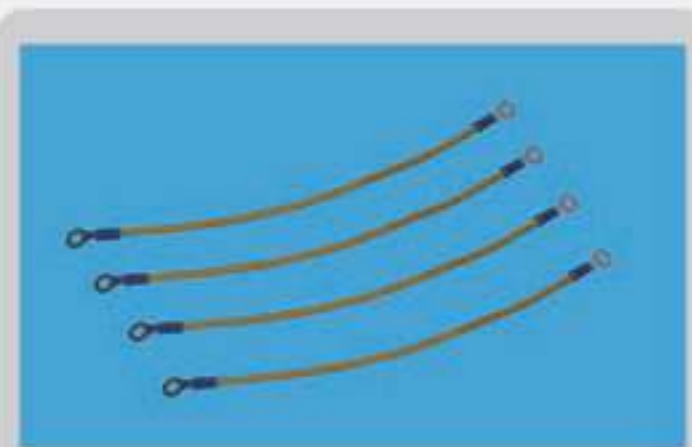


Drawing of earthing knitter



Main parts with earthing knitters can connect with each other

S/N	Specification	S/N	Specification
1	M6*13 screw	4	ø6 Spring cushion
2	ø6 Nut	5	Earthing kit
3	ø6 Flat cushion	6	workpiece



Earth wire

Model No.	Specification
320600631	0.1M*3. 332MM <sup>2</sup> . Kelly, with ground connector
320600017	0.25M*3. 332MM <sup>2</sup> . Kelly, with ground connector
320600011	0.3M*3. 332MM <sup>2</sup> . Kelly, with ground connector
320600003	0.5M*3. 332MM <sup>2</sup> . Kelly, with ground connector
320600010	0.8M*3. 332MM <sup>2</sup> . Kelly, with ground connector
320600022	1.0M*3. 332MM <sup>2</sup> . Kelly, with ground connector

**Server / Networking Cabinet**

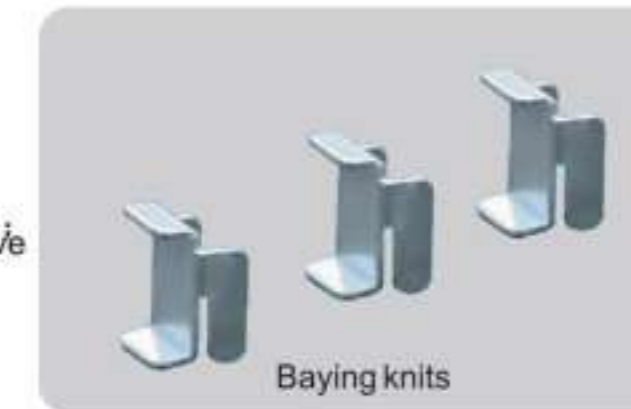
**Vertical installation PDU**

- Vertical installation PDU do not take up space of equipment;
- Mounting angle can be shorten in back, can meet full size PDU with vertical installation.
- A complete set of accessories;
- PDU with thickness less than 50mm, after installation will not affect the server after disassembling
- With vertical inclined hole vertical installation PDU, the space taken by the plugs is smaller, which can save installation space

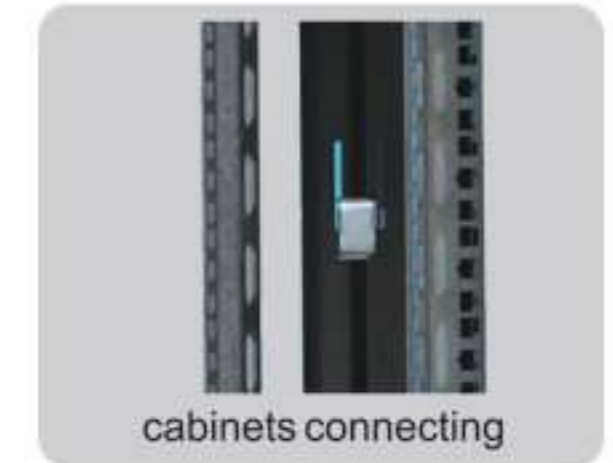


**Baying knits**

- Connecting 2 cabinets;
- Tool-free installation;
- When connecting, side doors will remove
- 4 baying knits is used for each 2 cabinet



Baying knits

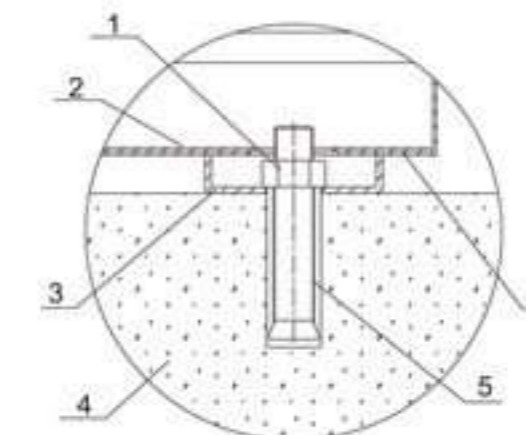


cabinets connecting

**Grounding**



Bottom cover of cabinet can be ground



Details

S/N	Specification
1	M12 screw
2	Frame
3	Pallet
4	Floor
5	M12 expansion bolt
6	Bottom cover



Server / Networking Cabinet

Specification

Capacity (U)	Width (mm)	Depth (mm)	D1 (mm)	Height (mm)	Packing Dimension	Volume (M³)
18	600	600	361	988	670*700*1028	0.4821
		800	561		670*900*1028	0.6199
		900	661		670*1000*1028	0.6888
		1000	736		670*1100*1028	0.7576
22	600	600	361	1166	670*700*1196	0.5609
		800	561		670*900*1196	0.7212
		900	661		670*1000*1196	0.8013
27	600	600	361	1388	670*700*1418	0.6650
		800	561		670*900*1418	0.8551
		900	661		670*1000*1418	0.9501
32	600	600	361	1610	670*700*1640	0.7692
		800	561		670*900*1640	0.9889
		900	661		670*1000*1640	1.0988
37	600	600	361	1833	670*700*1863	0.8737
		800	561		670*900*1863	1.1234
		900	661		670*1000*1863	1.2482
		1000	736		670*1100*1863	1.3730
42	600	600	361	2055	670*700*2085	0.9779
		800	561		670*900*2085	1.2573
		900	661		670*1100*2085	1.3970
		1000	736		670*1300*2085	1.5366
		1100	736		670*1100*2085	1.6763
		1200	736		670*1300*2085	1.8160
	800	600	308		870*700*2085	1.2698
		800	508		870*900*2085	1.6326
		900	608		870*1100*2085	1.8140
		1000	708		870*1300*2085	1.9953
		1100	733		870*1100*2085	2.1767
		1200	733		870*1300*2085	2.3581
47	600	600	361	2277	670*700*2307	1.0820
		800	561		670*900*2307	1.3911
		900	661		670*1100*2307	1.5457
		1000	736		670*1300*2307	1.7003
		1100	736		670*1100*2307	1.8548
		1200	736		670*1300*2307	2.0094
	800	600	308		870*700*2307	1.4050
		800	508		870*900*2307	1.8064
		900	608		870*1100*2307	2.0071
		1000	708		870*1300*2307	2.2078
		1100	733		870*1100*2307	2.4085
		1200	733		870*1300*2307	2.6092

Server / Networking Cabinet



Side panels without lock (standard)



Side panels with lock (optional)



Code lock (Optional)

Standard:

- Comply with ANSI/EIA、RS-310-D、IEC297-2、DIN41494;PART1、DIN41494;PART7、GB/T3047.2-92、ETSI standard.

Front&rear door feature:

- Steel front door without vented hole;
- Steel rear door without vented hole;
- Front & rear doors are free solder reinforcement structure, Elegant and sturdy;
- Front & rear door with elegant lock;
- The lock can be equipped according to the customer's needs;
- Front&rear doors can be designed to open in left or right;
- Front &rear doors can be changed to double-door.

Material:

- Mounting profile&Mounting angle: Fingerprint resistant aluminum zinc plate; The rest: SPCC cold rolled steel; Thickness: mounting profile 2.0mm, mounting angle 1.5mm, others 1.2mm.

Surface finish:

- Degreasing, Vitrification, power coated;

Degree of protection:

- IP20.

Loading capacity:

- Static loading: 800KG (with adjustable feet)

## Network Ducts

# 05

[WWW.FUMOTELECOM.DE](http://WWW.FUMOTELECOM.DE)

PVC KABLO KANALLARI  
PVC CABLE TRUNKINGS

A Serisi Mini Kanal

A Series Mini Trunking

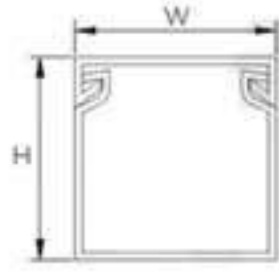


GENEL ÖZELLİKLER

Ham madde	PVC UL94, V0 M1
Darbe dayanımı	0,5 - 1 Joule
Çalışma sıcaklığı	-25 / +65 C°
Renk	Beyaz RAL 9010
Koruma Sınıfı	IP40
Yangın Dayanımı	960 C°'ye kadar
Tip	2 CTS

GENERAL SPECIFICATIONS

Raw material	PVC UL94, V0 M1
Impact resistance	0,5 - 1 Joule
Operating temperature	-25 / +65 C°
Colour	White RAL 9010
IP Ingress Protection	IP40
Fire Resistant	Up to 960 C°
Type	2 Cable Trunking Systems



EK ÖZELLİKLER

UV dayanımı	Kolay kurulum, boyanabilir, alev yamaz
Ekonomik ve adapasyonu kolay	
Asit ve yağlara karşı dayanımlı	
Elektrik iletmez	

ADDITIONAL SPECIFICATIONS

UV resistant	Easy install, paintable, self-extinguishing
Economic and adaptable	
Resistant to acids, oils and greases	
Non-conductive	



Ölçü Size	Ref. Kodu Code	W (mm)	H (mm)	Ambalajlı Mikser Quantity/Pack (m)	Hacim Volume (m <sup>3</sup> )	Ağırlık Weight (kg)	Kapasite kg/m Load Capacity	Alan (mm <sup>2</sup> ) Load Area
12 x 12	FTC T101201 2	12	12	378	0,063	21,4	1,5	103,1
15 x 10	FTC T101501 0	15	10	340	0,063	20,4	1,6	107,7
16 x 16	FTC T101601 6	16	16	266	0,083	25,1	2,3	193,9
20 x 10	FTC T102001 0	20	10	240	0,063	20,2	2,3	154,3
20 x 13	FTC T102001 3	20	13	300	0,083	24,3	1,8	210,4
25 x 16	FTC T102501 6	25	16	168	0,083	21,0	2,6	318,3
25 x 25	FTC T102502 5	25	25	130	0,100	20,8	4,0	522,4
30 x 20	FTC T103002 0	30	20	120	0,083	19,8	3,8	803,9
40 x 16	FTC T104001 6	40	16	98	0,083	18,3	4,4	521,4
40 x 25	FTC T104002 5	40	25	80	0,100	17,3	5,6	848,1
40 x 40	FTC T104004 0	40	40	72	0,083	21,0	6,7	1418,1

Standards EN 50085-2-1



Standart üretim 2 m'dir. İstenilen boyda üretim yapılabilir.  
Standard length 2 m. Other lengths available.

Naylon ambalajda üretim yapılabilir.  
Nylon Package available.

Kurun çemeyen çevreye saygılı PVC hammaddeden üretilir.  
Lead-free environment friendly PVC material.

PVC KABLO KANALLARI  
PVC CABLE TRUNKINGS

A Serisi Midi Kanal

A Series Midi Trunking

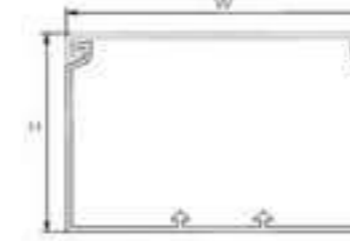


GENEL ÖZELLİKLER

Ham madde	PVC UL94, V0 M1
Darbe dayanımı	1 - 2 Joule
Çalışma sıcaklığı	-25 / +65 C°
Renk	Beyaz RAL 9010
Koruma Sınıfı	IP40
Yangın Dayanımı	960 C°'ye kadar
Tip	2 CTS

GENERAL SPECIFICATIONS

Raw material	PVC UL94, V0 M1
Impact resistance	1 - 2 Joule
Operating temperature	-25 / +65 C°
Colour	White RAL 9010
IP Ingress Protection	IP40
Fire Resistant	Up to 960 C°
Type	2 Cable Trunking Systems



EK ÖZELLİKLER

UV dayanımı	Kolay kurulum, boyanabilir, alev yamaz
Ekonomik ve adapasyonu kolay	
Asit ve yağlara karşı dayanımlı	
Elektrik iletmez	

ADDITIONAL SPECIFICATIONS

UV resistant	Easy install, paintable, self-extinguishing
Economic and adaptable	
Resistant to acids, oils and greases	
Non-conductive	



Ölçü Size	Ref. Kodu Code	W (mm)	H (mm)	Ambalajlı Mikser Quantity/Pack (m)	Hacim Volume (m <sup>3</sup> )	Ağırlık Weight (kg)	Kapasite kg/m Load Capacity	Alan (mm <sup>2</sup> ) Load Area
50 x 50	FTC T105005 0	50	50	40	0,083	18,0	10,4	2241,5
60 x 40	FTC T106004 0	60	40	48	0,083	19,2	10,0	2126,8
60 x 60	FTC T106006 0	60	60	40	0,100	20,5	12,1	3271,9
75 x 50	FTC T107505 0	75	50	32	0,083	19,9	14,4	3401,6
80 x 40	FTC T108004 0	80	40	36	0,083	18,5	12,3	2864,8
80 x 60	FTC T108006 0	80	60	32	0,100	20,7	15,9	4368,4

Standards EN 50085-2-1



Standart üretim 2 m'dir. İstenilen boyda üretim yapılabilir.  
Standard length 2 m. Other lengths available.

Naylon ambalajda üretim yapılabilir.  
Nylon Package available.

Kurun çemeyen çevreye saygılı PVC hammaddeden üretilir.  
Lead-free environment friendly PVC material.

PVC KABLO KANALLARI  
PVC CABLE TRUNKINGS

A Serisi Maxi Kanal

A Series Maxi Trunking



GENEL ÖZELLİKLER

Ham madde	PVC UL94, V0 M1
Darbe dayanımı	2 Joule
Çalışma sıcaklığı	-25 / +65 C°
Renk	Beyaz RAL9010
Koruma Sınıfı	IP40
Yangın Dayanımı	960 C°'ye kadar
Tip	2 CTS

EK ÖZELLİKLER

UV dayanımı
Kolay kurulum, boyanabilir, alev yamaz
Ekonomik ve adaptasyonu kolay
Asit ve yağlara karşı dayanımlı
Elektrik iletmez

GENERAL SPECIFICATIONS

Raw material	PVC UL94, V0 M1
Impact resistance	2 Joule
Operating temperature	-25 / +65 C°
Colour	White RAL9010
IP Ingress Protection	IP40
Fire Resistant	Up to 960 C°
Type	2 Cable Trunking Systems

ADDITIONAL SPECIFICATIONS

UV resistant
Easy installation, paintable, self-extinguishing
Economic and adaptable
Resistant to acids, oils and greases
Non-conductive

Ölçü / Size	Ref. Kodu / Code	W (mm)	H (mm)	Ambalajlı Miktar / Quantity/Pack (m)	Hacim / Volume (m <sup>3</sup> )	Ağırlık / Weight (kg)	Kapasite / Capacity (kg/m)	Alan (mm <sup>2</sup> ) / Load ing Area
100 x 40	FTC T1100040	100	40	28	0,083	18,1	16,7	3546,1
100 x 60	FTC T1100060	100	60	24	0,100	19,8	20,0	5456,0
120 x 60	FTC T1120060	120	60	20	0,100	19,1	22,2	6596,3

Standards EN 50085-2-1



Standart üretim 2 m'dir. İstenilen boyda üretim yapılabilir.  
Standard length 2 m. Other lengths available.

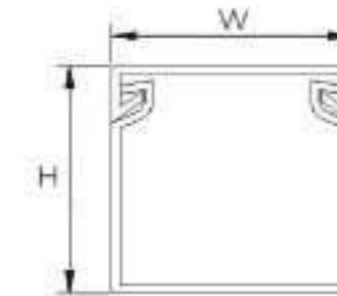
Naylon ambalajda üretim yapılabilir.  
Nylon Package available.

Kurun çermeyen çevreye saygılı PVC ham maddeden üretilir.  
Lead-free environment friendly PVC material.

PVC KABLO KANALLARI  
PVC CABLE TRUNKINGS

A Serisi Self yapışkanlı Mini Kanal

A Series Self Adhesive Mini Trunking



GENEL ÖZELLİKLER

Ham madde	PVC UL94, V0 M1
Darbe dayanımı	0,5 - 1 Joule
Çalışma sıcaklığı	-25 / +65 C°
Renk	Beyaz RAL9010
Koruma Sınıfı	IP40
Yangın Dayanımı	960 C°'ye kadar
Tip	2 CTS

EK ÖZELLİKLER

UV dayanımı
Kolay kurulum, boyanabilir, alev yamaz
Ekonomik ve adaptasyonu kolay
Asit ve yağlara karşı dayanımlı
Elektrik iletmez
Akrilik bazlı yapışkanlı bant

GENERAL SPECIFICATIONS

Raw material	PVC UL94, V0 M1
Impact resistance	0,5 - 1 Joule
Operating temperature	-25 / +65 C°
Colour	White RAL9010
IP Ingress Protection	IP40
Fire Resistant	Up to 960 C°
Type	2 Cable Trunking Systems

ADDITIONAL SPECIFICATIONS

UV resistant
Easy installation, paintable, self-extinguishing
Economic and adaptable
Resistant to acids, oils and greases
Non-conductive
Acrylic-based adhesive tape

Ölçü / Size	Ref. Kodu / Code	W (mm)	H (mm)	Ambalajlı Miktar / Quantity/Pack (m)	Hacim / Volume (m <sup>3</sup> )	Ağırlık / Weight (kg)	Kapasite / Capacity (kg/m)	Alan (mm <sup>2</sup> ) / Load ing Area
12 x 12	FTC T2012012	12	12	378	0,063	21,9	1,5	103,1
15 x 10	FTC T2015010	15	10	340	0,063	21,1	1,6	107,7
16 x 16	FTC T2016016	16	16	266	0,083	25,7	2,3	193,9
20 x 10	FTC T2020010	20	10	240	0,063	20,9	2,3	154,3
20 x 13	FTC T2020013	20	13	270	0,083	22,7	1,8	210,4
25 x 16	FTC T2025016	25	16	168	0,083	21,6	2,6	318,3
25 x 25	FTC T2025025	25	25	130	0,100	21,3	4,0	522,4
30 x 20	FTC T2030020	30	20	120	0,083	20,3	3,8	803,9
40 x 16	FTC T2040016	40	16	98	0,083	18,9	4,4	521,4
40 x 25	FTC T2040025	40	25	80	0,100	17,8	5,6	848,1
40 x 40	FTC T2040040	40	40	72	0,083	21,4	6,7	1418,1

Standards EN 50085-2-1



Standart üretim 2 m'dir. İstenilen boyda üretim yapılabilir.  
Standard length 2 m. Other lengths available.

Naylon ambalajda üretim yapılabilir.  
Nylon Package available.

Kurun çermeyen çevreye saygılı PVC ham maddeden üretilir.  
Lead-free environment friendly PVC material.

PVC KABLO KANALLARI  
PVC CABLE TRUNKINGS

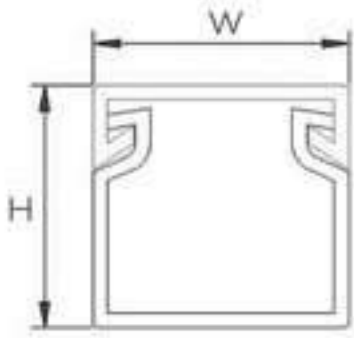
PVC KABLO KANALLARI  
PVC CABLE TRUNKINGS

Series Mini Kanal

Series Mini Trunking

Series Midi Kanal

Series Midi Trunking



GENEL ÖZELLİKLER

Ham madde	PVC UL94, V0 M1
Darbe dayanımı	1 - 2 Joule
Çalışma sıcaklığı	-25 / +65 C <sup>0</sup>
Renk	Beyaz RAL 9010
Koruma Sınıfı	IP40
Yangın Dayanımı	960 C <sup>0</sup> 'ye kadar
Tip	2 C TS

EK ÖZELLİKLER

UV dayanımı	
Kolay kurulum, boyana biter, alev yamaz	
Ekonomik ve adaptasyonu kolay	
Asit ve yağlara karşı dayanımlı	
Elektrik iletmez	

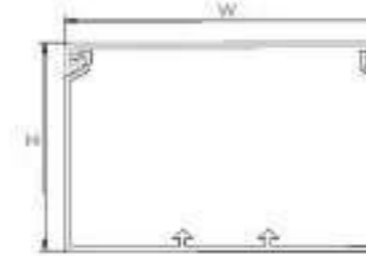
GENERAL SPECIFICATIONS

Raw material	PVC UL94, V0 M1
Impact resistance	1 - 2 Joule
Operating temperature	-25 / +65 C <sup>0</sup>
Colour	White RAL 9010
IP Ingress Protection	IP40
Fire Resistant	Up to 960 C <sup>0</sup>
Type	2 Cable Trunking Systems

ADDITIONAL SPECIFICATIONS

UV resistant	
Easy install, paintable, self-extinguishing	
Economic and adaptable	
Resistant to acids, oils and greases	
Non-conductive	

Ölçü / Size	Ref. Kodu / Code	W (mm)	H (mm)	Ambalajlı Miktar / Quantity/Pack (m)	Hacim / Volume (m <sup>3</sup> )	Ağırlık / Weight (kg)	Kapasite kg/m / Load ing Capac. ity	Alan (mm <sup>2</sup> ) / Load ing Area
12 x 12	FTCT3012012	12	12	378	0,063	23,7	1,7	100,1
15 x 10	FTCT3015010	15	10	340	0,063	22,1	1,75	100,5
16 x 16	FTCT3016016	16	16	266	0,083	27,8	2,5	187,8
20 x 10	FTCT3020010	20	10	240	0,063	22,6	2,0	136,7
20 x 13	FTCT3020013	20	13	300	0,083	26,7	2,5	200,5
25 x 16	FTCT3025016	25	16	168	0,083	23,0	2,9	304,4
25 x 25	FTCT3025025	25	25	130	0,100	22,1	4,4	518,0
30 x 20	FTCT3030020	30	20	120	0,083	21,6	4,0	788,0
40 x 16	FTCT3040016	40	16	98	0,083	19,8	4,7	511,3
40 x 25	FTCT3040025	40	25	80	0,100	18,9	5,8	841,2
40 x 40	FTCT3040040	40	40	72	0,083	22,8	7,0	1411,5



GENEL ÖZELLİKLER

Ham madde	PVC UL94, V0 M1
Darbe dayanımı	1 - 2 Joule
Çalışma sıcaklığı	-25 / +65 C <sup>0</sup>
Renk	Beyaz RAL 9010
Koruma Sınıfı	IP40
Yangın Dayanımı	960 C <sup>0</sup> 'ye kadar
Tip	2 C TS

EK ÖZELLİKLER

UV dayanımı	
Kolay kurulum, boyana biter, alev yamaz	
Ekonomik ve adaptasyonu kolay	
Asit ve yağlara karşı dayanımlı	
Elektrik iletmez	

GENERAL SPECIFICATIONS

Raw material	PVC UL94, V0 M1
Impact resistance	1 - 2 Joule
Operating temperature	-25 / +65 C <sup>0</sup>
Colour	White RAL 9010
IP Ingress Protection	IP40
Fire Resistant	Up to 960 C <sup>0</sup>
Type	2 Cable Trunking Systems

ADDITIONAL SPECIFICATIONS

UV resistant	
Easy install, paintable, self-extinguishing	
Economic and adaptable	
Resistant to acids, oils and greases	
Non-conductive	

Ölçü / Size	Ref. Kodu / Code	W (mm)	H (mm)	Ambalajlı Miktar / Quantity/Pack (m)	Hacim / Volume (m <sup>3</sup> )	Ağırlık / Weight (kg)	Kapasite kg/m / Load ing Capac. ity	Alan (mm <sup>2</sup> ) / Load ing Area
50 x 50	FTCT3050050	50	50	40	0,083	19,6	10,7	2227,4
60 x 40	FTCT3060040	60	40	48	0,083	20,9	10,5	2126,2
60 x 60	FTCT3060060	60	60	40	0,100	22,5	12,4	3237,7
75 x 50	FTCT3075050	75	50	32	0,083	21,4	14,8	3384,2
80 x 40	FTCT3080040	80	40	36	0,083	20,3	12,7	2829,9
80 x 60	FTCT3080060	80	60	32	0,100	22,7	16,5	4375,1

Standards EN 50085-2-1



Standart üretim 2 m'dir. İstenilen boyda üretim yapılabilir.  
Standard length 2 m. Other lengths available.

Naylon ambalajda üretim yapılabilir.  
Nylon Package available

Kurşun içermeyen çevreye saygılı PVC hammaddeden üretilir.  
Lead-free environment friendly PVC material.

Standards EN 50085-2-1



Standart üretim 2 m'dir. İstenilen boyda üretim yapılabilir.  
Standard length 2 m. Other lengths available.

Naylon ambalajda üretim yapılabilir.  
Nylon Package available

Kurşun içermeyen çevreye saygılı PVC hammaddeden üretilir.  
Lead-free environment friendly PVC material.

PVC KABLO KANALLARI  
PVC CABLE TRUNKINGS

40 x 16 Kanal Ek Parçalar

40 x 16 Trunking Fittings



Kod Code	FTIC1 04001 6	FTEC1 04001 6	FTLC 104001 6	FTTC1 04001 6	FTBC1 04001 6	FTJP1 04001 6
Ürün Tanımı	İç Köşe	Dış Köşe	L Köşe	T Köşe	Sonlandırma	Birleştirme
Description	Internal Corner	External Corner	L Piece	T Piece	Blind Cap	Joining
Kutu İçi Miktar ( Ad ) Piece s in Box	32	30	24	34	25	100
Kutu Hacmi (m <sup>3</sup> ) Box Volume	0,003	0,003	0,003	0,003	0,003	0,003
Ağırlık (kg) Weight	0,38	0,44	0,45	0,40	0,09	0,40

40 x 25 Kanal Ek Parçalar

40 x 25 Trunking Fittings



Kod Code	FTIC1 04002 5	FTEC1 04002 5	FTLC 104002 5	FTTC1 04002 5	FTBC1 04002 5	FTJP1 04002 5
Ürün Tanımı	İç Köşe	Dış Köşe	L Köşe	T Köşe	Sonlandırma	Birleştirme
Description	Internal Corner	External Corner	L Piece	T Piece	Blind Cap	Joining
Kutu İçi Miktar ( Ad ) Piece s in Box	24	30	18	24	25	70
Kutu Hacmi (m <sup>3</sup> ) Box Volume	0,003	0,003	0,003	0,003	0,003	0,003
Ağırlık (kg) Weight	0,35	0,70	0,38	0,35	0,15	0,28

40 x 40 Kanal Ek Parçalar

40 x 40 Trunking Fittings



Kod Code	FTIC1 04004 0	FTEC1 04004 0	FTLC 104004 0	FTTC1 04004 0	FTBC1 04004 0	FTJP1 04004 0
Ürün Tanımı	İç Köşe	Dış Köşe	L Köşe	T Köşe	Sonlandırma	Birleştirme
Description	Internal Corner	External Corner	L Piece	T Piece	Blind Cap	Joining
Kutu İçi Miktar ( Ad ) Piece s in Box	18	10	48	60	25	100
Kutu Hacmi (m <sup>3</sup> ) Box Volume	0,003	0,003	0,003	0,003	0,003	0,003
Ağırlık (kg) Weight	0,44	0,29	1,26	1,27	0,15	0,43

PVC KABLO KANALLARI  
PVC CABLE TRUNKINGS

60 x 40 Kanal Ek Parçalar

60 x 40 Trunking Fittings



Kod Code	FTIC1 06004 0	FTEC1 06004 0	FTLC 106004 0	FTTC1 06004 0	FTBC1 06004 0	FTJP1 06004 0
Ürün Tanımı	İç Köşe	Dış Köşe	L Köşe	T Köşe	Sonlandırma	Birleştirme
Description	Internal Corner	External Corner	L Piece	T Piece	Blind Cap	Joining
Kutu İçi Miktar ( Ad ) Piece s in Box	26	32	32	40	50	40
Kutu Hacmi (m <sup>3</sup> ) Box Volume	0,003	0,003	0,003	0,003	0,003	0,003
Ağırlık (kg) Weight	1,00	1,00	1,16	1,48	0,51	0,40

60 x 60 Kanal Ek Parçalar

60 x 60 Trunking Fittings



Kod Code	FTIC1 06006 0	FTEC1 06006 0	FTLC 106006 0	FTTC1 06006 0	FTBC1 06006 0	FTJP1 06006 0
Ürün Tanımı	İç Köşe	Dış Köşe	L Köşe	T Köşe	Sonlandırma	Birleştirme
Description	Internal Corner	External Corner	L Piece	T Piece	Blind Cap	Joining
Kutu İçi Miktar ( Ad ) Piece s in Box	16	16	20	24	30	25
Kutu Hacmi (m <sup>3</sup> ) Box Volume	0,003	0,003	0,003	0,003	0,003	0,003
Ağırlık (kg) Weight	0,91	0,90	0,70	1,25	0,71	0,30

80 x 40 Kanal Ek Parçalar

80 x 40 Trunking Fittings



Kod Code	FTIC1 08004 0	FTEC1 08004 0	FTLC 108004 0	FTTC1 08004 0	FTBC1 08004 0	FTJP1 08004 0
Ürün Tanımı	İç Köşe	Dış Köşe	L Köşe	T Köşe	Sonlandırma	Birleştirme
Description	Internal Corner	External Corner	L Piece	T Piece	Blind Cap	Joining
Kutu İçi Miktar ( Ad ) Piece s in Box	18	8	16	12	50	100
Kutu Hacmi (m <sup>3</sup> ) Box Volume	0,003	0,003	0,003	0,003	0,003	0,003
Ağırlık (kg) Weight	0,93	0,74	1,25	1,04	0,69	1,10

PVC KABLO KANALLARI  
PVC CABLE TRUNKINGS

Serisi Maxi Kanal

Series Maxi Trunking



GENEL ÖZELLİKLER

Hammaddede	PVC UL94, V0 M1
Darbe dayanımı	> 2 Joule
Çalışma sıcaklığı	-25 / +65 C <sup>0</sup>
Renk	Beyaz RAL 9010
Koruma Sınıfı	IP40
Yangın Dayanımı	960 C <sup>0</sup> 'ye kadar
Tip	2 CTS

EK ÖZELLİKLER

UV dayanımı	
Kolay kurulum, boyana bilir, alev yamaz	
Ekonomik ve adapasyonu kolay	
Asit ve yağlara karşı dayanımlı	
Elektrik iletmez	

GENERAL SPECIFICATIONS

Raw material	PVC UL94, V0 M1
Impact resistance	> 2 Joule
Operating temperature	-25 / +65 C <sup>0</sup>
Colour	White RAL 9010
IP Ingress Protection	IP40
Fire Resistant	Up to 960 C <sup>0</sup>
Type	2 Cable Trunking Systems

ADDITIONAL SPECIFICATIONS

UV resistant	
Easy install, paintable, self-extinguishing	
Economic and adaptable	
Resistant to acids, oils and greases	
Non-conductive	

Ölçü Size	Ref. Kodu Code	W (mm)	H (mm)	Ambalajlı Miktar Quantity/Pack (m)	Hacim Volume (m <sup>3</sup> )	Ağırlık Weight (kg)	Kapasite/kg/m Loading Capacity	Alan (mm <sup>2</sup> ) Loading Area
100 x 40	FTC T3100040	100	40	14	0,083	20,0	17,1	3497,3
100 x 60	FTC T3100060	100	60	12	0,100	21,7	20,3	5439,5
120 x 60	FTC T3120060	120	60	10	0,100	20,9	22,5	6535,3

Standards: EN 50085-2-1



Standart Üretim 2 m'dir. İstenilen boyda üretim yapılabilir.  
Standard length 2 m. Other lengths available.

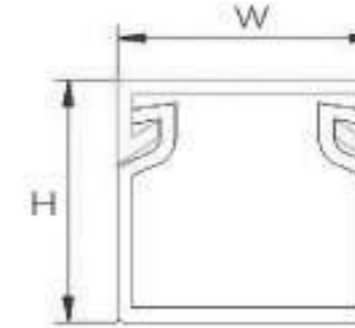
Naylon ambalajla üretim yapılabilir.  
Nylon Package available.

Kurşun içermeyen çevreye saygılı PVC hammaddeden üretilir.  
Lead-Free environment friendly PVC material.

PVC KABLO KANALLARI  
PVC CABLE TRUNKINGS

Serisi Yaşışkanlı Mini Kanal

Series Self Adhesive Mini Trunking



GENEL ÖZELLİKLER

Hammaddede	PVC UL94, V0 M1
Darbe dayanımı	1 - 2 Joule
Çalışma sıcaklığı	-25 / +65 C <sup>0</sup>
Renk	Beyaz RAL 9010
Koruma Sınıfı	IP40
Yangın Dayanımı	960 C <sup>0</sup> 'ye kadar
Tip	2 CTS

EK ÖZELLİKLER

UV dayanımı	
Kolay kurulum, boyana bilir, alev yamaz	
Ekonomik ve adapasyonu kolay	
Asit ve yağlara karşı dayanımlı	
Elektrik iletmez	

GENERAL SPECIFICATIONS

Raw material	PVC UL94, V0 M1
Impact resistance	1 - 2 Joule
Operating temperature	-25 / +65 C <sup>0</sup>
Colour	White RAL 9010
IP Ingress Protection	IP40
Fire Resistant	Up to 960 C <sup>0</sup>
Type	2 Cable Trunking Systems

ADDITIONAL SPECIFICATIONS

UV resistant	
Easy install, paintable, self-extinguishing	
Economic and adaptable	
Resistant to acids, oils and greases	
Non-conductive	

Ölçü Size	Ref. Kodu Code	W (mm)	H (mm)	Ambalajlı Miktar Quantity/Pack (m)	Hacim Volume (m <sup>3</sup> )	Ağırlık Weight (kg)	Kapasite/kg/m Loading Capacity	Alan (mm <sup>2</sup> ) Loading Area
12 x 12	FTC T4012012	12	12	378	0,063	23,7	1,7	100,1
15 x 10	FTC T4015010	15	10	340	0,063	22,1	1,75	100,5
16 x 16	FTC T4016016	16	16	266	0,083	27,8	2,5	187,8
20 x 10	FTC T4020010	20	10	240	0,063	22,6	2,0	136,7
20 x 13	FTC T4020013	20	13	300	0,083	26,7	2,5	200,5
25 x 16	FTC T4025016	25	16	168	0,083	23,0	2,9	304,4
25 x 25	FTC T4025025	25	25	130	0,100	22,1	4,4	518,0
30 x 20	FTC T4030020	30	20	120	0,083	21,6	4,0	788,0
40 x 16	FTC T4040016	40	16	98	0,083	19,8	4,7	511,3
40 x 25	FTC T4040025	40	25	80	0,100	18,9	5,8	841,2
40 x 40	FTC T4040040	40	40	72	0,083	22,8	7,0	1411,5

Standards: EN 50085-2-1



Standart Üretim 2 m'dir. İstenilen boyda üretim yapılabilir.  
Standard length 2 m. Other lengths available.

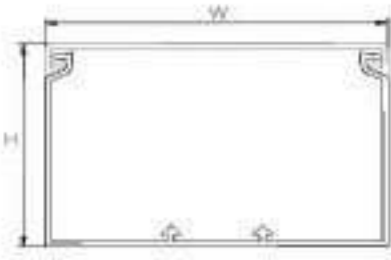
Naylon ambalajla üretim yapılabilir.  
Nylon Package available.

Kurşun içermeyen çevreye saygılı PVC hammaddeden üretilir.  
Lead-Free environment friendly PVC material.

PVC KABLO KANALLARI  
PVC CABLE TRUNKINGS

Serisi Ya pışkan lı Midi Kanal

Serisi Self Adhesive Midi Trunking



GENEL ÖZELLİKLER

Ham madd e	PVC UL94, V0 M1
Da rbe daya nımı	2 Joule
Ç a lış ma s ıc a klığı	-25 / +65 C °
Renk	Beyaz RAL 9010
Koruma Sınıfı	IP40
Yangın Dayanımı	960 C ° 'ye kadar
Tip	2 C TS

EK ÖZELLİKLER

UV dayanımı	
Kolay kurulum, boyana bilir, a lev yaymaz	
Ekonomik ve a da p tasyon u kolay	
Asit ve yağ lara karşı dayanımlı	
Elektrik iletmez	
Akrilik bazlı yapışkanlı bant	

Ölçü Size	Ref. Kodu Code	W (mm)	H (mm)	Ambalajlı Miktar Quantity/Pack (m)	Hacim Volume (m <sup>3</sup> )	Ağırlık Weight (kg)	Kapasite kg/m Loading Capacity	Alan (mm <sup>2</sup> ) Loading Area
50 x 50	FTC T4050050	50	50	40	0,083	19,6	10,7	2227,4
60 x 40	FTC T4060040	60	40	48	0,083	20,9	10,5	2126,2
60 x 60	FTC T4060060	60	60	40	0,100	22,5	12,4	3237,7
75 x 50	FTC T4075050	75	50	32	0,083	21,4	14,8	3384,2
80 x 40	FTC T4080040	80	40	36	0,083	20,3	12,7	2829,9
80 x 60	FTC T4080060	80	60	32	0,100	22,7	16,5	4375,1

GENERAL SPECIFICATIONS

Raw material	PVC UL94, V0 M1
Impact resistance	
Operating temperature	-25 / +65 C °
Colour	White RAL 9010
IP Ingress Protection	IP40
Fire Resistant	Up to 960 C °
Type	2 Cable Trunking Systems

ADDITIONAL SPECIFICATIONS

UV resistant	
Easy install, paintable, self-extinguishing	
Economic and adaptable	
Resistant to acids, oils and greases	
Non-conductive	
Acrylic-base adhesive tape	

Standards EN 50085-2-1



Standart üretim 2 m'dir. İstenilen boyda üretim yapılabilir.  
Standard length 2 m. Other lengths available.

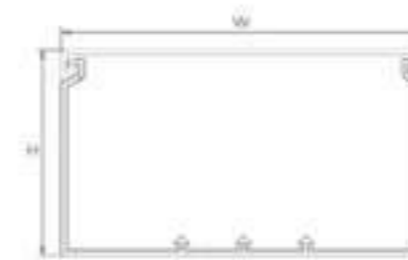
Naylon ambalajla üretim yapılabilir.  
Nylon Package available.

Kurşun içermeyen çevreye saygılı PVC hammaddeden üretilir.  
Lead-free environment friendly PVC material.

PVC KABLO KANALLARI  
PVC CABLE TRUNKINGS

Serisi Ya pışkan lı Maxi Kanal

Serisi Self Adhesive Maxi Trunking



GENEL ÖZELLİKLER

Ham madd e	PVC UL94, V0 M1
Da rbe daya nımı	> 2 Joule
Ç a lış ma s ıc a klığı	-25 / +65 C °
Renk	Beyaz RAL 9010
Koruma Sınıfı	IP40
Yangın Dayanımı	960 C ° 'ye kadar
Tip	2 C TS

EK ÖZELLİKLER

UV dayanımı	
Kolay kurulum, boyana bilir, a lev yaymaz	
Ekonomik ve a da p tasyon u kolay	
Asit ve yağ lara karşı dayanımlı	
Elektrik iletmez	
Akrilik bazlı yapışkanlı bant	

Ölçü Size	Ref. Kodu Code	W (mm)	H (mm)	Ambalajlı Miktar Quantity/Pack (m)	Hacim Volume (m <sup>3</sup> )	Ağırlık Weight (kg)	Kapasite kg/m Loading Capacity	Alan (mm <sup>2</sup> ) Loading Area
100 x 40	FTC T4100040	100	40	14	0,083	20,0	17,1	3497,3
100 x 60	FTC T4100060	100	60	12	0,100	21,7	20,3	5439,5
120 x 60	FTC T4120060	120	60	10	0,100	20,9	22,5	6535,3

GENERAL SPECIFICATIONS

Raw material	PVC UL94, V0 M1
Impact resistance	> 2 Joule
Operating temperature	-25 / +65 C °
Colour	White RAL 9010
IP Ingress Protection	IP40
Fire Resistant	Up to 960 C °
Type	2 Cable Trunking Systems

ADDITIONAL SPECIFICATIONS

UV resistant	
Easy install, paintable, self-extinguishing	
Economic and adaptable	
Resistant to acids, oils and greases	
Non-conductive	
Acrylic-base adhesive tape	

Standards EN 50085-2-1



Standart üretim 2 m'dir. İstenilen boyda üretim yapılabilir.  
Standard length 2 m. Other lengths available.

Naylon ambalajla üretim yapılabilir.  
Nylon Package available.

Kurşun içermeyen çevreye saygılı PVC hammaddeden üretilir.  
Lead-free environment friendly PVC material.

PVC KABLO KANALLARI  
PVC CABLE TRUNKINGS

12 x 12 Kanal Ek Parçaları

12 x 12 Trunking Fittings



Kod Code	FTIC1 01201 2	FTEC1 01201 2	FTLC 101201 2	FTTC1 01201 2	FTBC1 01201 2	FTJP1 01201 2
Ürün Tanımı	İç Köşe	Dış Köşe	L Köşe	T Köşe	Sonlandırma	Birleştirme
Description	Internal Corner	External Corner	L Piece	T Piece	Blind Cap	Joining
Kutu İçi Miktar ( Ad ) Piece s in Box	60	60	60	60	100	100
Kutu Hacmi (m <sup>3</sup> ) Box Volume	0,001	0,001	0,001	0,001	0,001	0,001
Ağırlık (kg) Weight	0,13	0,17	0,17	0,15	0,13	0,14

15 x 10 Kanal Ek Parçaları

15 x 10 Trunking Fittings

Kod Code	FTIC1 01501 0	FTEC1 01501 0	FTLC 101501 0	FTTC1 01501 0	FTBC1 01501 0	FTJP1 01501 0
Ürün Tanımı	İç Köşe	Dış Köşe	L Köşe	T Köşe	Sonlandırma	Birleştirme
Description	Internal Corner	External Corner	L Piece	T Piece	Blind Cap	Joining
Kutu İçi Miktar ( Ad ) Piece s in Box	60	60	60	60	100	100
Kutu Hacmi (m <sup>3</sup> ) Box Volume	0,003	0,003	0,003	0,003	0,003	0,003
Ağırlık (kg) Weight	0,13	0,18	0,18	0,23	0,15	0,16

16 x 16 Kanal Ek Parçaları

16 x 16 Trunking Fittings

Kod Code	FTIC1 01601 6	FTEC1 01601 6	FTLC 101601 6	FTTC1 01601 6	FTBC1 01601 6	FTJP1 01601 6
Ürün Tanımı	İç Köşe	Dış Köşe	L Köşe	T Köşe	Sonlandırma	Birleştirme
Description	Internal Corner	External Corner	L Piece	T Piece	Blind Cap	Joining
Kutu İçi Miktar ( Ad ) Piece s in Box	60	60	60	60	100	100
Kutu Hacmi (m <sup>3</sup> ) Box Volume	0,003	0,003	0,003	0,003	0,003	0,003
Ağırlık (kg) Weight	0,16	0,19	0,24	0,18	0,18	0,19

PVC KABLO KANALLARI  
PVC CABLE TRUNKINGS

20 x 10 Kanal Ek Parçaları

20 x 10 Trunking Fittings



Kod Code	FTIC1 02001 0	FTEC1 02001 0	FTLC 102001 0	FTTC1 02001 0	FTBC1 02001 0	FTJP1 02001 0
Ürün Tanımı	İç Köşe	Dış Köşe	L Köşe	T Köşe	Sonlandırma	Birleştirme
Description	Internal Corner	External Corner	L Piece	T Piece	Blind Cap	Joining
Kutu İçi Miktar ( Ad ) Piece s in Box	60	60	30	50	100	100
Kutu Hacmi (m <sup>3</sup> ) Box Volume	0,001	0,001	0,001	0,001	0,001	0,001
Ağırlık (kg) Weight	0,16	0,17	0,14	0,21	0,16	0,15

25 x 16 Kanal Ek Parçaları

25 x 16 Trunking Fittings

Kod Code	FTIC1 02501 6	FTEC1 02501 6	FTLC 102501 6	FTTC1 02501 6	FTBC1 02501 6	FTJP1 02501 6
Ürün Tanımı	İç Köşe	Dış Köşe	L Köşe	T Köşe	Sonlandırma	Birleştirme
Description	Internal Corner	External Corner	L Piece	T Piece	Blind Cap	Joining
Kutu İçi Miktar ( Ad ) Piece s in Box	60	60	60	60	100	100
Kutu Hacmi (m <sup>3</sup> ) Box Volume	0,003	0,003	0,003	0,003	0,003	0,003
Ağırlık (kg) Weight	0,23	0,28	0,39	0,27	0,28	0,21

25 x 25 Kanal Ek Parçaları

25 x 25 Trunking Fittings

Kod Code	FTIC1 02502 5	FTEC1 02502 5	FTLC 102502 5	FTTC1 02502 5	FTBC1 02502 5	FTJP1 02502 5
Ürün Tanımı	İç Köşe	Dış Köşe	L Köşe	T Köşe	Sonlandırma	Birleştirme
Description	Internal Corner	External Corner	L Piece	T Piece	Blind Cap	Joining
Kutu İçi Miktar ( Ad ) Piece s in Box	40	40	24	40	100	50
Kutu Hacmi (m <sup>3</sup> ) Box Volume	0,003	0,003	0,003	0,003	0,003	0,003
Ağırlık (kg) Weight	0,34	0,45	0,45	0,33	0,26	0,13

PVC KABLO KANALLARI  
PVC CABLE TRUNKINGS

100 x 50 Modüler Sistem Kablo Kanal

100 x 50 Modular System Cable Trunking



GENEL ÖZELLİKLER

Ham madde	PVC UL94, V0 M1
Darbe dayanımı	Yüksek
Çalışma sıcaklığı	-25 / +65 C°
Renk	Beyaz RAL 9010
Koruma Sınıfı	IP40
Yangın Dayanımı	960 C° 'ye kadar
Tip	2 CTS

GENERAL SPECIFICATIONS

Raw material	PVC UL94, V0 M1
Impact resistance	High
Operating temperature	-25 / +65 C°
Colour	White RAL 9010
IP Ingress Protection	IP40
Fire Resistant	Up to 960 C°
Type	2 Cable Trunking Systems

EK ÖZELLİKLER

UV dayanımı	Kolay kurulum, boyanabilir, alev yamaz
Kolay soket ve aksesuar uygulanabilir	Kolay soket ve aksesuar uygulanabilir
Asit ve yağlara karşı dayanıklı	Asit ve yağlara karşı dayanıklı
Elektrik iletmez	Elektrik iletmez
4 bölmeye kadar uygulanabilir	4 bölmeye kadar uygulanabilir
Folyo korumalı ve içten kapaklı	Folyo korumalı ve içten kapaklı

ADDITIONAL SPECIFICATIONS

UV resistant	Easy installation, paintable, self-extinguishing
Easy to add sockets and outlets	Easy to add sockets and outlets
Resistant to acids, oils and greases	Resistant to acids, oils and greases
Non-conductive	Non-conductive
Up to 4 compartments	Up to 4 compartments
Foil tape protected and inner cover	Foil tape protected and inner cover

Dışi / Size	Ref. Kodu / Code	W (mm)	H (mm)	Ambalaj / Miktar / Quantity / Pack (m)	Hacim / Volume (m³)	Ağırlık / Weight (kg)	Kapasite / kg / m / Loading Capacity	Alan / mm² / Loading Area
100 x 50	FTC T110005 0	100	50	16	0,067	16,0	22,5	4431,2
Bantlı - Adhesive								
100 x 50	FTC T210005 0	100	50	16	0,067	16,3	22,5	4431,2
A + Serisi - A + Series								
100 x 50	FTC T310005 0	100	50	16	0,067	19,6	22,8	4367,9
A + Serisi Bantlı - A + Series Adhesive								
100 x 50	FTC T410005 0	100	50	16	0,067	19,8	22,8	4367,9
Separatör								
35	FTC T000350 0	18,2	40,67	100	0,067	18,0	5,6	-

Standards EN 50085-2-1



Standart üretim 2 m'dir, istenilen boyda üretim yapılabilir.  
Standard length 2 m. Other lengths available.

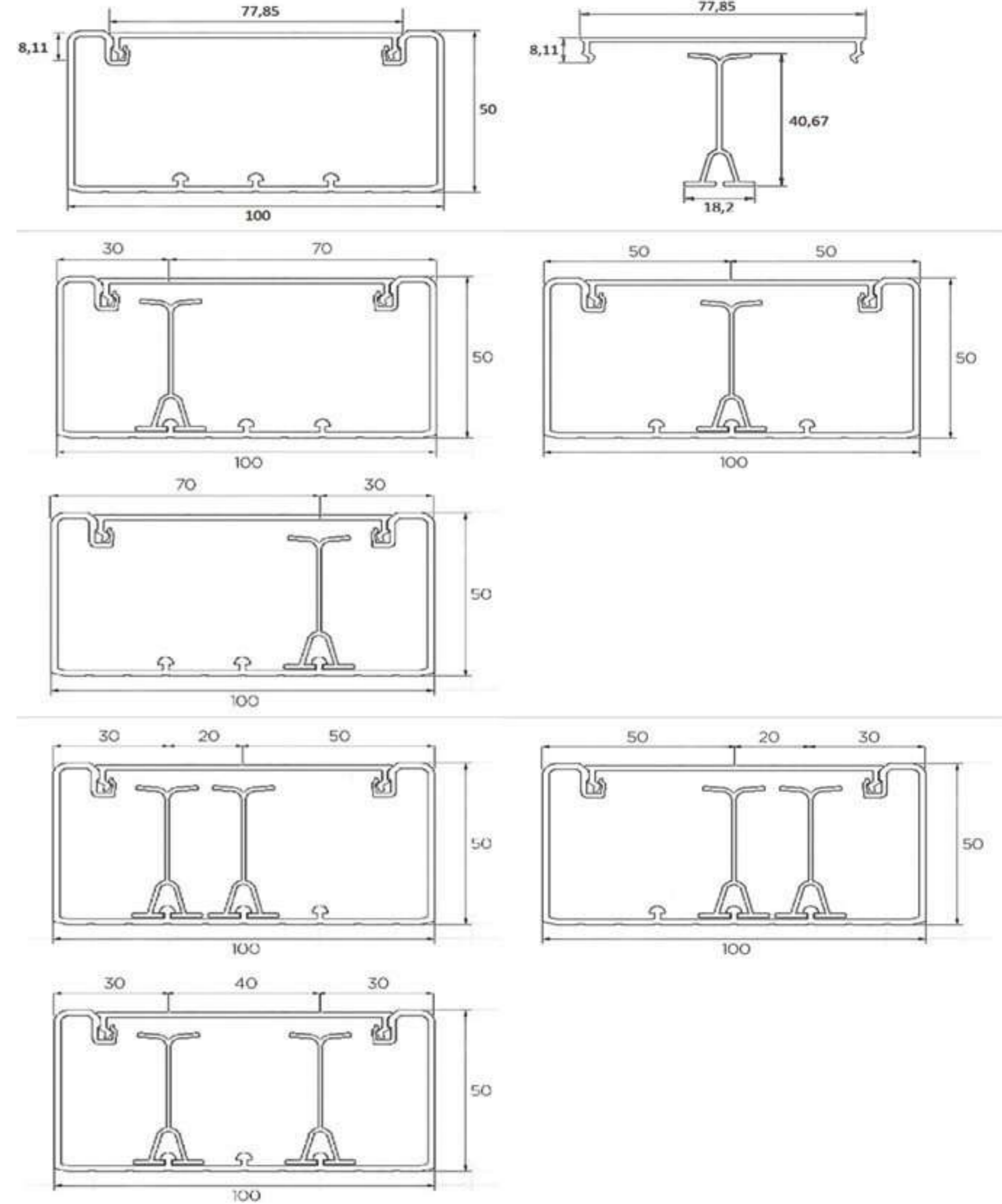
Naylon ambalajda üretim yapılabilir.  
Nylon Package available.

Kurşun içermeyen çevreye saygılı PVC hammaddeden üretilir.  
Lead-free environment friendly PVC material.

PVC KABLO KANALLARI  
PVC CABLE TRUNKINGS

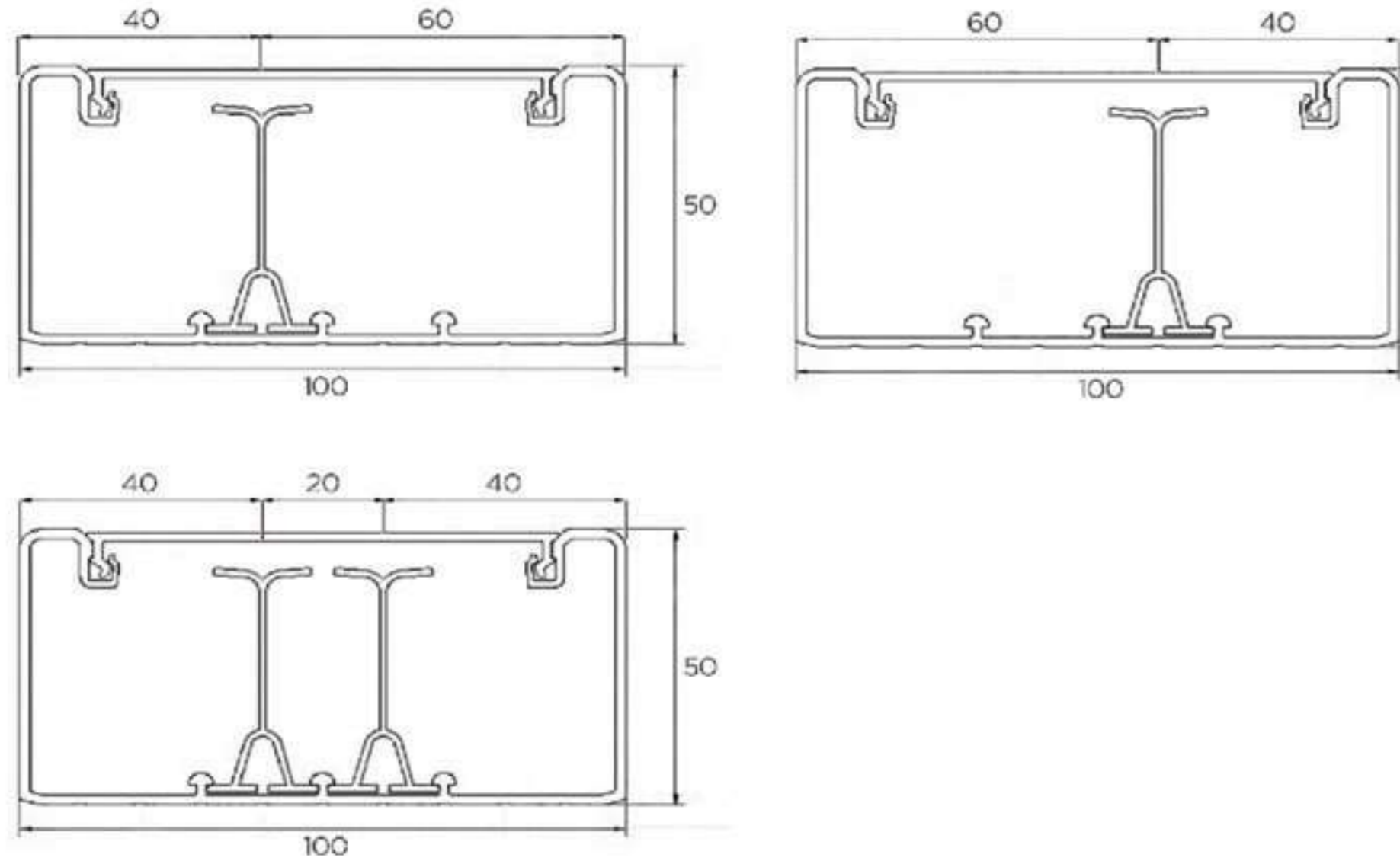
100 x 50 Modüler Sistem Kablo Kanal Ölçüleri

100 x 50 Modular System Trunking Dimensions



PVC KABLO KANALLARI  
PVC CABLE TRUNKINGS

100 x 50 Modüler S. Kablo Kanal Ölçüleri  
100 x 50 Modular S. Trunking Dimensions



PVC KABLO KANALLARI  
PVC CABLE TRUNKINGS

100 x 50 Modüler Sistem Ek Parçaları

100 x 50 Modular System Fittings



Kod	FTIC 110005 0	FTEC 110005 0	FTLC 110005 0	FTTC 110005 0	FTBC 110005 0	JP110005 0
Ürün Tanımı Description	İç Köşe Internal Corner	Dış Köşe External Corner	L Köşe L Piece	T Köşe T Piece	Sonlandırma Blind Cap	Birleştirme Joining
Kutu İç i Miktar (Ad) Pieces in Box	12	10	12	12	24	24
Kutu Hacmi (m <sup>3</sup> ) Box Volume	0,003	0,003	0,003	0,003	0,003	0,003
Ağırlık (kg) Weight	0,80	0,84	0,86	0,89	0,23	0,90
Koli İç i Miktar (Ad) Pieces in Pack	216	180	144	144	240	240
Koli Hacmi (m <sup>3</sup> ) Pack Volume	0,176	0,176	0,136	0,136	0,071	0,077

100 x 50 Modüler Sistem Aksesuarları














100 x 50 Modular System Accessories

Ürün Tanımı - Description	Ref. Kodu Code	Kutu İç i Miktar Pieces in Box	Hacim (m <sup>3</sup> ) Volume	Ağırlık (kg) Weight (kg)
Tekli Priz Montaj Seti Single Frame Set	FTFR100100 0	12	0,001	3,8
İkili Priz Montaj Seti Double Frame Set	FTFR100200 0	12	0,004	4,8
Üç lü Priz Montaj Seti Triple Frame Set	FTFR100300 0	12	0,007	7,1
Dördü Priz Montaj Seti Quadruple Frame Set	FTFR100400 0	20	0,007	1,4
3*3 İngiliz Normu Priz Ç erçe ves i 3*3 British Frame Set	FTFR103003 0	24	0,007	0,4
6*3 İngiliz Normu Priz Ç erçe ves i 6*3 British Frame Set	FTFR106003 0	12	0,007	0,2
Kanal Priz Şebeke Single Power Socket	FTPS1000001	50	0,007	1,7
Kanal Priz Şebeke Çocuk Emniyetli Single Power Socket With Child Protector	FTPS2000001	50	0,007	1,7
Kanal Priz Şebeke 45° Single Power Socket 45°	FTPS1045001	50	0,007	1,7

PVC KABLO KANALLARI  
PVC CABLE TRUNKINGS

100 x 50 Modüler Sistem Aksesuarları

100 x 50 Modular System Accessories

Örün Tanımı - Description	Ref. Kodu Code	Kutu İç i Miktar Pieces in Box	Hacim (m <sup>3</sup> ) Volume	Ağırlık (kg) Weight (kg)
 İkili Kana l Priz Şebeke 45° Double Power Socket 45°	FT PS104500 2	60	0,012	5,0
 Üç lü Kana l Priz Şebeke 45° Triple Power Socket 45°	FT PS104500 3	40	0,012	7,0
 Dört lü Kana l Priz Şebeke 45° Quaduple Power Socket 45°	FT PS104500 4	32	0,012	4,0
 Kana l Priz UPS Single Ups Socket	FT US100000 1	50	0,007	1,7
 Kana l Priz UPS 45° Single Ups Socket 45°	FT US104500 1	50	0,007	1,7
 İkili Kana l Priz UPS 45° Double Ups Socket 45°	FT US104500 2	60	0,012	5,0
 Üç lü Kana l Priz UPS 45° Triple Ups Socket 45°	FT US104500 3	40	0,012	7,0
 Dört lü Kana l Priz UPS 45° Quaduple Ups Socket 45°	FT US104500 4	32	0,012	4,0
 Kana l Priz UPS Çocuk Emniyetli Single Ups Socket With Child Protector	FT US200000 1	50	0,007	1,7
 45°45 Data Kapak 45°45 Single Data Cover	FT DC 104504 5	50	0,003	0,4
 45°45 İkili Data Kapak 45°45 Double Data Cover	FT DC 204504 5	50	0,003	0,4
 45°22,5 Data Kapak 45°22,5 Blank Cover	FT BC104502 3	100	0,006	0,6
 45°22,5 Kapak 45°22,5 Single Data Cover	FT DC 104502 3	50	0,003	0,4
45°22,5 USB Socket 45°22,5 USB Socket	FT SK120590 1	50	0,003	1,3
45°22,5 VGA Socket 45°22,5 VGA Socket	FT SK120600 1	50	0,003	1,3
45°22,5 HDMI Socket 45°22,5 HDMI Socket	FT SK120580 1	50	0,003	1,3
Cat 5E Data Soketi Cat 5 Data Socket	FT DS100500 0	50	0,002	0,3
Cat 6E Data Soketi Cat 6 Data Socket	FT DS100600 0	50	0,002	0,3
RJ11 Telefon Soketi RJ11 Phone Socket	FT PS101100 0	100	0,003	0,4
Cat 6A Data Soketi Cat 6A Data Socket	FT DS200600 0	50	0,002	0,3

PVC KABLO KANALLARI  
PVC CABLE TRUNKINGS

A Serisi Zemin Üstü Kablo Kanalları

A Series Floor Type Trunking



GENEL ÖZELLİKLER

Ham madde	PVC UL94, V0 M1
Darbe dayanımı	Yüksek
Çalışma sıcaklığı	-25 / +65 C°
Renk	Grı RAL 7035
Koruma Sınıfı	IP40
Tip	2 CTS

EK ÖZELLİKLER

UV dayanımı	
Darbe ve kırılmaya yüksek dayanımlı tasarım	
Kolay kurulum, boyanabilir, alev yamaz	
Elektrik, telefon, data kablolarının iletimi için ayrı bölmeler	
Ekonomik ve adapasyonu kolay	
Asit ve yağlara karşı dayanıklı	
Elektrik iletmez	
Alev yamaz	

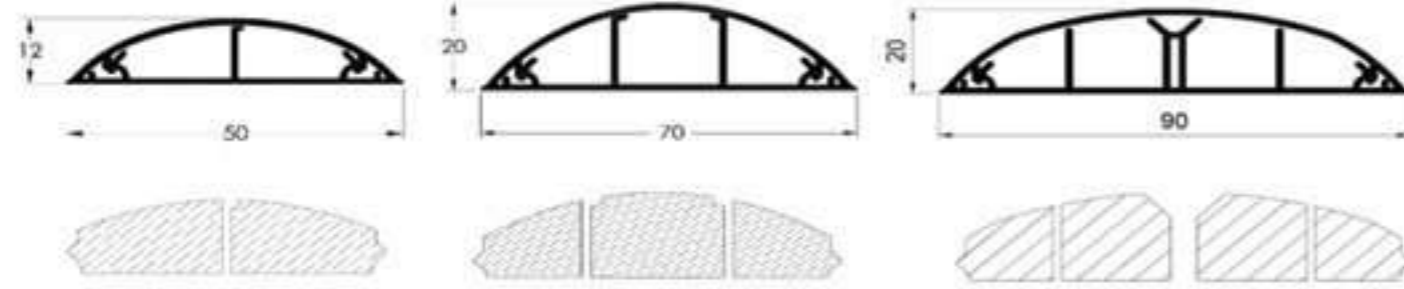
GENERAL SPECIFICATIONS

Raw material	PVC UL94, V0 M1
Impact resistance	High
Operating temperature	-25 / +65 C°
Colour	Grey RAL 7035
IP Ingress Protection	IP40
Type	2 Cable Trunking Systems

ADDITIONAL SPECIFICATIONS

UV resistant	
Shock-proof, high resistance to crushing	
Easy install, paintable, non-flammable	
Different compartments for electric, telephone and data transmission separately	
Economic and adaptable	
Resistant to acids, oils and greases	
Non-conductive	
Nonflammable	

Standards EN 50085-2-1



Ölçü Size	Ref. Kodu Code	W (mm)	H (mm)	Ambalajlı Miktar Quantity/Pack (m)	Hacim Volume (m <sup>3</sup> )	Ağırlık Weight (kg)	Alan (mm <sup>2</sup> ) Loading Area
50 x 12	FT105001 2	50	12	100	0,067	25,0	263,2
70 x 20	FT107002 0	70	20	50	0,090	23,2	661,2
90 x 20	FT109002 0	90	20	40	0,090	27,6	882

İstenilen renklerde üretim yapılabilir.  
Other colors available.

Standart üretim 2 m'dir. İstenilen boyda üretim yapılabilir.  
Standard length 2 m. Other lengths available.

Kurşun içermeyen çevreye saygılı PVC hammaddeden üretilir.  
Lead-Free environment friendly PVC material.



PVC KABLO KANALLARI  
PVC CABLE TRUNKINGS

A Serisi Zemin Üstü Yapışkanlı Kablo Kanalları

A Series Self-Adhesive Floor Type Trunking



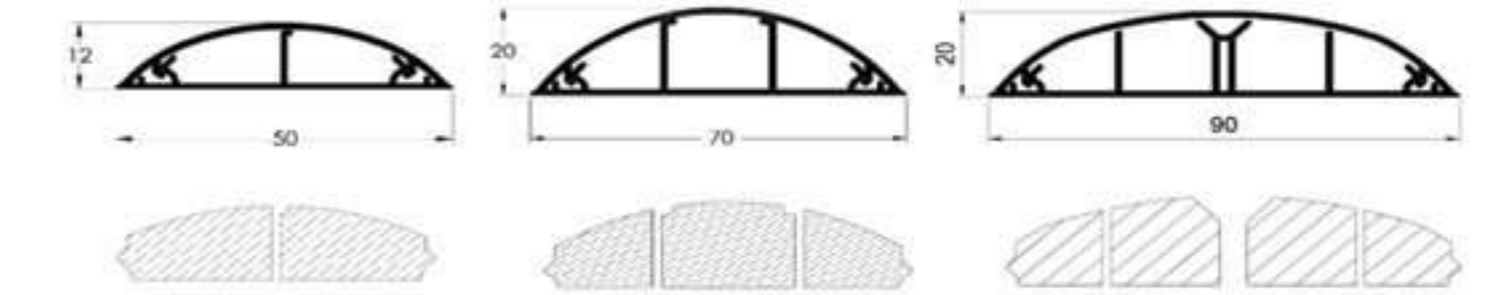
GENEL ÖZELLİKLER

Ham madde	PVC UL94, V0 M1
Darbe dayanımı	Yüksek
Çalışma sıcaklığı	-25 / +65 C°
Renk	Grı RAL 7035
Koruma Sınıfı	IP40
Tip	2 CTS

EK ÖZELLİKLER

UV dayanımı	
Darbe ve kırılmaya yüksek dayanımlı tasarım	
Kolay kurulum, boyanabilir, alev yamaz	
Elektrik, telefon, data kablolarının iletimi için ayrı bölmeler	
Ekonomik ve adapasyonu kolay	
Asit ve yağlara karşı dayanıklı	
Elektrik iletmez	
Alev yamaz	
Akrilik bazlı yapışkanlı bant	

Standards EN 50085-2-1



Ölçü Size	Ref. Kodu Code	W (mm)	H (mm)	Ambalajlı Miktar Quantity/Pack (m)	Hacim Volume (m <sup>3</sup> )	Ağırlık Weight (kg)	Alan (mm <sup>2</sup> ) Loading Area
50 x 12	FT205001 2	50	12	100	0,067	25,8	263,2
70 x 20	FT207002 0	70	20	50	0,090	23,6	661,2
90 x 20	FT209002 0	90	20	40	0,090	28,2	882

İstenilen renklerde üretim yapılabilir.  
Other colors available.

Standart üretim 2 m'dir. İstenilen boyda üretim yapılabilir.  
Standard length 2 m. Other lengths available.

Kurşun içermeyen çevreye saygılı PVC hammaddeden üretilir.  
Lead-Free environment friendly PVC material.



PVC KABLO KANALLARI  
PVC CABLE TRUNKINGS

PVC KABLO KANALLARI  
PVC CABLE TRUNKINGS

A ++ Serisi Zemin Üstü Kablo Kanalları

A ++ Series Floor Type Trunking

NEW!  
1 METER

A ++ Serisi Zemin Üstü Yapışkanlı Kablo Kanalları

A ++ Series Self-Adhesive Floor Type Trunking

NEW!  
1 METER

A ++ ÜRÜN ÖZELLİKLERİ

Küçük paket ölçüleri  
Daha az metraj  
Bütün araçlarla taşınabilir  
Mağazalarda raflarda kolaylıkla stoklanabilir

A ++ PRODUCT SPECIFICATIONS

Small size pack  
Smaller quantity  
Transportable with all vehicles  
Can be easily stored in stores on shelves

GENEL ÖZELLİKLER

Ham madde PVC UL94, V0 M1  
Darbe dayanımı Yüksek  
Çalışma sıcaklığı -25 / +65 C°  
Renk Gri RAL 7035  
Koruma Sınıfı IP40  
Tip 2 CTS

GENERAL SPECIFICATIONS

Raw material PVC UL94, V0 M1  
Impact resistance High  
Operating temperature -25 / +65 C°  
Colour Grey RAL 7035  
IP Ingress Protection IP40  
Type 2 Cable Trunking Systems

EK ÖZELLİKLER

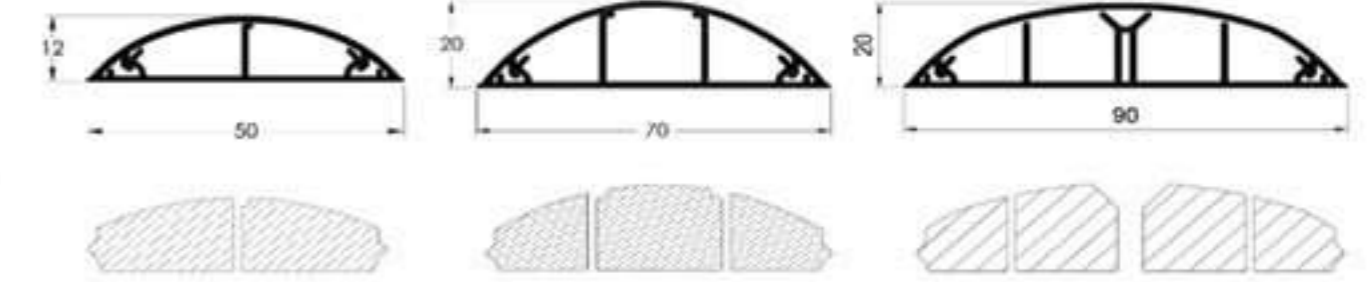
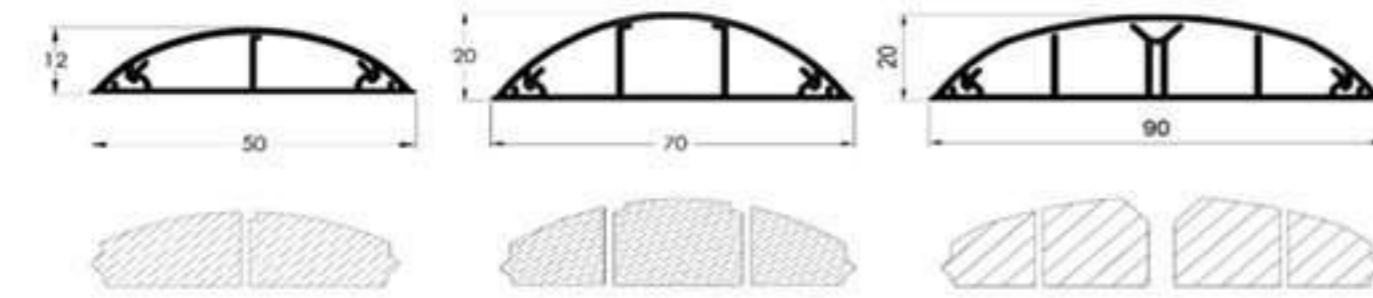
UV dayanımı  
Darbe ve kırılmaya yüksek dayanımlı tasarım  
Kolay kurulum, boyanabilir, alev yamaz  
Elektrik, telefon, data kablolarının iletimi için ayrı bölmeler  
Ekonomik ve adapasyonu kolay  
Asit ve yağlara karşı dayanıklı  
Elektrik iletmez  
Alev yamaz

ADDITIONAL SPECIFICATIONS

UV resistant  
Shock-proof, high resistance to crushing  
Easy install, paintable, non-flammable  
Different compartments for electric, telephone and data transmission separately  
Economic and adaptable  
Resistant to acids, oils and greases  
Non-conductive  
Nonflammable

Standards EN 50085-2-1

Standards EN 50085-2-1



Ölçü Size	Ref. Kodu Code	W (mm)	H (mm)	Ambalajlı Miktar Quantity/Pack (m)	Hacim Volume (m <sup>3</sup> )	Ağırlık Weight (kg)	Alan (mm <sup>2</sup> ) Loading Area
50 x 12	FT505001 2	50	12	25	0,018	6,181	263,2
70 x 20	FT507002 0	70	20	20	0,018	8,961	661,2
90 x 20	FT509002 0	90	20	12	0,018	8,113	882

Ölçü Size	Ref. Kodu Code	W (mm)	H (mm)	Ambalajlı Miktar Quantity/Pack (m)	Hacim Volume (m <sup>3</sup> )	Ağırlık Weight (kg)	Alan (mm <sup>2</sup> ) Loading Area
50 x 12	FT605001 2	50	12	25	0,018	6,381	263,2
70 x 20	FT607002 0	70	20	20	0,018	9,121	661,2
90 x 20	FT609002 0	90	20	12	0,018	8,281	882

İstenilen renklerde üretim yapılabilir.  
Other colors available.

İstenilen renklerde üretim yapılabilir.  
Other colors available.



Standart üretim 1m'dir. İstenilen boyda üretim yapılabilir.  
Standard length 1m. Other lengths available.

Kurşun içermeyen çevreye saygılı PVC ham maddeden üretilir.  
Lead-Free environment friendly PVC material.



Standart üretim 1m'dir. İstenilen boyda üretim yapılabilir.  
Standard length 1m. Other lengths available.

Kurşun içermeyen çevreye saygılı PVC ham maddeden üretilir.  
Lead-Free environment friendly PVC material.

PVC KABLO KANALLARI  
PVC CONDUIT SYSTEMS

Lamine Kaplama Renkler  
Lamination Coating Colors



109-Metalik / Metallic	100-Maun / Mahogany	127-Venge / Wenge	140-D-Alabama Kiraz / Alabama Cherry
140-Alabama Kiraz / Alabama Cherry	201-Huş / Birch	111*A-Napolyon Kiraz / Napolyon Cherry	111-Kiraz / Cherry
104-Armut / Pear	104-B-Yeni Armut / New Pear	620-Yaban Armut / Dark Pear	108-E-Amerikan Ceviz / American Walnut
108-D-Ceviz / Walnut	108-A-Açık Ceviz / Light Walnut	107-Kayın / Beech	107-B-Açık Kayın / Light Beech
126-Merbau / Merbau	115-Akçaağaç / Maple	113-Meşe / Oak	113-YM-Yenice Meşe / Light Oak
402-Eğirdir Meşe / Rose Oak	113-PR-Beyaz Meşe / White Oak	500-Ladin / Spruce	630-Yeni Ceviz / New Walnut
610-Antik Kahve / Antique Brown	600-Antik / Antique	800-Turuncu / Orange	805-Pembe / Pink
810-Kırmızı / Red	815-Bordo / Bordeaux	820-Koyu Mavi / Dark Blue	825-Açık Mavi / Light Blue
830-Lila / Lilac	835-Siyah / Black	840-Yeşil / Green	850-HG. Parlak Kırmızı / High Gloss Red
855-HG. Parlak Beyaz / High Gloss White	860-HG. Abanoz / High Gloss Macassar	865-HG. Parlak Siyah / High Gloss Black	870-HG. Parlak / High Gloss Wenge

PANO TİPİ KABLO KANALLARI  
SLOTTED CABLE TRUNKINGS

Pano Tipi Kablo Kanalı  
Slotted Type Trunking

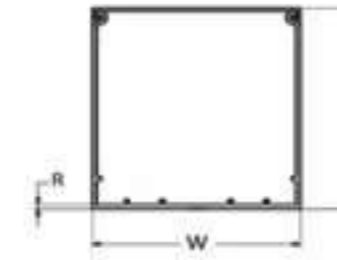


GENEL ÖZELLİKLER

Hammaddede	PVC UL94, V0 M1
Çalışma sıcaklığı	-25 / +65 C°
Renk	Gr RAL 7030
Boy	Standart 2 metre
Slot Aralığı	4 / 6 / 4 - 5 / 8 / 5 mm
Yangın Dayanımı	

EK ÖZELLİKLER

- Daibeye dayanıklı, alev yaymayan malzeme
- Asit ve yağlara karşı dayanıklı
- DIN 43659 standardına uygun taban delikleri
- Kolay açılabilir kapanan kapak ve tırnak yapısı
- Yüksek sıcaklık ve diğer yüzeylerde dahi mükemmel kapanma
- Çift kesme hattı
- Aletiz kolay kenar üst hat
- Kolay aksesuar uygulama için taban rayları
- Elektrik iletmez



Standards EN 50085-2-1



GENERAL SPECIFICATIONS

Raw material	PVC UL94, V0 M1
Operating temperature	-25 / +65 C°
Colour	Grey RAL 7030
Length	Standard 2 meters
Slot Range	4 / 6 / 4 - 5 / 8 / 5 mm
Fire Resistance	

ADDITIONAL SPECIFICATIONS

- Shock-proof, self-extinguishing material
- Resistant to acids, oils and greases
- Bottom perforation suitable to standard DIN 43659
- Easy open, close cover rib profile
- Perfect sealing on vertical sections and high temperatures
- Double trimming line
- Pre-scored upper line provides easy breaking without tool
- Easily accessible mounted bottom rails
- Non-conductive

Ölçü / Size	Ref. Kodu / Code	W (mm)	H (mm)	R (mm)	Ambalaj / Çi Miktar / Quantity / Pack (m)	Slot Aralığı / Slot Range (mm)	Hacim / Volume (m <sup>3</sup> )	Ağırlık / Weight (kg)	Kapasite / Capacity (mm <sup>2</sup> )
25 x 40	FTST1025040	25	40	1,4	108	4 / 6 / 4	0,104	30,3	720
25 x 60	FTST1025060	25	60	1,6	72	4 / 6 / 4	0,090	27,1	1159
25 x 80	FTST1025080	25	80	1,6	48	4 / 6 / 4	0,090	23,3	1600
40 x 40	FTST1040040	40	40	1,4	72	4 / 6 / 4	0,090	26,4	1245
40 x 60	FTST1040060	40	60	1,6	48	4 / 6 / 4	0,090	23,3	2007
40 x 80	FTST1040080	40	80	1,8	36	4 / 6 / 4	0,090	21,4	2717
40 x 100	FTST1040100	40	100	2	32	5 / 8 / 5	0,104	22,4	3354
60 x 40	FTST1060040	60	40	1,6	48	4 / 6 / 4	0,090	23,8	2007
60 x 60	FTST1060060	60	60	1,8	40	4 / 6 / 4	0,104	24,5	3115
60 x 80	FTST1060080	60	80	1,8	32	4 / 6 / 4	0,104	23,1	4216
60 x 100	FTST1060100	60	100	2	24	5 / 8 / 5	0,104	20,7	5216
80 x 60	FTST1080060	80	60	1,8	32	4 / 6 / 4	0,104	22,4	4200
80 x 80	FTST1080080	80	80	1,8	24	4 / 6 / 4	0,104	18,8	5716
80 x 100	FTST1080100	80	100	2	16	5 / 8 / 5	0,104	16,0	7078
100 x 60	FTST1100060	100	60	2	24	4 / 6 / 4	0,104	20,7	5307
100 x 80	FTST1100080	100	80	2	16	4 / 6 / 4	0,104	16,0	7215
100 x 100	FTST1100100	100	100	2	16	5 / 8 / 5	0,104	17,3	8960
120 x 60	FTST1120060	120	60	2	12	4 / 6 / 4	0,104	13,3	6403
120 x 80	FTST1120080	120	80	2	16	4 / 6 / 4	0,104	17,3	8729

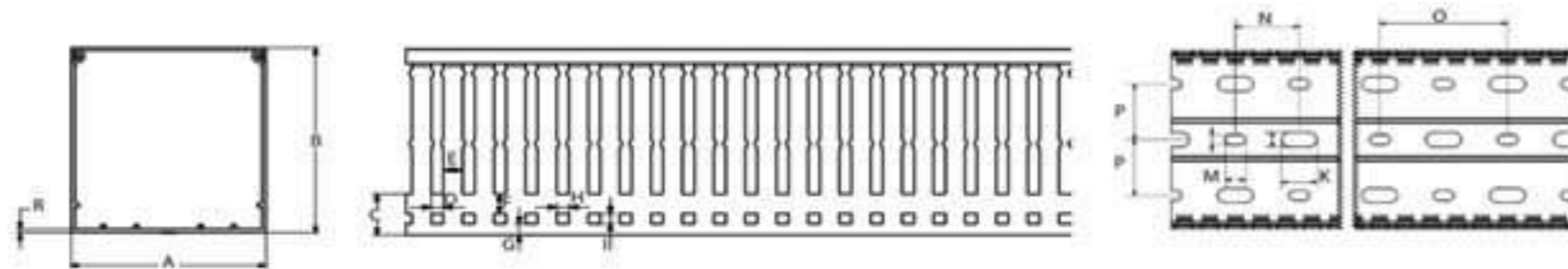


Standart üretim 2 m'dir.  
Standard length 2 m.

Kurşun içermeyen çevreye saygılı PVC hammaddeden üretilir.  
Lead-free environment friendly PVC material.

PANO TİPİ KABLO KANALLARI  
SLOTTED CABLE TRUNKINGS

Pano Tipi Kablo Kanalı  
Slotted Type Trunking



	A	B	C	D	E	F	G	H	I	J	K	L	M	N	O	P	R
25 x 40	25	40	15	4	6	6,5	5,5	4	3	6,5	14	4,5	8	25	50	0	1,4
25 x 60	25	60	17	4	6	7	6	4	4	6,5	14	4,5	8	25	50	0	1,6
25 x 80	25	80	19,5	4	6	9	6	4	4	6,5	14	4,5	8	25	50	0	1,6
40 x 40	40	40	15	4	6	6,5	5,5	4	3	6,5	14	4,5	8	25	50	0	1,4
40 x 60	40	60	17	4	6	7	6	4	4	6,5	14	4,5	8	25	50	0	1,6
40 x 80	40	80	19,5	4	6	9	6,5	4	4	6,5	14	4,5	8	25	50	0	1,8
40 x 100	40	100	22,5	5	8	10,5	6,5	5	5,5	6,5	14	4,5	8	33	65	0	2,0
60 x 40	60	40	15	4	6	6,5	5,5	4	3	6,5	14	4,5	8	25	50	0	1,6
60 x 60	60	60	17	4	6	7	6	4	4	6,5	14	4,5	8	25	50	0	1,8
60 x 80	60	80	19,5	4	6	9	6,8	4	4	6,5	14	4,5	8	25	50	0	1,8
60 x 100	60	100	22,5	5	8	10,5	6,5	5	5,5	6,5	14	4,5	8	33	65	0	2
80 x 60	80	60	17	4	6	7	6	4	4	6,5	14	4,5	8	25	50	25	1,8
80 x 80	80	80	19,8	4	6	9	6,8	4	4	6,5	14	4,5	8	25	50	25	1,8
80 x 100	80	100	22,5	5	8	10,5	6,5	5	5,5	6,5	14	4,5	8	33	65	25	2
100 x 60	100	60	17	4	6	7	6	4	4	6,5	14	4,5	8	25	50	25	2
100 x 80	100	80	19,8	4	6	9	6,8	4	4	6,5	14	4,5	8	25	50	25	2
100 x 100	100	100	22,5	5	8	10,5	6,5	5	5,5	6,5	14	4,5	8	33	65	25	2
120 x 60	120	60	17,5	4	6	7	6,5	4	4	6,5	14	4,5	8	25	50	25	2
120 x 80	120	80	19,5	4	6	9	6,5	4	4	6,5	14	4,5	8	25	50	25	2

PANO TİPİ KABLO KANALLARI  
SLOTTED CABLE TRUNKINGS

Pano Tipi Kablo Kanalı  
Slotted Type Trunking



**Second Break Line**  
Second break line at the base of the slots permits to remove the whole trunking wall.

**Special Cover Design**  
Really easy to install also thanks to the cover that does not fall off although the trunking is put vertically or turned upside down.



**First Break Line**  
You can bend the duct ribs up to 90 degrees angle and easily break them without any hand tools.

**Bottom Rails**  
You can easily mount the accessories on the bottom rails on the duct.





# ELEKTRİK BORULARI ELECTRICAL CONDUITS

## PVC ELEKTRİK BORULARI PVC CONDUIT SYSTEMS

### Düz Boru - Hafif Seri

Rigid Conduit - Light Type



#### GENEL ÖZELLİKLER

Ham madde	PVC UL94, V0 M1
Basınç dayanımı	320 Nt/5cm
Darbe dayanımı	2 Joule
Çalışma sıcaklığı	-25 +65 C°
Renk	Beyaz RAL 9010
Koruma Sınıfı	IP67*

\*Uygun ek parça kullanımı ile  
\*With proper accessories

#### EK ÖZELLİKLER

UV dayanımı	
Kolay kurulum, boyanabilir	
Ekonomik ve adapasyonu kolay	
Asit ve yağlara karşı dayanımı	
Elektrik iletmez	
Alev yamaz	
Aşınma dayanımı	

#### GENEL SPECIFICATIONS

Raw material	PVC UL94, V0 M1
Compression resistance	320 Nt/5cm
Impact resistance	2 Joule
Operating temperature	-25 to +65 C°
Colour	White RAL 9010
IP Ingress Protection	IP67*

#### ADDITIONAL SPECIFICATIONS

UV resistance	
Easy installation	
Economic and adaptable	
Resistant to acids, oils and greases	
Non-conductive	
Nonflammable	
Corrosion resistant	

Ölçü Size	Ref. Kodu Code	D (mm)	d (mm)	Ambalajlı Miktar Quantity/Pack (m)	Hacim Volume (m <sup>3</sup> )	Ağırlık Weight (kg)
Ø 16	RP101611 5	16	13,7	102	0,040	10,3
Ø 20	RP102001 2	20	17,6	102	0,051	13,9
Ø 25	RP102501 4	25	22,2	75	0,068	14,8
Ø 32	RP103216 5	32	28,7	51	0,087	15,2
Ø 40	RP104017 5	40	36,5	51	0,109	20,3
Ø 50	RP105001 8	50	46,4	30	0,151	15,5

Standards EN 61386-21



Standart üretim 3 m'dir. İstenilen boyda üretim yapılabilir.  
Standard length 3 m. Other lengths available.

Muflet üretim ya prıla bılır  
Socket ending a va lla ble

Kuşun çermeyen çevreye sa ygılı PVC ham maddeden üretilir.  
Lead-Free environment friendly PVC material.

PVC ELEKTRİK BORULARI  
PVC CONDUIT SYSTEMS

Düz Boru - Orta Seri

Rigid Conduit - Medium Type

GENEL ÖZELLİKLER

Ha mm a d d e	PVC UL 94, V0 M1
Basınç daya nımı	750 Nt/5cm
Darb e daya nımı	2 Joule
Ça lışma sıcak lığı	-25 +65 C <sup>0</sup>
Re nk	Beyaz RAL 9010
Korum a Sınıfı	IP67*

\*Uygun ek parça kullanımı ile  
\*With proper accessories

EK ÖZELLİKLER

UV daya nımı
Kolay kurulum , boy a nabilir
Ekonomik v e a daptasyo nu kolay
Asit v e yağlara karşı daya nımlı
Elektrik iletmez
Alev yaymaz
Aşınma daya nımı

GENERAL SPECIFICATIONS

Raw material	PVC UL 94, V0 M1
Compression resistance	750 Nt/5cm
Impact resistance	2 Joule
Operating temperature	-25 to +65 C <sup>0</sup>
Colour	White RAL 9010
IP Ingress Protection	IP67*

ADDITIONAL SPECIFICATIONS

UV resistance
Easy installation
Economical and adaptable
Resistant to acids, oils and greases
Non-conductive
Nonflammable
Corrosion resistant

Ölçü Size	Ref. Kodu Code	D (mm)	d (mm)	Ambalaj İçi Miktar Quantity/Pack (m)	Hacim Volume (m <sup>3</sup> )	Ağırlık Weight (kg)
Ø16	FTRP 101601 4	16	13,2	102	0,040	12,3
Ø20	FTRP 102014 5	20	17,1	102	0,051	16,4
Ø25	FTRP 102501 7	25	21,6	75	0,068	17,8
Ø32	FTRP 103200 2	32	28,7	51	0,087	18,2
Ø40	FTRP 104002 1	40	35,8	51	0,109	24,1
Ø50	FTRP 105021 5	50	45,7	30	0,151	18,3

Standards EN 61386-21



Standart üretim 3 m'dir. İstenilen boyda üretim yapılabilir.  
Standard length 3 m. Other lengths available.

Muflu üretim yapılabilir  
Socket ending available

Kurşun içermeyen çevreye saygılı PVC hammaddede üretilir.  
Lead-Free environment friendly PVC material

Standards EN 61386-21



Standart üretim 3 m'dir. İstenilen boyda üretim yapılabilir.  
Standard length 3 m. Other lengths available.

Muflu üretim yapılabilir  
Socket ending available

Kurşun içermeyen çevreye saygılı PVC hammaddede üretilir.  
Lead-Free environment friendly PVC material

PVC ELEKTRİK BORULARI  
PVC CONDUIT SYSTEMS

Düz Boru - Ağır Seri

Rigid Conduit - Heavy Type

GENEL ÖZELLİKLER

Ha mm a d d e	PVC UL94, V0 M1
Basınç daya nımı	1250 Nt/5cm
Darb e daya nımı	6 Joule
Ça lışma sıcak lığı	-25 +65 C <sup>0</sup>
Re nk	Beyaz RAL 9010
Korum a Sınıfı	IP67*

\*Uygun ek parça kullanımı ile  
\*With proper accessories

EK ÖZELLİKLER

UV daya nımı
Kolay kurulum, boy a nabilir
Ekonomik v e a daptasyonu kolay
Asit v e yağlara karşı daya nımlı
Elektrik iletmez
Alev yaymaz
Aşınma daya nımı

GENERAL SPECIFICATIONS

Raw material	PVC UL94, V0 M1
Compression resistance	1250 Nt/5cm
Impact resistance	6 Joule
Operating temperature	-25 to +65 C <sup>0</sup>
Colour	White RAL 9010
IP Ingress Protection	IP67*

ADDITIONAL SPECIFICATIONS

UV resistance
Easy installation
Economical and adaptable
Resistant to acids, oils and greases
Non-conductive
Nonflammable
Corrosion resistant

Ölçü Size	Ref. Kodu Code	D (mm)	d (mm)	Ambalaj İçi Miktar Quantity/Pack (m)	Hacim Volume (m <sup>3</sup> )	Ağırlık Weight (kg)
Ø16	FTRP101600 2	16	12,0	102	0,040	16,9
Ø20	FTRP102002 1	20	15,8	102	0,051	22,5
Ø25	FTRP102502 2	25	20,8	75	0,068	22,3
Ø32	FTRP103225 5	32	26,9	51	0,087	22,8
Ø40	FTRP104027 5	40	34,5	51	0,109	31,0
Ø50	FTRP105000 3	50	44,0	30	0,151	25,1
Ø75	FTRP107503 2	75	68,6	15	-	20,5
Ø100	FTRP101003 2	110	106	-	-	-

**Sprial Boru - Hafif Seri**

Flexible Conduit - Light Type



GENEL ÖZELLİKLER

Ham madde	PVC Bazlı Termoplastik
Basınç dayanımı	320 N / 60 Sec / 23±2 °C
Darbe dayanımı	1 Joule
Çalışma sıcaklığı	-25 +65 C°
Renk	Beyaz RAL 9010, Gri RAL 7035
Yalıtım Mukavemeti	2000V / 50 Hz / 15 min.
Yalıtım Direnci	>100 MΩ / 60 Sec / 500 V
Koruma Sınıfı	IP66*

\*Uygun ek parça kullanımı ile

EK ÖZELLİKLER

UV dayanımı	
Ekonomik ve adapasyonu kolay	
Asit ve yağlara karşı dayanımlı	
Elektrik iletmez	
Alev yamaz	

GENERAL SPECIFICATIONS

Raw material	Thermoplastic U-PVC
Compression resistance	320 N / 60 Sec / 23±2 °C
Impact resistance	1 Joule
Operating temperature	-25 to +65 C°
Colour	White RAL 9010, Grey RAL 7035
Insulation Strength	2000V / 50 Hz / 15 min.
Insulation Resistance	>100 MΩ / 60 Sec / 500 V
IP Ingress Protection	IP66*

ADDITIONAL SPECIFICATIONS

UV resistant	
Economic and adaptable	
Resistant to acids, oils and greases	
Non-conductive	
Nonflammable	

Ölçü Size	Ref. Kodu Code	D (mm)	d (mm)	Tolerans Tolerance	Ambalajlı Miktar Quantity/Pack (m)	Hacim Volume (m <sup>3</sup> )	Ağırlık Weight (kg)
Ø 16	FT SC 6016000	16	11,2	+ 0 / - 0,3	100	0,048	3,8
Ø 20	FT SC 6020000	20	14,6	+ 0 / - 0,3	100	0,073	4,6
Ø 25	FT SC 6025000	25	18,6	+ 0 / - 0,4	50	0,055	3,2
Ø 32	FT SC 6032000	32	24,8	+ 0 / - 0,4	50	0,075	4,9
Ø 40	FT SC 6040000	40	31,2	+ 0 / - 0,4	50	0,124	6,0
Ø 50	FT SC 6050000	50	39,6	+ 0 / - 0,4	25	0,097	3,8
Ø 63	FT SC 6063000	63	52,5	+ 0 / - 0,6	15	0,110	2,9



Standards EN 61386-22



PVC ELEKTRİK BORULARI  
PVC CONDUIT SYSTEMS

**Sprial Boru - Ağır Seri**

Flexible Conduit - Heavy Type



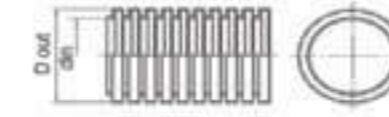
GENEL ÖZELLİKLER

Ham madde	PVC Bazlı Termoplastik
Basınç dayanımı	750 N / 60 Sec / 23±2 °C
Darbe dayanımı	2 Joule
Çalışma sıcaklığı	-25 +65 C°
Renk	Beyaz RAL 9010, Gri RAL 7035
Yalıtım Mukavemeti	2000V / 50 Hz / 15 min.
Yalıtım Direnci	>100 MΩ / 60 Sec / 500 V
Koruma Sınıfı	IP66*

\*Uygun ek parça kullanımı ile  
\*With proper accessories

EK ÖZELLİKLER

UV dayanımı	
Ekonomik ve adapasyonu kolay	
Asit ve yağlara karşı dayanımlı	
Elektrik iletmez	
Alev yamaz	



GENERAL SPECIFICATIONS

Raw material	Thermoplastic U-PVC
Compression resistance	750 N / 60 Sec / 23±2 °C
Impact resistance	2 Joule
Operating temperature	-25 to +65 C°
Colour	White RAL 9010, Grey RAL 7035
Insulation Strength	2000V / 50 Hz / 15 min.
Insulation Resistance	>100 MΩ / 60 Sec / 500 V
IP Ingress Protection	IP66*

ADDITIONAL SPECIFICATIONS

UV resistant	
Economic and adaptable	
Resistant to acids, oils and greases	
Non-conductive	
Nonflammable	

Ölçü Size	Ref. Kodu Code	D (mm)	d (mm)	Tolerans Tolerance	Ambalajlı Miktar Quantity/Pack (m)	Hacim Volume (m <sup>3</sup> )	Ağırlık Weight (kg)
Ø 16	FT SC 7016000	16	10,9	+ 0 / - 0,3	100	0,048	5
Ø 20	FT SC 7020000	20	14,3	+ 0 / - 0,3	100	0,073	7
Ø 25	FT SC 7025000	25	18,2	+ 0 / - 0,4	50	0,055	4,6
Ø 32	FT SC 7032000	32	24,4	+ 0 / - 0,4	50	0,075	6,4
Ø 40	FT SC 7040000	40	30,8	+ 0 / - 0,4	50	0,124	6,3
Ø 50	FT SC 7050000	50	39,1	+ 0 / - 0,4	25	0,097	5
Ø 63	FT SC 7063000	63	52,0	+ 0 / - 0,6	15	0,110	3,9

Standards EN 61386-22



Kurşun içermeyen çevreye saygılı PVC hammaddeden üretilir.  
Lead-Free environment friendly PVC material.

PVC ELEKTRİK BORULARI  
PVC CONDUIT SYSTEMS

PVC Boru Ek Parçaları

PVC Conduit Accessories

Ürün Tanımı - Description	Ölçü Size	Ref. Kodu Code	İç Çap (mm) Inner Ø	Dış Çap (mm) Outer Ø	Boy (mm) Length	Amb. İç Miktar Pieces in Box
PVC Düz Boru Mufu - PVC Rigit Pipe Coupling Alev yaymayan / Self extinguishing	Ø16	FTPC 100001 6	16,1	18,6	80	20
	Ø20	FTPC 100002 0	20,1	23	80	20
	Ø25	FTPC 100002 5	25,2	28	80	20
	Ø32	FTPC 100003 2	32,2	35	100	10
	Ø40	FTPC 100004 0	40,3	43	100	10
	Ø50	FTPC 100005 0	50,3	53	100	5
	Ø63	FTPC 100006 3	63,3	66	100	5
PP Düz Boru Mufu - PP Rigit Pipe Coupling Ha lojensiz / Ha lojen Free	Ø16	FTPC 200001 6	16,1	18,6	80	20
	Ø20	FTPC 200002 0	20,1	23	80	20
	Ø25	FTPC 200002 5	25,2	28	80	20
	Ø32	FTPC 200003 2	32,2	35	100	10
	Ø40	FTPC 200004 0	40,3	43	100	10
	Ø50	FTPC 200005 0	50,3	53	100	5
	Ø63	FTPC 200006 3	63,3	66	100	5
PVC Dizek - PVC Elbow Alev yaymayan / Self extinguishing	Ø16	FTPE100001 6	16,1	19	70	25
	Ø20	FTPE100002 0	20,2	23	90	25
	Ø25	FTPE100002 5	25,2	29	120	25
	Ø32	FTPE100003 2	32,3	36	150	10
PP Dizek - PP Elbow Ha lojensiz / Ha lojen Free	Ø16	FTPE200001 6	16,1	19	70	25
	Ø20	FTPE200002 0	20,2	23	90	25
	Ø25	FTPE200002 5	25,2	29	120	25
	Ø32	FTPE200003 2	32,3	36	150	10
PVC 90° Dizek - PVC 90° Elbow Alev yaymayan / Self extinguishing	Ø16	FTPE300001 6	16,1	20,5	38,5	25
	Ø20	FTPE300002 0	20,1	25,2	47	25
	Ø25	FTPE300002 5	25,1	30,3	57,5	25
	Ø32	FTPE300003 2	32,1	37,7	66,5	15
PP Açılı Dizek - PP 90° Elbow Ha lojensiz / Ha lojen Free	Ø16	FTPE400001 6	16,1	20,5	38,5	25
	Ø20	FTPE400002 0	20,1	25,2	47	25
	Ø25	FTPE400002 5	25,1	30,3	57,5	25
	Ø32	FTPE400003 2	32,1	37,7	66,5	15

PVC ELEKTRİK BORULARI  
PVC CONDUIT SYSTEMS

PVC Boru Ek Parçaları






PVC Conduit Accessories

Ürün Tanımı - Description	Ölçü Size	Ref. Kodu Code	İç Çap (mm) Inner Ø	Dış Çap (mm) Outer Ø	Boy (mm) Length	Amb. İç Miktar Pieces in Box
PVC T Bağlantı - PVC T Connector Alev yaymayan / Self extinguishing	Ø16	FTPT100001 6	16,1	20,5	64,5	25
	Ø20	FTPT100002 0	20,1	25,5	70	25
	Ø25	FTPT100002 5	25,1	30,5	75	25
	Ø32	FTPT100003 2	32,2	38,3	82,7	15
PP T Bağlantı - PP T Connector Ha lojensiz / Ha lojen Free	Ø16	FTPT200001 6	16,1	20,5	64,5	25
	Ø20	FTPT200002 0	20,1	25,5	70	25
	Ø25	FTPT200002 5	25,1	30,5	75	25
	Ø32	FTPT200003 2	32,2	38,3	82,7	15
PVC Esnek Muf - PVC Flexible Coupling Alev yaymayan / Self extinguishing	Ø16	FTFC 100001 6	16,1	17	27,5	20
	Ø20	FTFC 100002 0	20,1	21,3	27,5	20
	Ø25	FTFC 100002 5	25,1	26,7	39	10
	Ø32	FTFC 100003 2	32,2	33,4	39	10
PP Kroşe - PP U Clip Ha lojensiz / Ha lojen Free	Ø16	FTPH200001 6	15,1	25,3	21,7	50
	Ø20	FTPH200002 0	19,2	30	28,2	50
	Ø25	FTPH200002 5	25	33,8	32,7	50
	Ø32	FTPH200003 2	31,2	40,2	41	25
	Ø40	FTPH200004 0	39,2	48,2	52,2	25
	Ø50	FTPH200005 0	49	59,2	64,2	25
PP Kroşe - PP U Clip Ha lojensiz / Ha lojen Free	Ø16	FTCL200001 6	15,6	18,2	25	100
	Ø20	FTCL200002 0	19,2	22,2	30	100
	Ø25	FTCL200002 5	24,6	28,6	30	100
	Ø32	FTCL200003 2	30	35,4	40	100
PP Düz Boru Ra koru - PP Rigit Pipe Connector Ha lojensiz / Ha lojen Free	Ø16	FTCC 200001 6	16,3	19	55	50
	Ø20	FTCC 200002 0	20,3	22,5	55	50
	Ø25	FTCC 200002 5	25,3	29	55	50
	Ø32	FTCC 200003 2	32,3	35	65	25
PP Spiral Boru Mufu - PP Flexible Conduit Coupling Ha lojensiz / Ha lojen Free	Ø16	FTPC 400001 6	16,4	19,4	50	100
	Ø20	FTPC 400002 0	20,5	23,5	55	100
	Ø25	FTPC 400002 5	25,5	29,5	55	100
	Ø32	FTPC 400003 2	32,5	36,5	60	100

PVC ELEKTRİK BORULARI  
PVC CONDUIT SYSTEMS

PVC Boru Ek Parçaları

PVC Conduit Accessories

Ürün Tanımı - Description	Ölçü	Ref. Kodu	İç Çap (mm)	Dış Çap (mm)	Boy (mm)	Amb. İçi Miktar	
	Size	Code	Inner Ø	Outer Ø	Length	Pieces in Box	
 PP Spiral Boru Rakoru - PP Spiral Conduit Connector Halojeniz / Halojen Free	Ø 16	FTCC400001	6	16,3	19	55	100
	Ø 20	FTCC400002	0	20,3	22,5	55	100
	Ø 25	FTCC400002	5	25,3	29	55	100
 PP Kapaklı Spiral Boru Rakoru - PP Spiral Conduit Gland Halojeniz / Halojen Free	Ø 16	FTCC5 000016		16,3	19	55	100
	Ø 20	FTCC5 000020		20,3	22,5	55	100
	Ø 25	FTCC5 000032		25,3	29	55	100
 Çift Cidarlı Boru Manşonu - Double Wall Coupling	Ø 90	FTWC 1000090					100
	Ø 110	FTWC 1000110					50
 Çift Cidarlı Boru Desteği - Double Wall Pipe Support	Ø 90	FT WS1000090					100
	Ø 110	FT WS1000110					100
 Çift Cidarlı Boru Tapağı - Double Wall End Cup	Ø 90	FT WE1000090					250
	Ø 110	FT WE1000110					125

PE ELEKTRİK BORULARI  
PE CONDUIT SYSTEMS

PE Kangal Boru Alev Yayımayan Hafif Seri

PE Flexible Conduit Flame Retardant Light Type (HFFR)



GENEL ÖZELLİKLER

Malzeme	LDPE + Alev geciktirici katkı
Basınç dayanımı	320 N / 60 Sec / 23±2 °C
Darbe dayanımı	2 Kg / 100 mm / -25°C
Çalışma sıcaklığı	-25 / +60 C°
Renk	Turuncu RAL 2013
Gr RAL 7035, Siyah RAL 9905, Beyaz RAL 9003, Mavi RAL 5017	
Koruma Sınıfı	IP66

GENERAL SPECIFICATIONS

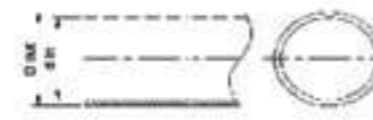
Raw material	LDPE + Flame Retardant Additive
Compression resistance	320 N / 60 Sec / 23±2 °C
Impact resistance	2 Kg / 100 mm / -25°C
Operating temperature	-25 / +60 C°
Colour	Orange RAL 2013
Grey RAL 7035, Black RAL 9905, White RAL 9003, Blue RAL 5017	
IP Ingress Protection	IP66

EK ÖZELLİKLER

Alev yaymaz  
UV dayanımı  
Ekonomik ve adapasyonu kolay  
Asit ve yağlara karşı dayanımlı  
Elektrik iletmez

ADDITIONAL SPECIFICATIONS

Nonflammable  
UV resistant  
Economic and adaptable  
Resistant to acids, oils and greases  
Non-conductive



Ölçü	Ref. Kodu	Kıyuz Tell	D (mm)	d (mm)	Tolerans	Ambalaj Miktarı	Hacim	Ağırlık	
Size	Code	With Wire	Ø (mm)	Ø (mm)	Tolerance	Quantity/Pack (m)	Volume (m <sup>3</sup> )	Weight (kg)	
Ø 16	FTKB011101	6	KB012101	6	16	13,2	+ 0 / - 0,3	200	11,0
Ø 20	FTKB011102	0	KB012102	0	20	17,1	+ 0 / - 0,3	200	15,5
Ø 25	FTKB011102	5	KB012102	5	25	21,4	+ 0 / - 0,4	100	11,2
Ø 32	FTKB011103	2	KB012103	2	32	27,8	+ 0 / - 0,4	100	16,6
Ø 40	FTKB011104	0	KB012104	0	40	35,0	+ 0 / - 0,4	100	20,5
Ø 50	FTKB011105	0	KB012105	0	50	44,4	+ 0 / - 0,4	100	25,9
Ø 63	FTKB011106	3	KB012106	3	63	57,0	+ 0 / - 0,6	100	54,8
Ø 75	FTKB011107	5	KB012107	5	75	68,2	+ 0 / - 0,6	100	76,5
Ø 90	FTKB011109	0	KB012109	0	90	82,4	+ 0 / - 0,8	50	53,0

PE ELEKTRİK BORULARI  
PE CONDUIT SYSTEMS

PE Kangal Boru Halojensiz Ağır Seri

PE Flexible Conduit Halogen Free Heavy Type



GENEL ÖZELLİKLER

Ham madde	LDPE
Basınç dayanımı	750 N / 60 Sec / 23±2 °C
Darbe dayanımı	2 Kg / 100 mm / -25°C
Çalışma sıcaklığı	-25 / +60 C°
Renk	Turuncu RAL 2013
Gril RAL 7035, Siyah RAL 9905, Beyaz RAL 9003, Ma vi RAL 5017	
Koruma Sınıfı	IP66

GENERAL SPECIFICATIONS

Raw material	LDPE
Compression resistance	320 N / 60 Sec / 23±2 °C
Impact resistance	2 Kg / 100 mm / -25°C
Operating temperature	-25 / +60 C°
Colour	Orange RAL 2013
Grey RAL 7035, Black RAL 9905, White RAL 9003, Blue RAL 5017	
IP Ingress Protection	IP66

EK ÖZELLİKLER

UV dayanımı	
Ekonomik ve adapasyonu kolay	
Asit ve yağlara karşı dayanımlı	
Elektrik iletmez	

ADDITIONAL SPECIFICATIONS

UV resistant	
Economic and adaptable	
Resistant to acids, oils and greases	
Non-conductive	



Ölçü Size	Ref. Kodu Code	Kılavuz Tell With Wire	D (mm)	d (mm)	Tolerans Tolerance	Anbarlık Miktarı Quantity/Package	Hacim Volume (m <sup>3</sup> )	Ağırlık Weight (kg)
Ø 16	FTKB021201 6	KB022201 6	16	12,4	+ 0 / - 0,3	200		16,9
Ø 20	FTKB021202 0	KB022202 0	20	16,0	+ 0 / - 0,3	200		22,6
Ø 25	FTKB021202 5	KB022202 5	25	20,1	+ 0 / - 0,4	100		15,1
Ø 32	FTKB021203 2	KB022203 2	32	25,4	+ 0 / - 0,4	100		22,9
Ø 40	FTKB021204 0	KB022204 0	40	32,6	+ 0 / - 0,4	100		34,0
Ø 50	FTKB021205 0	KB022205 0	50	42,0	+ 0 / - 0,5	100		43,3
Ø 63	FTKB021206 3	KB022206 3	63	54,4	+ 0 / - 0,5	100		78,6
Ø 75	FTKB021207 5	KB022207 5	75	65,6	+ 0 / - 0,5	100		105,8
Ø 90	FTKB021209 0	KB022209 0	90	79,6	+ 0 / - 0,5	50		72,5



Standards EN 61386-22



ÇELİK SİRAL BORULAR  
FLEXIBLE STEEL CONDUITS

Çelik Spiraller

Flexible Steel Conduit



GENEL ÖZELLİKLER

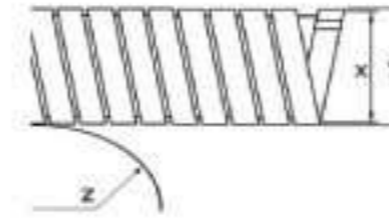
Ham madde	Galvaniz kaplı çelik
Basınç dayanımı	320 N / 60 Sec
Çalışma sıcaklığı	-20 +250 C°
Koruma Sınıfı	IP40

EK ÖZELLİKLER

Plastik sistemlere göre daha yüksek sıkıştırma, mekanik ve gerilme dayanımı	
Yüksek esneklik ve bükülme	
Yüksek korozyon dayanımı	

GENEL UYGULAMALAR

Mekanik dayanımın, bükülmenin gerekli olduğu alanlar	
Aydınlatma	
Döşeme altı kablolmalar	
Yüksek sıcaklık alanları	
Şantiyeler	
Endüstriyel makineler ve otomasyon	
Asansör ve kaldırma sistemleri	



GENERAL SPECIFICATIONS

Raw material	Galvanised Steel
Compression resistance	320 N / 60 Sec
Operating temperature	-20 +250 C°
IP Ingress Protection	IP40

ADDITIONAL SPECIFICATIONS

Higher compression, mechanical and tensile strength than plastic systems	
Highly flexible, tight bend radius	
High resistance to corrosion	

TYPICAL APPLICATIONS

Applications where high mechanical strength, bend radius are required	
Lighting	
Under-floor wiring	
High temperature areas	
Construction fields	
Industrial machinery and automation	
Elevators, Hoistways	

Ölçü Metric Size	Inch Size	Ref. Kodu Code	Kılavuz Tell With Wire	X (mm) min. max.	Y (mm) min. max.	Z (mm)	Anbarlık Miktarı Quantity/Package	Hacim Volume (m <sup>3</sup> )	Ağırlık Weight (kg)
Ø 9		FT SC 1009000	SC 2009000	9,0 9,2	12,0 12,2	25,0	50	0,011	2,6
Ø 10	1/4"	FT SC 1010000	SC 2010000	9,7 10,2	12,8 13,0	25,0	50	0,018	3,1
Ø 11		FT SC 1011000	SC 2011000	10,9 11,2	13,9 14,2	35,0	50	0,025	3,9
Ø 12	3/8"	FT SC 1012000	SC 2012000	12,3 12,8	15,3 15,8	35,0	50	0,030	4,6
Ø 14		FT SC 1014000	SC 2014000	13,9 14,2	17,2 17,5	40,0	50	0,036	5,6
Ø 16	1/2"	FT SC 1016000	SC 2016000	15,5 16,0	18,7 19,3	40,0	50	0,044	6,3
Ø 18		FT SC 1018000	SC 2018000	17,6 18,0	20,8 21,2	45,0	50	0,034	4,3
Ø 21	3/4"	FT SC 1021000	SC 2021000	20,5 21,0	23,7 24,2	45,0	50	0,037	5,7
Ø 26	1"	FT SC 1026000	SC 2026000	25,5 26,4	29,2 29,8	55,0	50	0,046	6,2
Ø 29		FT SC 1029000	SC 2029000	28,6 29,0	32,0 32,4	55,0	25	0,051	6,5
Ø 32		FT SC 1032000	SC 2032000	32,0 32,5	35,5 36,0	60,0	25	0,055	6,2
Ø 35	1 1/4"	FT SC 1035000	SC 2035000	34,5 35,0	37,7 38,3	60,0	25	0,065	8,2
Ø 37		FT SC 1037000	SC 2037000	38,0 38,5	41,0 42,0	80,0	25	0,073	8,8
Ø 40	1 1/2"	FT SC 1040000	SC 2040000	39,5 40,1	43,0 43,5	90,0	25	0,079	9,0
Ø 51	2"	FT SC 1051000	SC 2051000	51,3 51,9	54,8 55,4	110,0	25	0,094	9,5
Ø 63	2 1/2"	FT SC 1063000	SC 2063000	62,9 63,6	66,5 67,2	130,0	15	0,102	11,6
Ø 78	3"	FT SC 1078000	SC 2078000	77,9 78,7	81,6 82,4	155,0	15	0,115	14,4
Ø 102	4"	FT SC 1102000	SC 2102000	101,6 102,6	105,5 106,5	200,0	15	0,127	18,7

ÇELİK SİRAL BORULAR  
FLEXIBLE STEEL CONDUITS

ÇELİK SİRAL BORULAR  
FLEXIBLE STEEL CONDUITS

PVC Kaplı Çelik Spiraller

PVC Coated Flexible Steel Conduit

Ağır Hizmet PVC Kaplı Çelik Spiraller

Liquid Tight PVC Coated Flexible Steel Conduit



GENEL ÖZELLİKLER:

Ham madde	Galvaniz kaplı çelik
Kaplama Ham madde	PVC
Basınç dayanımı	320 N / 60 Sec
Çalışma sıcaklığı	-20 +70 C <sup>0</sup>
Koruma Sınıfı	IP65*

\*Uygun ek parça kullanımı ile

EK ÖZELLİKLER

Plastik sistemlere göre daha yüksek sıkıştırma, mekanik ve gerilme dayanımı
Yüksek esneklik ve bükülme
Yüksek UV koruma ve korozyon dayanımı
Alev alma z PVC kaplama
Sıvı ve kimyasal dayanımı

GENEL UYGULAMALAR

Mekanik dayanımın, bükülmenin gerekli olduğu alanlar
Aydınlatma
Döşeme altı kablolamalar
Yüksek sıcaklık alanları
Şantiyeler
Endüstriyel makineler ve otomasyon
Asansör ve kaldırma sistemleri
Nemli ortamlar

GENERAL SPECIFICATIONS

Raw material	Galvanised Steel
Coat Raw Material	PVC
Compression resistance	320 N / 60 Sec
Operating temperature	-20 +70 C <sup>0</sup>
IP Ingress Protection	IP65*

\*With proper accessories

ADDITIONAL SPECIFICATIONS

Higher compression, mechanical and tensile strength than plastic systems
Highly flexible, tight bend radius
High UV protection and resistance to corrosion
Self extinguishing PVC coating
Liquid resistant, chemical resistance

TYPICAL APPLICATIONS

Applications high mechanical strength, bend radius are required
Lighting
Under-floor wiring
High temperature areas
Construction fields
Industrial machinery and automation
Elevators, Hoistways
Humidity areas

Ölçü Metric Size	Inch Size	Ref. Kodu Code	Kılavuz Tell With Wire	X (mm)		Y (mm)		Z (mm)	Ambalaj İçerik Quantity/Pack (m)	Hacim Volume (m <sup>3</sup> )	Ağırlık Weight (kg)
				min.	max.	min.	max.				
Ø9		FTSC 3009000	SC 4009000	9,0	9,2	13,1	13,2	30	50	0,015	3,8
Ø10	1/4"	FTSC 3010000	SC 4010000	9,7	10,2	13,8	14,2	30	50	0,016	4,6
Ø11		FTSC 3011000	SC 4011000	10,9	11,2	14,8	15,2	40	50	0,024	4,7
Ø12	3/8"	FTSC 3012000	SC 4012000	12,3	12,8	16,7	17,2	40	50	0,031	7,0
Ø14		FTSC 3014000	SC 4014000	13,9	14,2	17,9	18,4	45	50	0,033	7,4
Ø16	1/2"	FTSC 3016000	SC 4016000	15,5	16,0	20,2	20,7	45	50	0,045	8,5
Ø18		FTSC 3018000	SC 4018000	17,6	18,0	21,5	22,0	50	50	0,036	6,4
Ø21	3/4"	FTSC 3021000	SC 4021000	20,5	21,0	25,5	26,1	50	50	0,045	7,1
Ø26	1"	FTSC 3026000	SC 4026000	25,5	26,4	31,6	32,2	60	50	0,048	8,1
Ø29		FTSC 3029000	SC 4029000	28,5	29,0	32,5	33,0	60	25	0,060	8,6
Ø32		FTSC 3032000	SC 4032000	31,8	32,5	37,0	37,5	65	25	0,064	8,8
Ø35	1 1/4"	FTSC 3035000	SC 4035000	34,5	35,0	40,8	41,5	65	25	0,080	11,6
Ø37		FTSC 3037000	SC 4037000	38,0	38,5	43,0	43,5	90	25	0,091	11,2
Ø40	1 1/2"	FTSC 3040000	SC 4040000	39,5	40,1	46,5	47,2	100	25	0,113	11,7
Ø51	2"	FTSC 3051000	SC 4051000	51,3	51,9	58,1	58,7	120	25	0,143	12,4
Ø63	2 1/2"	FTSC 3063000	SC 4063000	62,9	63,6	71,8	72,4	140	15	0,156	15,2
Ø78	3"	FTSC 3078000	SC 4078000	77,9	78,7	87,2	87,9	165	15	0,175	18,9
Ø102	4"	FTSC 3102000	SC 4102000	101,6	102,6	111,2	112,3	210	15	0,192	24,6

Standards EN 61386-1



GENEL ÖZELLİKLER

Ham madde	Galvaniz kaplı çelik
Kaplama Ham madde	PVC
Basınç dayanımı	1250 N / 60 Sec
Çalışma sıcaklığı	-20 / +100 C <sup>0</sup>
Koruma Sınıfı	IP68*

\*Uygun ek parça kullanımı ile

EK ÖZELLİKLER

Plastik sistemlere göre daha yüksek sıkıştırma, mekanik ve gerilme dayanımı
Aynı sıcak ya da soğuk ortamlarda dayanım sağlar
Yüksek esneklik ve bükülme
Yüksek UV koruma ve korozyon dayanımı
Alev alma z PVC kaplama
Sıvı ve kimyasal dayanımı

GENEL UYGULAMALAR

Mekanik dayanımın, bükülmenin gerekli olduğu alanlar
Aydınlatma
Döşeme altı kablolamalar
Yüksek sıcaklıktaki alanlar
Şantiyeler, iş makinaleri, madencilik ekipmanları
Endüstriyel makineler ve otomasyon
Asansör ve kaldırma sistemleri
Nemli ortamlar, deniz taşımacılığı
Düşük sıcaklıktaki dış hava uygulamaları

Ölçü Metric Size	Inch Size	Ref. Kodu Code	X (mm)		Y (mm)		Z (mm)	Ambalaj İçerik Quantity/Pack (m)	Hacim Volume (m <sup>3</sup> )
			min.	max.	min.	max.			
Ø13	3/8"	FTSC 5018000	12,8	13,0	18,8	6,0	55	30	0,033
Ø16	1/2"	FTSC 5021000	15,5	16,0	21,5	6,0	80	30	0,045
Ø21	3/4"	FTSC 5029000	20,5	21,0	26,5	6,0	100	30	0,045
Ø26	1"	FTSC 5032000	25,5	26,4	33,5	8,0	165	30	0,048
Ø35	1 1/4"	FTSC 5030000	34,5	35,0	42,5	8,1	200	15	0,060
Ø40	1 1/2"	FTSC 5045000	39,5	40,1	48,5	9,1	230	15	0,113
Ø51	2"	FTSC 5050000	51,3	51,9	60,3	9,1	280	15	0,143
Ø63	2 1/2"	FTSC 5063000	62,9	63,6	72,9	10,2	375	8	0,156
Ø78	3"	FTSC 5078000	77,9	78,7	89,9	12,2	450	8	0,175
Ø102	4"	FTSC 5102000	101,6	102,6	113,6	12,2	650	8	0,192

Standards EN 61386-1



ÇELİK SİRAL BORULAR  
FLEXIBLE STEEL CONDUITS

ÇELİK SİRAL BORULAR  
FLEXIBLE STEEL CONDUITS

Çelik Spiral Boru Ek Parçaları

Flexible Steel Conduit Accessories

Sabit Diş Spiral Boru Rakoru - Pano Tipi / Fixed Internal Adaptor Male Thread

Ham madde	Nikel kaplı Pirinç
IP Derecesi	IP 44 (IP54 with O-ring)
TIP	Sabit Diş
Sürekli Isiya direnci	-40°C to +250°C

BAĞLANTI DIŞI "M" - EN 60423  
BAĞLANTI DIŞI "PG" - DIN 40430

Material	Nickel Plated Brass
IP Rate	IP 44 (IP54 with O-ring)
TYPE	Fixed Body
Temperature Resistance	-40°C to +250°C

CONNECTION THREAD "M" - EN 60423  
CONNECTION THREAD "PG" - DIN 40430



For insertion into knock outs using a lock nut (order lock nut separately)

Döner Diş Spiral Boru Rakoru - Pano Tipi / Swivel Internal Adaptor Male Thread

Ham madde	Nikel kaplı Pirinç
IP Derecesi	IP 44 (IP54 with O-ring)
TIP	Döner Diş
Sürekli Isiya direnci	-40°C to +250°C

BAĞLANTI DIŞI "M" - EN 60423  
BAĞLANTI DIŞI "PG" - DIN 40430

Material	Nickel Plated Brass
IP Rate	IP 44 (IP54 with O-ring)
TYPE	Swivel Body
Temperature Resistance	-40°C to +250°C

CONNECTION THREAD "M" - EN 60423  
CONNECTION THREAD "PG" - DIN 40430



For insertion into knockouts using a lock nut (order lock nut separately)

Metrik Kodu	PG Kodu	Nominal Conduit Size		Metrik Thread	PG Thread
Metric Code	PG Code	Metric Size	Inch Size		
FTRSM 9	FTRSP 9	Ø9		M12x1.5	PG 9
FTRSM 10	FTRSP 10	Ø10	1/4"	M12x1.5	PG 9
FTRSM 11	FTRSP 11	Ø11		M16x1.5	PG 11
FTRSM 12	FTRSP 12	Ø12	3/8"	M16x1.5	PG 13,5
FTRSM 14	FTRSP 14	Ø14		M20x1.5	PG 13,5
FTRSM 16	FTRSP 16	Ø16	1/2"	M20x1.5	PG 16
FTRSM 18	FTRSP 18	Ø18		M25x1.5	PG 21
FTRSM 21	FTRSP 21	Ø21	3/4"	M25x1.5	PG 21
FTRSM 26	FTRSP 26	Ø26	1"	M32x1.5	PG 29
FTRSM 29	FTRSP 29	Ø29		M32x1.5	PG 29
FTRSM 32	FTRSP 32	Ø32		M40x1.5	PG 36
FTRSM 35	FTRSP 35	Ø35	1 1/4"	M40x1.5	PG 36
FTRSM 37	FTRSP 37	Ø37		M50x1.5	PG 36
FTRSM 40	FTRSP 40	Ø40	1 1/2"	M50x1.5	PG 42
FTRSM 51	FTRSP 51	Ø52	2"	M63x1.5	PG 48
FTRSM 63		Ø63	2 1/2"	M75x1.5	
FTRSM 78		Ø78	3"	M80x1.5	
FTRSM 102		Ø102	4"	M90x1.5	

Metrik Kodu	PG Kodu	Nominal Conduit Size		Metrik Thread	PG Thread
Metric Code	PG Code	Metric Size	Inch Size		
FTRDM 9	FTRDP 9	Ø9		M12x1.5	PG 9
FTRDM 10	FTRDP 10	Ø10	1/4"	M12x1.5	PG 9
FTRDM 11	FTRDP 11	Ø11		M16x1.5	PG 11
FTRDM 12	FTRDP 12	Ø12	3/8"	M16x1.5	PG 13,5
FTRDM 14	FTRDP 14	Ø14		M20x1.5	PG 13,5
FTRDM 16	FTRDP 16	Ø16	1/2"	M20x1.5	PG 16
FTRDM 18	FTRDP 18	Ø18		M25x1.5	PG 21
FTRDM 21	FTRDP 21	Ø21	3/4"	M25x1.5	PG 21
FTRDM 26	FTRDP 26	Ø26	1"	M32x1.5	PG 29
FTRDM 29	FTRDP 29	Ø29		M32x1.5	PG 29
FTRDM 32	FTRDP 32	Ø32		M40x1.5	PG 36
FTRDM 35	FTRDP 35	Ø35	1 1/4"	M40x1.5	PG 36
FTRDM 37	FTRDP 37	Ø37		M50x1.5	PG 36
FTRDM 40	FTRDP 40	Ø40	1 1/2"	M50x1.5	PG 42
FTRDM 51	FTRDP 51	Ø52	2"	M63x1.5	PG 48
FTRDM 63		Ø63	2 1/2"	M75x1.5	
FTRDM 78		Ø78	3"	M80x1.5	
FTRDM 102		Ø102	4"	M90x1.5	

Çelik Spiral Boru Ek Parçaları

Flexible Steel Conduit Accessories

P-Klips Kase / P-Clip Conduit Support



Sabit Diş Spiral Boru Rakoru - Pano Tipi / Fixed Internal Adaptor Male Thread

Ham madde	Nikel kaplı Pirinç
IP Derecesi	IP 65 (IP68 O-ring ile)
TIP	Sabit Diş
Sürekli Isiya direnci	-40°C to +250°C

BAĞLANTI DIŞI "M" - EN 60423  
BAĞLANTI DIŞI "PG" - DIN 40430

Material	Nickel Plated Brass
IP Rate	IP 65 (IP68 with O-ring)
TYPE	Fixed Body
Temperature Resistance	-40°C to +250°C

CONNECTION THREAD "M" - EN 60423  
CONNECTION THREAD "PG" - DIN 40430

Metrik Kodu	Nominal Conduit Size	Mounting Hole	Sıkma aralığı D (mm)	
Metric Code	Metric Size	Inch Size	E (mm)	
			Clamping range	
FTPKL 10	10	1/4"	M6	12-16
FTPKL 13	13	3/8"	M6	16-20
FTPKL 16	16	1/2"	M6	20-25
FTPKL 21	21	3/4"	M6	25-30
FTPKL 26	26	1"	M6	31-38
FTPKL 35	35	1 1/4"	M6	38-45
FTPKL 40	40	1 1/2"	M6	45-52
FTPKL 51	51	2"	M6	59-66
FTPKL 63	63	2 1/2"	M6	75-84
FTPKL 78	78	3"	M6	84-93
FTPKL 102	102	4"	M6	110-119

Metrik Kodu	PG Kodu	Nominal Conduit Size		Metrik Thread	PG Thread
Metric Code	PG Code	Metric Size	Inch Size		
FTLRSM 10	FTLRSP 10	10	1/4"	M12x1.5	
FTLRSM 13	FTLRSP 13	13	3/8"	M16x1.5	PG 9
FTLRSM 16	FTLRSP 16	16	1/2"	M20x1.5	PG 13,5
FTLRSM 21	FTLRSP 21	21	3/4"	M25x1.5	PG 16
FTLRSM 26	FTLRSP 26	26	1"	M32x1.5	PG 21
FTLRSM 35	FTLRSP 35	35	1 1/4"	M40x1.5	PG 29
FTLRSM 40	FTLRSP 40	40	1 1/2"	M50x1.5	PG 36
FTLRSM 51	FTLRSP 51	51	2"	M63x1.5	PG 42
FTLRSM 63		63	2 1/2"	M75x1.5	PG 48
FTLRSM 78		78	3"	M80x1.5	
FTLRSM 102		102	4"	M90x1.5	



For insertion into knockouts using a locknut (order locknut separately)

ÇELİK SİRİRAL BORULAR  
FLEXIBLE STEEL CONDUITS

Çelik Spiral Boru Ek Parçaları

Flexible Steel Conduit Accessories

Döner Diş Ağır Hizmet Spiral Boru Rakoru - Pano Tipi /  
Swivel External Adap for Male Thread

Ha mm a d d e	Nikel kaplı Pirinç
IP Derecesi	IP 65 (IP68 with O-ring)
TİP	Döner Diş
Sürekli Isıya direnci	-40°C to +250°C
BAĞLANTI DIŞI "M" - EN 60423	
BAĞLANTI DIŞI "PG" - DIN 40430	
Ma teri al	Nic kel Plated Brass
IP Ra te	IP 65 (IP54 with O-ring)
TYPE	Swivel Body
Tempera ture Resistance	-40°C to +250°C

CONNECTION THREAD "M" - EN 60423  
CONNECTION THREAD "PG" - DIN 40430

For insertion into knockouts using a locknut (order locknut separately)

Metric Code	PG Code	Nominal Conduit Size	Metric Thread	PG Thread
Metric Code	PG Code	Metric Size	Inch Size	
FTLRDM 10	FTLRDP 10	10	1/4"	M12x1.5 PG 9
FTLRDM 12	FTLRDP 12	12	3/8"	M16x1.5 PG 13,5
FTLRDM 16	FTLRDP 16	16	1/2"	M20x1.5 PG 16
FTLRDM 21	FTLRDP 21	21	3/4"	M25x1.5 PG 21
FTLRDM 26	FTLRDP 26	26	1"	M32x1.5 PG 29
FTLRDM 35	FTLRDP 35	35	1 1/4"	M40x1.5 PG 36
FTLRDM 40	FTLRDP 40	40	1 1/2"	M50x1.5 PG 42
FTLRDM 51	FTLRDP 51	51	2"	M63x1.5 PG 48
FTLRDM 63		63	2 1/2"	M75x1.5
FTLRDM 78		78	3"	M80x1.5
FTLRDM 102		102	4"	M90x1.5



Sabit Diş Ağır Hizmet Spiral Boru Rakoru - Boru Tipi /  
Fixed External Adap for Female Thread

Ha mm a d d e	Nikel kaplı Pirinç
IP Derecesi	IP 65 (IP68 with O-ring)
TİP	Sabit Diş
Sürekli Isıya direnci	-40°C to +250°C
BAĞLANTI DIŞI "M" - EN 60423	
BAĞLANTI DIŞI "PG" - DIN 40430	
Ma teri al	Nic kel Plated Brass
IP Ra te	IP 65 (IP54 with O-ring)
TYPE	Fixed Body
Tempera ture Resistance	-40°C to +250°C

CONNECTION THREAD "M" - EN 60423  
CONNECTION THREAD "PG" - DIN 40430

Metric Code	PG Code	Nominal Conduit Size	Metric Thread	PG Thread
Metric Code	PG Code	Metric Size	Inch Size	
FTLBSM 16	FTLBSP 16	16	1/2"	M20 PG 16
FTLBSM 21	FTLBSP 21	21	3/4"	M25 PG 21
FTLBSM 26	FTLBSP 26	26	1"	M32 PG 29
FTLBSM 35	FTLBSP 35	35	1 1/4"	M40 PG 36
FTLBSM 40	FTLBSP 40	40	1 1/2"	M50 PG 42
FTLBSM 51	FTLBSP 51	51	2"	M63 PG 48
FTLBSM 63		63	2 1/2"	M75
FTLBSM 78		78	3"	M80
FTLBSM 102		102	4"	M90



For insertion into knockouts using a locknut (order locknut separately)

ÇELİK SİRİRAL BORULAR  
FLEXIBLE STEEL CONDUITS

Çelik Spiral Boru Ek Parçaları

Flexible Steel Conduit Accessories

Döner Diş Ağır Hizmet Spiral Boru Rakoru - Boru Tipi /  
Swivel External Adap for Female Thread

Ha mm a d d e	Nikel kaplı Pirinç
IP Derecesi	IP 65 (IP68 with O-ring)
TİP	Döner Diş
Sürekli Isıya direnci	-40°C to +250°C
BAĞLANTI DIŞI "M" - EN 60423	
BAĞLANTI DIŞI "PG" - DIN 40430	
Ma teri al	Nic kel Plated Brass
IP Ra te	IP 65 (IP68 with O-ring)
TYPE	Swivel Body
Tempera ture Resistance	-40°C to +250°C

CONNECTION THREAD "M" - EN 60423  
CONNECTION THREAD "PG" - DIN 40430

For insertion into threaded entries & knockouts using a locknut (order locknut separately)

Metric Code	PG Code	Nominal Conduit Size	Metric Thread	PG Thread
Metric Code	PG Code	Metric Size	Inch Size	
FTLBDM 16	FTLBDP 16	16	1/2"	M20x1.5 PG 16
FTLBDM 21	FTLBDP 21	21	3/4"	M25x1.5 PG 21
FTLBDM 26	FTLBDP 26	26	1"	M32x1.5 PG 29
FTLBDM 35	FTLBDP 35	35	1 1/4"	M40x1.5 PG 36
FTLBDM 40	FTLBDP 40	40	1 1/2"	M50x1.5 PG 42
FTLBDM 51	FTLBDP 51	51	2"	M63x1.5 PG 48
FTLBDM 63		63	2 1/2"	M75x1.5
FTLBDM 78		78	3"	M80x1.5
FTLBDM 102		102	4"	M90x1.5

\*For EMT pipes please order Screw fix type  
\*EMT boru bağlantısı için lütfen vidalı tip sipariş veriniz



Kilitleme somunu / Locknut

Ha mm a d d e	Nikel kaplı Pirinç
	Galvaniz sac
BAĞLANTI DIŞI "M" - EN 60423	
BAĞLANTI DIŞI "PG" - DIN 40430	
Ma teri al	Nic kel Plated Brass
	Galvanised steel

CONNECTION THREAD "M" - EN 60423  
CONNECTION THREAD "PG" - DIN 40430

Metric Code	PG Code	Nominal Conduit Size	Metric Thread	PG Thread
Metric Code	PG Code	Metric Size	Inch Size	
FTKSM 12	FTKSPG 9	10	1/4"	M12 PG 9
FTKSM 16	FTKSPG 13	13	3/8"	M16 PG 13,5
FTKSM 20	FTKSPG 16	16	1/2"	M20 PG 16
FTKSM 25	FTKSPG 21	21	3/4"	M25 PG 21
FTKSM 32	FTKSPG 29	26	1"	M32 PG 29
FTKSM 40	FTKSPG 36	35	1 1/4"	M40 PG 36
FTKSM 50	FTKSPG 42	40	1 1/2"	M50 PG 42
FTKSM 63	FTKSPG 48	51	2"	M63 PG 48
FTKSM 75		63	2 1/2"	M75
FTKSM 80		78	3"	M80
FTKSM 90		102	4"	M90

\*For EMT pipes please order Screw fix type  
\*EMT boru bağlantısı için lütfen vidalı tip sipariş veriniz



ÇELİK SİRAL BORULAR  
FLEXIBLE STEEL CONDUITS

Çelik Spiral Boru Ek Parçaları

Flexible Steel Conduit Accessories

Sabit Diş Spiral Boru Rakoru - Boru Tipi / Fixed Internal Adapter Female Thread

Metrik Kodu / Nominal Conduit Size / Metric Thread  
Metric Code / Metric Size / Inch Size

Ham m a d d e	Nikel kaplı Pirinç
IP Derecesi	IP 44 (IP54 with O-ring)
TİP	Sabit Diş
Sürekli Isıya direnci	-40°C to +250°C

BAĞLANTI DIŞI "M" - EN 60423

Ma t e r i a l	Nickel Plated Brass
IP Rate	IP 44 (IP54 with O-ring)
TYPE	Fixed Body
Temperature Resistance	-40°C to +250°C

CONNECTION THREAD "M" - EN 60423

FTLBDM 16	16	1/2"	M20
FTLBDM 21	21	3/4"	M25
FTLBDM 26	26	1"	M32



\*For EMT pipes please order Screw fix type  
\*EMT boru bağlantısı için lütfen vidalı tip sipariş veriniz

For attaching to external threads & other fittings

Düz Giriş Burcu - Pano Tipi / Smooth Entry Bush

Metrik Kodu / Nominal Conduit Size / Metric Thread  
Metric Code / Metric Size / Inch Size

Ham m a d d e	Nikel kaplı Pirinç
IP Derecesi	IP 44 (IP54 with O-ring)
TİP	Diz Delik
Sürekli Isıya direnci	-40°C to +250°C
Ma t e r i a l	Nickel Plated Brass
IP Rate	IP 44 (IP54 with O-ring)
TYPE	Plain Hole
Temperature Resistance	-40°C to +250°C

For locking conduit into plain holes in enclosures

\*For EMT pipes please order Screw fix type  
\*EMT boru bağlantısı için lütfen vidalı tip sipariş veriniz

FTDGB 10	10	1/4"	15
FTDGB 12	12	3/8"	18
FTDGB 16	16	1/2"	22
FTDGB 21	21	3/4"	28
FTDGB 26	26	1"	35
FTDGB 32	32		40
FTDGB 35	35	1 1/4"	42
FTDGB 40	40	1 1/2"	50
FTDGB 51	51	2"	60
FTDGB 63	63	2 1/2"	75



ÇELİK SİRAL BORULAR  
FLEXIBLE STEEL CONDUITS

Çelik Spiral Boru Ek Parçaları

Flexible Steel Conduit Accessories

Sabit Diş Spiral Boru Rakoru - Boru Tipi / Fixed Internal Adapter Female Thread

Metrik Kodu / Nominal Conduit Size / Metric Thread  
Metric Code / Metric Size / Inch Size

Ham m a d d e	Nikel kaplı Pirinç
IP Derecesi	IP 44 (IP54 with O-ring)
TİP	Sabit Diş
Sürekli Isıya direnci	-40°C to +250°C

BAĞLANTI DIŞI "M" - EN 60423

Ma t e r i a l	Nickel Plated Brass
IP Rate	IP 44 (IP54 with O-ring)
TYPE	Fixed Body
Temperature Resistance	-40°C to +250°C

CONNECTION THREAD "M" - EN 60423

LBDM 16	16	1/2"	M20
LBDM 21	21	3/4"	M25
LBDM 26	26	1"	M32



\*For EMT pipes please order Screw fix type  
\*EMT boru bağlantısı için lütfen vidalı tip sipariş veriniz

For attaching to external threads & other fittings

Düz Giriş Burcu - Pano Tipi / Smooth Entry Bush

Metrik Kodu / Nominal Conduit Size / Metric Thread  
Metric Code / Metric Size / Inch Size

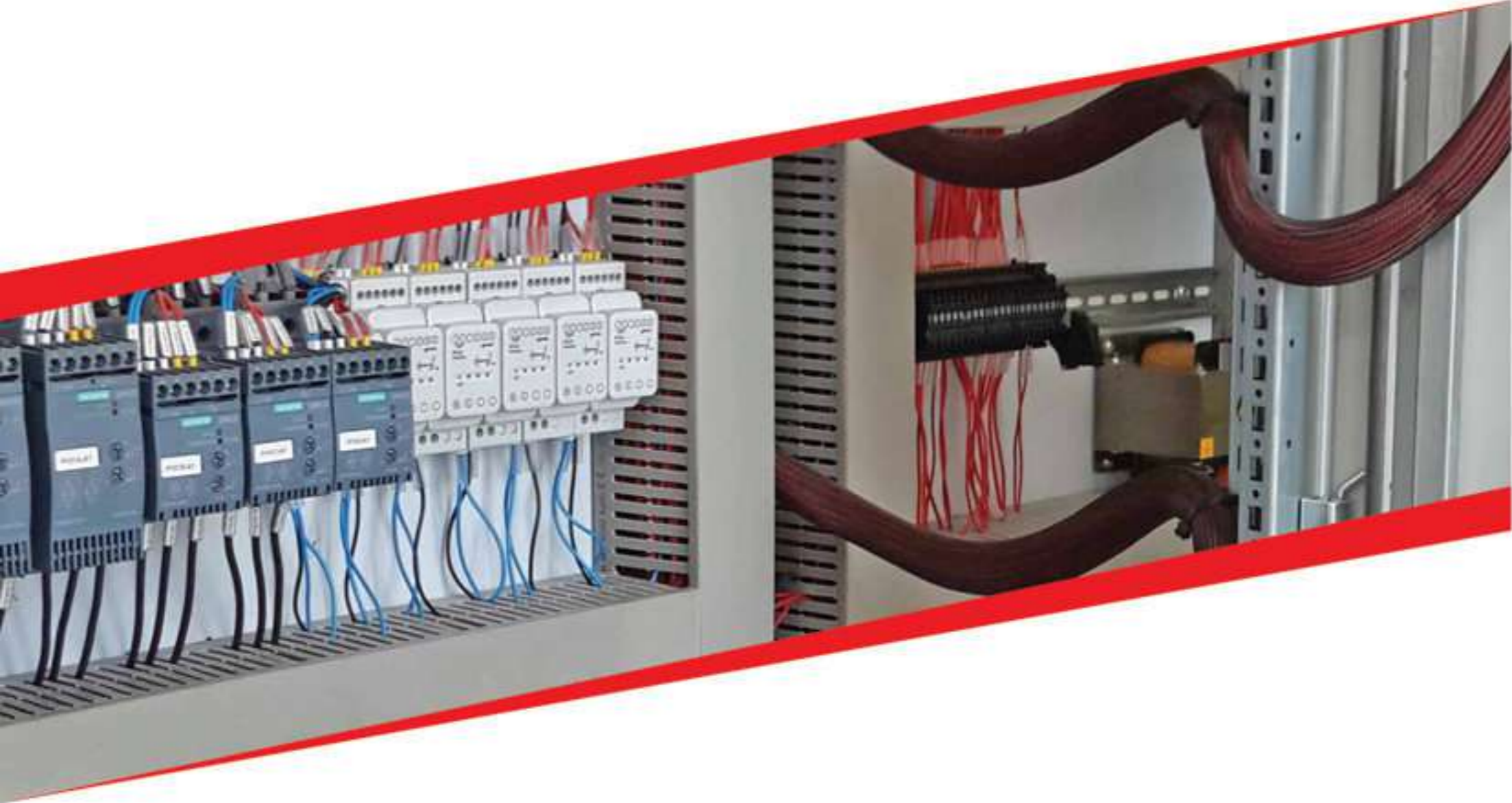
Ham m a d d e	Nikel kaplı Pirinç
IP Derecesi	IP 44 (IP54 with O-ring)
TİP	Diz Delik
Sürekli Isıya direnci	-40°C to +250°C
Ma t e r i a l	Nickel Plated Brass
IP Rate	IP 44 (IP54 with O-ring)
TYPE	Plain Hole
Temperature Resistance	-40°C to +250°C

For locking conduit into plain holes in enclosures

\*For EMT pipes please order Screw fix type  
\*EMT boru bağlantısı için lütfen vidalı tip sipariş veriniz

DGB 10	10	1/4"	15
DGB 12	12	3/8"	18
DGB 16	16	1/2"	22
DGB 21	21	3/4"	28
DGB 26	26	1"	35
DGB 32	32		40
DGB 35	35	1 1/4"	42
DGB 40	40	1 1/2"	50
DGB 51	51	2"	60
DGB 63	63	2 1/2"	75

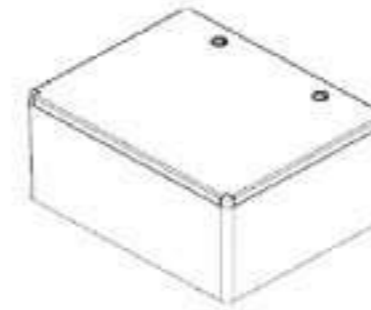




## ELEKTRİK PANOLARI CABLE DISTRIBUTION

### ABS PANOLAR ABS PANELS

#### Opak Kapaklı Elektrik Panoları Electrical Panel With Solid Door



#### GENEL ÖZELLİKLER

Ham Madde	HB ABS HALOGEN FREE
Kalite Standartı	EN60670 -1, EN60670 -24
Renk	RAL 7035
Çalışma Sıcaklığı	-40°C / +70°C
Voltaj	690 V 'a kadar
Maksimum Akım	800 A 'e kadar
Kapak Açılma Açısı	180°
Koruma Sınıfı	IP65
IK Derecesi	IK08
Taban Sacı	1 mm Galvanizli Sac

#### EK ÖZELLİKLER

Polüretan Dökme Conta veya EPDM Conta
Olumsuz Hava Koşullarına Yüksek Dayanım
Asit ve Bazlara Karşı Tam Koruma
UV Dayanımı
Nem Dayanımı
Alev yandırmayan

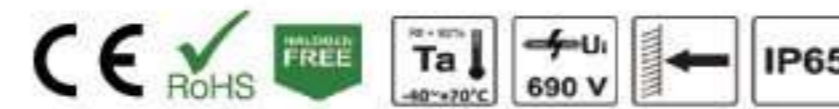
#### GENERAL SPECIFICATIONS

Raw Material	HB ABS HALOGEN FREE
Quality Standard	EN60670 -1, EN60670 -24
Color	RAL 7035
Operating Temperature	-40°C / +70°C
Rated Voltage	Up to 690 V
Maximum Current	Up to 800 A
Door Opening Angle	180°
Protection Class	IP65
IK Degree	IK08
Mounting Plate	1 mm Galvanized Steel

#### ADDITIONAL SPECIFICATIONS

Polyurethane Foam Gasket or EPDM Gasket
High Resistance Adverse Weather Conditions
Full Protection Against Acid and Base
UV Resistance
Humidity Resistance
Self-extinguishing

Ölçü Size	Ref. Kodu Code	Menteşe Hinge Qty	Kilit Lock Qty	Ambalajlı Miktar Quantity/Pack	Hacim Volume (m <sup>3</sup> )	Ağırlık Weight (kg)
200x300x130mm	FTEB1 203013	2	1	1	0,008	1,7
250x350x150mm	FTEB1 253515	2	1	1	0,013	2,2
300x400x170mm	FTEB1 304017	2	2	1	0,020	3,0
300x400x220mm	FTEB1 304022	2	2	1	0,026	3,4
350x500x190mm	FTEB1 355019	2	2	1	0,033	4,3
400x500x175mm	FTEB1 405017	3	2	1	0,035	4,3
400x500x240mm	FTEB1 405024	3	2	1	0,048	5,6
400x600x200mm	FTEB1 406020	3	2	1	0,048	6,0
500x700x250mm	FTEB1 507025	3	2	1	0,088	10,1
600x800x260mm	FTEB1 608026	4	3	1	0,125	13,5



ABS PANOLAR  
ABS PANELS

Şeffaf Kapaklı Elektrik Panoları

Electric Panel With Transparent Door

GENEL ÖZELLİKLER

Pano Hammadde	HB ABS HALOGEN FREE
Kapak Hammadde	Polikarbonat
Kalite Standartı	EN60670-1, EN60670-24
Renk	RAL 7035
Çalışma Sıcaklığı	-40°C / +70°C
Voltaaj	690 V 'a kadar
Maksimum Akım	800 A 'e kadar
Kapak Açılma Açısı	180°
Koruma Sınıfı	IP65
IK Derecesi	IK08
Taban Sacı	1 mm Galvanizli Sac



EK ÖZELLİKLER

Poliüretan Dökme Conta veya EPDM Conta  
Olumsuz Hava Koşullarına Yüksek Dayanım  
Asit ve Bazlara Karşı Tam Koruma  
UV Dayanımı  
Nem Dayanımı  
Alev İletmez ve kendiliğinden söner.

GENERAL SPECIFICATIONS

Panel Raw Material	HB ABS HALOGEN FREE
Cover Raw Material	Polycarbonate
Quality Standard	EN60670-1, EN60670-24
Color	RAL 7035
Operating Temperature	-40°C / +70°C
Rated Voltage	Up to 690 V
Maximum Current	Up to 800 A
Door Opening Angle	180°
Protection Class	IP65
IK Degree	IK08
Mounting Plate	1 mm Galvanised Steel

ADDITIONAL SPECIFICATIONS

Polyurethane Foam Gasket or EPDM Gasket  
High Resistance Adverse Weather Conditions  
Full Protection Against Acid and Base  
UV Resistance  
Humidity Resistance  
Flame proof, self-extinguishing.

Ölçü Size	Ref. Kodu Code	Menteşe Hinge Qty	Kilit Lock Qty	Ambar (Çi) Miktarı Quantity/Pack	Hacim Volume (m <sup>3</sup> )	Ağırlık Weight (kg)
200x300x130mm	FTEB2203013	2	1	1	0,008	1,7
250x350x150mm	FTEB2253515	2	1	1	0,013	2,2
300x400x170mm	FTEB2304017	2	2	1	0,020	3,0
300x400x220mm	FTEB2304022	2	2	1	0,026	3,4
350x500x190mm	FTEB2355019	2	2	1	0,033	4,3
400x500x175mm	FTEB2405017	3	2	1	0,035	4,3
400x500x240mm	FTEB2405024	3	2	1	0,048	5,6
400x600x200mm	FTEB2406020	3	2	1	0,048	6,0
500x700x250mm	FTEB2507025	3	2	1	0,088	10,1
600x800x260mm	FTEB2608026	4	3	1	0,125	13,5



ABS PANOLAR  
ABS PANELS

Opak Kapaklı Modüler Elektrik Panoları

Modüler Elektrik Panel With Solid Door

GENEL ÖZELLİKLER

Hammadde	HB ABS HALOGEN FREE
Kalite Standartı	EN60670-1, EN60670-24
Renk	RAL 7035
Çalışma Sıcaklığı	-40°C / +70°C
Voltaaj	690 V 'a kadar
Maksimum Akım	800 A 'e kadar
Kapak Açılma Açısı	180°
Koruma Sınıfı	IP65
IK Derecesi	IK08
Taban Sacı	1 mm Galvanizli Sac



EK ÖZELLİKLER

Poliüretan Dökme Conta veya EPDM Conta  
Olumsuz Hava Koşullarına Yüksek Dayanım  
Asit ve Bazlara Karşı Tam Koruma  
UV Dayanımı  
Alev İletmez ve kendiliğinden söner.  
Nem Dayanımı

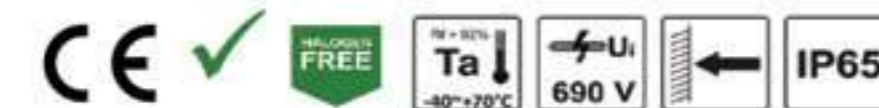
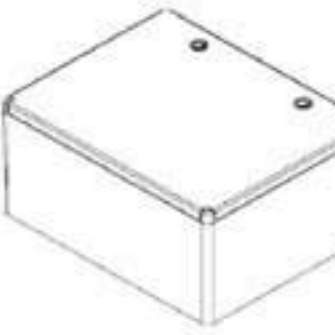
GENERAL SPECIFICATIONS

Raw Material	HB ABS HALOGEN FREE
Quality Standard	EN60670-1, EN60670-24
Color	RAL 7035
Operating Temperature	-40°C / +70°C
Rated Voltage	Up to 690 V
Maximum Current	Up to 800 A
Door Opening Angle	180°
Protection Class	IP65
IK Degree	IK08
Mounting Plate	1 mm Galvanised Steel

ADDITIONAL SPECIFICATIONS

Polyurethane Foam Gasket or EPDM Gasket  
High Resistance Adverse Weather Conditions  
Full Protection Against Acid and Base  
UV Resistance  
Flame proof, self-extinguishing.  
Humidity Resistance

Ölçü Size	Ref. Kodu Code	Menteşe Hinge Qty	Kilit Lock Qty	Ambar (Çi) Miktarı Quantity/Pack	Hacim Volume (m <sup>3</sup> )	Ağırlık Weight (kg)	MCB Adet MCB Qty
250x350x150mm	FTEB2253515	2	1	1	0,015	2,4	18 (9 x 2)
300x400x170mm	FTEB2304017	2	2	1	0,020	3,0	24 (12 x 2)
350x500x190mm	FTEB2355019	2	2	1	0,033	4,4	45 (15 x 3)
400x600x200mm	FTEB2405024	3	2	1	0,048	5,4	60 (15 x 4)



ABS PANOLAR  
ABS PANELS

Şeffaf Kapaklı Modüller Elektrik Panoları

Modüler Elektrik Panel With Transparent Door



GENEL ÖZELLİKLER

Hammaddede	HB ABS HALOGEN FREE
Kapak Hammaddede	Polikarbonat
Kalite Standartı	EN60670-1, EN60670-24
Renk	RAL 7035
Çalışma Sıcaklığı	-40°C / +70°C
Voltaaj	690 V' a kadar
Maksimum Akım	800 A' e kadar
Kapak Açılma Açısı	180°
Koruma Sınıfı	IP65
IK Derecesi	IK08
Taban Sacı	1 mm Galvanizli Sac

GENERAL SPECIFICATIONS

Raw Material	HB ABS HALOGEN FREE
Cover Material	Polycarbonate
Quality Standard	EN60670-1, EN60670-24
Color	RAL 7035
Operating Temperature	-40°C / +70°C
Rated Voltage	Upto 690 V
Maximum Current	Upto 800 A
Door Opening Angle	180°
Protection Class	IP65
IK Degree	IK08
Mounting Plate	1 mm Galvanized Steel

EK ÖZELLİKLER

Polüretan Dökme Conta veya EPDM Conta
Okumsuz Hava Koşullarına Yüksek Dayanım
Asit ve Bazlara Karşı Tam Koruma
Alev İletmez ve kendiliğinden söner.
UV Dayanımı
Nem Dayanımı

ADDITIONAL SPECIFICATIONS

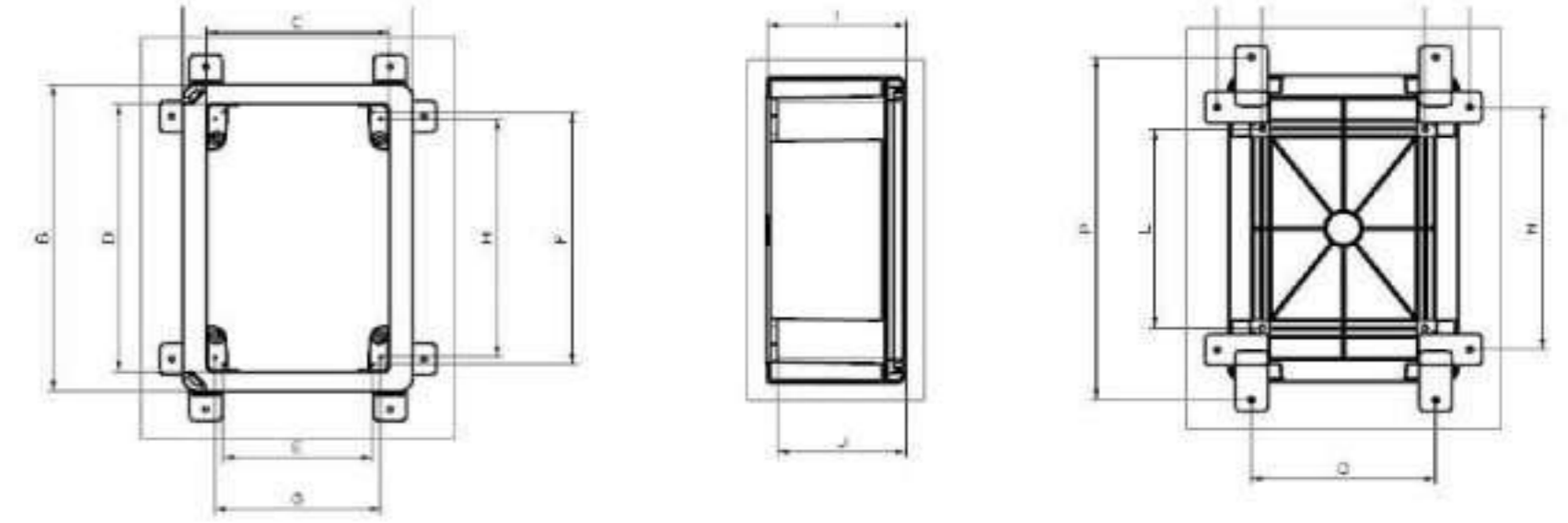
Polyurethane Foam Gasket or EPDM Gasket
High Resistance Adverse Weather Conditions
Full Protection Against Acid and Base
Flameproof, self-extinguishing.
UV Resistance
Humidity Resistance

Ölçü Size	Ref. Kodu Code	Menteşe Hinge Qty	Kilit Lock Qty	Ambalajlı Miktar Quantity/Pack	Hacim Volume (m <sup>3</sup> )	Ağırlık Weight (kg)	MCB Adet MCB Qty
250x350x150mm	FTEB4253515	2	1	1	0,015	2,4	18 (9 x 2)
300x400x170mm	FTEB4304017	2	2	1	0,020	3,0	24 (12 x 2)
350x500x190mm	FTEB4355019	2	2	1	0,033	4,4	45 (15 x 3)
400x600x200mm	FTEB4405024	3	2	1	0,048	5,4	60 (15 x 4)

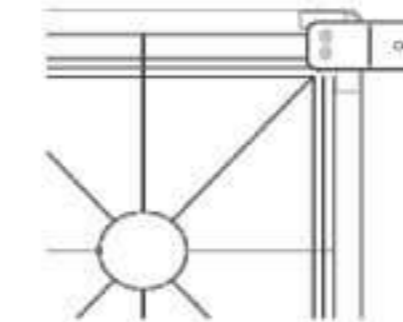
ABS PANOLAR  
ABS PANELS

Pano Ölçüleri

Panel Dimensions



	20x30x1.3	25x35x1.5	30x40x1.7	30x40x2.2	35x50x1.9	40x50x1.7,5	40x50x2.4	40x60x2.0	50x70x2.5	60x80x2.6
A	200	250	300	300	350	400	400	400	500	600
B	300	350	400	400	500	500	500	600	700	800
C	143	195	245	241	291	344	340	341	443.5	548
D	250	300	352	348	448	451	447	548	650.5	732
E	112	162	212	212	262	312	312	312	412	---
F	238	288	338	338	438	438	438	538	638	---
G	130	180	230	230	280	330	330	330	430	---
H	222	272	322	322	422	422	422	522	622	---
I	130	150	170	220	190	175	240	200	250	260
J	119	139	159	209	179	151	229	189	239	240
K	127	177	227	227	277	327	327	327	427	480
L	177	227	277	277	377	377	377	477	577	600
M	225	275	324.5	324.5	374.5	425	425	424.5	524.5	609
N	227	277	327	326.5	426.5	427	427	526.5	626.5	744
O	150.5	200	250	250.5	300.5	350.5	350.5	350.5	450.5	---
P	346	391	441	441	541	541	541	641	741	---

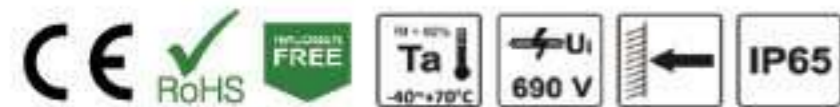


Kutu İçeriği

- 4 adet askı aparatı
- 8 adet 4,2x13 vida
- 4 adet 4,2x16 vida
- Anahtar

Box Contents

- Wall Hanging Clips (4 Pcs)
- 4,2x13 Screws (8 Pcs)
- 4,2x16 Screws (4 Pcs)
- Spanner (1 Pcs)



POLYESTER PANOLAR  
GRP PANELS

Polyester Panolar

GRP Electrical Panel

GENEL ÖZELLİKLER

Ham madde	Cam Elyaf Takviyeli Polyester
Kalite Standartı	EN61439, EN60670-1
Renk	RAL 7035
Çalışma Sıcaklığı	-40°C / +70°C
Volaj	690 V 'a kadar
Maksimum Akım	800 A 'e kadar
Kapak Açılma Açısı	210°
Koruma Sınıfı	IP65
IK Derecesi	IK08'e kadar
Taban Sacı	Galvanizli Sac
Topraklama Sınıfı	Class II
Yangın Dayanımı	V0,V2,B2,A1,A2,B1 Olabilir

EK ÖZELLİKLER

Polyuretan Dökme Conta veya EPDM Conta
Olumsuz Hava Koşullarına Yüksek Dayanım
Ast ve Bazlara Karşı Tam Koruma
UV Dayanımı
V0, V2 olarak mevcuttur
Kilit seçenekleri mevcuttur

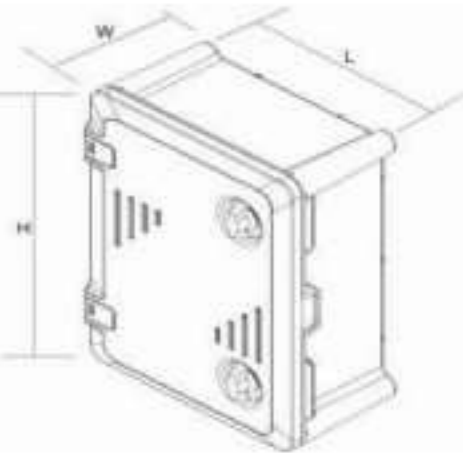
GENERAL SPECIFICATIONS

Raw Material	GRP (Glass Reinforced Polyester)
Quality Standard	EN61439, EN60670-1
Color	RAL 7035
Operating Temperature	-40°C / +70°C
Rated Voltage	Up to 690 V
Maximum Current	Up to 800 A
Door Opening Angle	210°
Protection Class	IP65
IK Degree	Up to IK08
Mounting Plate	Galvanised Steel
Grounding Class	Class II
Fire Resistance	V0,V2,B2,A1,A2,B1 available

ADDITIONAL SPECIFICATIONS

Polyurethane Foam Gasket or EPDM Gasket
High Resistance Adverse Weather Conditions
Full Protection Against Acid and Base
UV Resistance
V0 and V2 available
Lock types are optional

Ölçü Size	Ref. Kodu Code (V2)	W (mm)	H (mm)	L (mm)	Ambalajlı Miktar Quantity/Pack	Koli Hacmi (m <sup>3</sup> ) Box Volume	Koli Ağırlık Box Weight (kg)
20 x 30 x 12	FTEB620301 2	120	300	200	8	0,071	26,4
21 x 32 x 13	FTEB621321 3	130	320	210	8	0,087	40,8
25 x 30 x 17	FTEB625301 7	170	300	250	6	0,090	29,8
30 x 40 x 17	FTEB630401 7	170	400	300	4	0,099	26,7
35 x 50 x 17	FTEB635501 7	170	500	350	2	0,067	17,4
40 x 60 x 20	FTEB640602 0	200	600	400	1	0,055	13,2
50 x 70 x 20	FTEB650702 0	200	700	500	1	0,082	17,7
60 x 80 x 22	FTEB660802 2	220	800	600	1	0,132	38,2



POLYESTER PANOLAR  
GRP PANELS

Polyester Panolar

GRP Electrical Panel

Ölçü  
Size

20 x 30 x 12 21 x 32 x 13 25 x 30 x 17 30 x 40 x 17 35 x 50 x 17 40 x 60 x 20 50 x 70 x 20 60 x 80 x 22

Menteşe - Hinge	2 pieces	2 pieces	2 pieces	2 pieces	2 pieces	2 pieces	3 pieces	3 pieces
Kilit - Lock	1 piece	1 piece	1 piece	2 pieces	2 pieces	2 pieces	2 pieces	2 pieces
Kalınlık - Thickness	min 3-4 mm	min 3-4 mm	min 3-4 mm	min 3-4 mm	min 3-4 mm	min 3-4 mm	min 4-5 mm	min 4-5 mm
Taban Sacı - Mounting Plate	0,8 mm	0,8 mm	0,8 mm	0,8 mm	0,8 mm	1 mm	1 mm	1 mm
Ürün Ağırlığı - Product Weight	2,40 kg	1,92 kg	2,98 kg	4,69 kg	6,35 kg	8,96 kg	11,80 kg	16,85 kg
Ürün Hacmi (m <sup>3</sup> ) - Product Volume	0,007	0,008	0,012	0,020	0,030	0,048	0,070	0,100



UYGULAMA ALANLARI

Trafo Kuvvet Panoları  
Kompanzasyon Panoları  
Dağıtım Panoları  
Şebeke Jeneratör  
Transfer Uygulamaları  
Otomasyon Panoları  
Kumanda Panoları  
Aydınlatma Panoları  
OSOS Panoları  
Sayaç Panoları

APPLICATIONS

Transformer Load Boards  
Compensation Boards  
Distribution Boards  
Network Generator  
Transfer Applications  
Automation Panels  
Control Panels  
Lighting Panels  
OSOS Panels  
Counter Panels

KILIT SEÇENEKLERİ - LOCK OPTIONS



Kutu İçeriği

- 4 adet askı parçası
- 4 adet M5 x 12 YSB vida
- Anahtar
- Taban sacı

Box Contents

- Wall Hanging Clips (4 Pcs)
- M5x12 Phillips Head Screws (4 Pcs)
- Spanner (1 Pcs)
- Mounting plate



SİGORTA KUTULARI  
FUSE BOXES

Mühürlü Sıva Üstü Sigorta Kutuları

Sealed Surface Fuse Boxes



GENEL ÖZELLİKLER

Ham madde	ABS
Kalite Standartı	EN 606 70-1, EN 606 70-24
Renk	RAL 9010
Çalışma Sıcaklığı	-15°C / +60°C
Koruma Sınıfı	IP40
Yangın Dayanımı	650 °C'ye kadar
Topraklama Sınıfı	Sınıf II

GENERAL SPECIFICATIONS

Raw Material	ABS
Quality Standard	EN 606 70-1, EN 606 70-24
Color	RAL 9010
Operating Temperature	-15°C / +60°C
Protection Class	IP40
Fire Resistance	Up to 650 °C
Insulating Class	Class II

EK ÖZELLİKLER

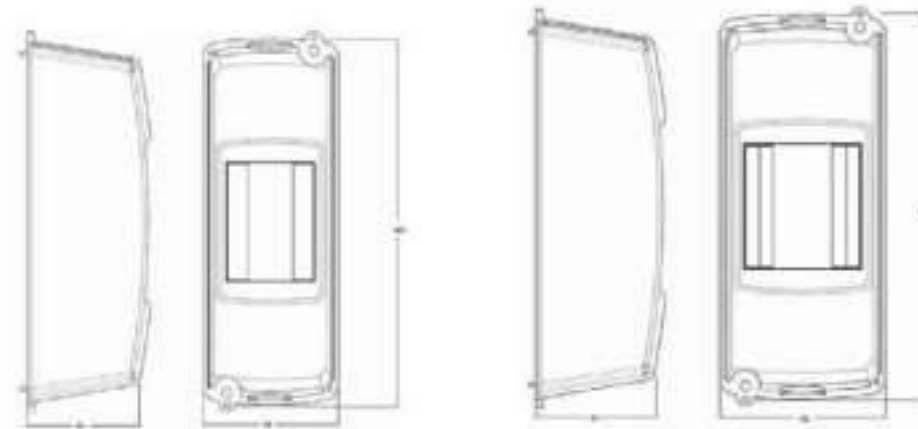
Elektrik iletmez, güvenlidir.  
Alev iletmez ve kendiliğinden söner.  
Atmosferik şartlara karşı dayanıklıdır.  
Isıya ve darbelerle karşı dayanıklı.  
Kolay montaj

ADDITIONAL SPECIFICATIONS

Dielectric, safety  
Flameproof, self-extinguishing.  
Resistant to atmosphere conditions.  
Resistant to heat and impact  
Easy installation

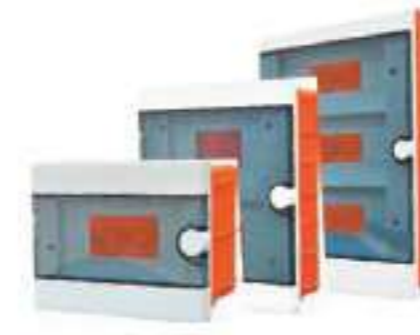


Ölçü / Size	Ref. Kodu / Code	W (m)	H (m)	L (m)	Ambalajlı Miktar / Quantity/Pack	Hacim / Volume (m <sup>3</sup> )	Ağırlık / Weight (kg)
1-2	FTF51101002	0,380	0,450	0,590	180	0,010	13,75
3-4	FTF51103004	0,560	0,580	0,390	144	0,127	16,34



Sıva Altı Sigorta Kutusu

Flush Mounted Fuse Boxes



GENEL ÖZELLİKLER

Ham madde	ABS
Kasa Ham madde	Polistren / Turuncu RAL 2001
Kapak Ham madde	SAN / Şeffaf Gri
Kalite Standartı	EN 606 70-1, EN 606 70-24
Renk	RAL 9010
Çalışma Sıcaklığı	-15°C / +60°C
Kapak Açılma Açısı	180°
Koruma Sınıfı	IP40
Yangın Dayanımı	650 °C'ye kadar
Topraklama Sınıfı	Sınıf II
Sigorta Rayı	Galyvanizli Sac

GENERAL SPECIFICATIONS

Raw Material	ABS
Bottom Case Material	Polystyrene / Orange RAL 2001
Cover Material	SAN / Smoked Grey
Quality Standard	EN 606 70-1, EN 606 70-24
Color	RAL 9010
Operating Temperature	-15°C / +60°C
Door Opening Angle	180°
Protection Class	IP40
Fire Resistance	Up to 650 °C
Insulating Class	Class II
Circuit Breaker Rail	Galvanized Steel

EK ÖZELLİKLER

Paslanmaz, boya bakım gerektirmez.  
Elektrik iletmez, güvenlidir.  
Alev iletmez ve kendiliğinden söner.  
Atmosferik şartlara karşı dayanıklıdır.  
Geniş iç hacim, estetik tasarım  
Isıya ve darbelerle karşı dayanıklı.  
Topraklama klemensi ve bağlantı aksesuarları mevcuttur.  
Yalıtımı topraklamayla bağlama opsiyonu  
Halojensiz opsiyonu  
Kolay montaj

ADDITIONAL SPECIFICATIONS

Rustproof, no need painting and maintenance.  
Dielectric, safety  
Flameproof, self-extinguishing.  
Resistant to atmosphere conditions.  
Wide internal space, Selected designs  
Resistant to heat and impact  
Equipped with earthing and installation accessories  
Installation of insulated earthing is optional  
Halogen free type is optional  
Easy installation



Ölçü / Size	Ref. Kodu / Code	W (m)	H (m)	L (m)	Ambalajlı Miktar / Quantity/Pack	Hacim / Volume (m <sup>3</sup> )	Ağırlık / Weight (kg)
2-6	FTFS1002006	0,380	0,520	0,440	30	0,087	10,87
9	FTFS1009000	0,450	0,540	0,350	20	0,085	10,98
12	FTFS1012000	0,440	0,625	0,440	16	0,121	12,00
16	FTFS1016000	0,450	0,590	0,480	16	0,127	13,62
24	FTFS1024000	0,430	0,700	0,320	8	0,096	10,53
36	FTFS1036000	0,650	0,430	0,450	8	0,126	16,99

SIGORTA KUTULARI  
FUSE BOXES

Sıva Üstü Sigorta Kutusu

Surface Mounted Fuse Boxes



GENEL ÖZELLİKLER

Ham madde	ABS
Kapak Ham madde	SAN / Şeffaf Gri
Kalite Standardı	EN 60670-1, EN 60670-24
Renk	RAL 9010
Çalışma Sıcaklığı	-15°C / +60°C
Kapak Açılma Açısı	180°
Koruma Sınıfı	IP40
Yangın Dayanımı	650 °C'ye kadar
Topraklama Sınıfı	Sınıf II
Sigorta Rayı	Galvanizli Sac

EK ÖZELLİKLER

Paşanmaz, boya bakım gerektirmez
Elektrik iletmez, güvenlidir
Alev ilelemez ve kendiliğinden söner
Atmosferik şartlara karşı dayanıklıdır
Geniş iç hacim, estetik tasarım
Isya ve darbelerle karşı dayanıklı
Topraklama klemens ve bağlantı aksesuarları mevcuttur
Yalıtımı topraklama ile bağlantı opsiyonu
Halojenli opsiyonu
Kolay montaj

GENERAL SPECIFICATIONS

Raw Material	ABS
Cover Material	SAN / Smoked Grey
Quality Standard	EN 60670-1, EN 60670-24
Color	RAL 9010
Operating Temperature	-15°C / +60°C
Door Opening Angle	180°
Protection Class	IP40
Fire Resistance	Up to 650 °C
Insulating Class	Class II
Circuit Breaker Rail	Galvanized Steel

ADDITIONAL SPECIFICATIONS

Rustproof, no need painting and maintenance
Dielectric, safety
Flame proof, self-extinguishing
Resistant to atmosphere conditions
Wide internal space, Selected designs
Resistant to heat and impact
Equipped with earthing and installation accessories
Installation of insulated earthing is optional
Halogen free type is optional
Easy installation

Ölçü Size	Ref. Kodu Code	W (mm)	H (mm)	L (mm)	Ambalaj İçerik Quantity/Pack	Hacim Volume (m <sup>3</sup> )	Ağırlık Weight (kg)
2-6	FT FS1102006	0,380	0,520	0,440	30	0,087	12,58
9	FT FS1109000	0,450	0,540	0,350	20	0,085	10,05
12	FT FS1112000	0,440	0,625	0,440	16	0,121	13,60
16	FT FS1116000	0,450	0,590	0,480	16	0,127	14,94
24	FT FS1124000	0,430	0,700	0,320	8	0,096	11,36
36	FT FS1136000	0,650	0,430	0,450	8	0,126	16,99

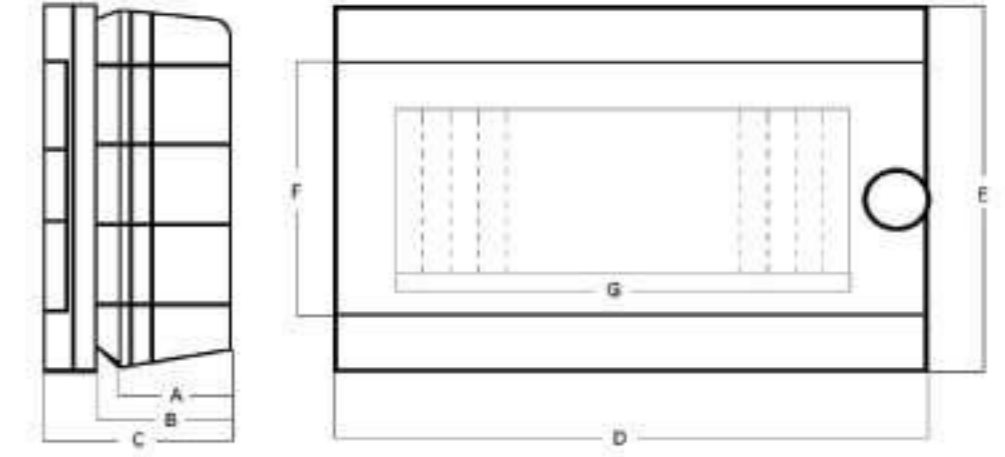


SIGORTA KUTULARI  
FUSE BOXES

Sigorta Kutusu Ölçüleri

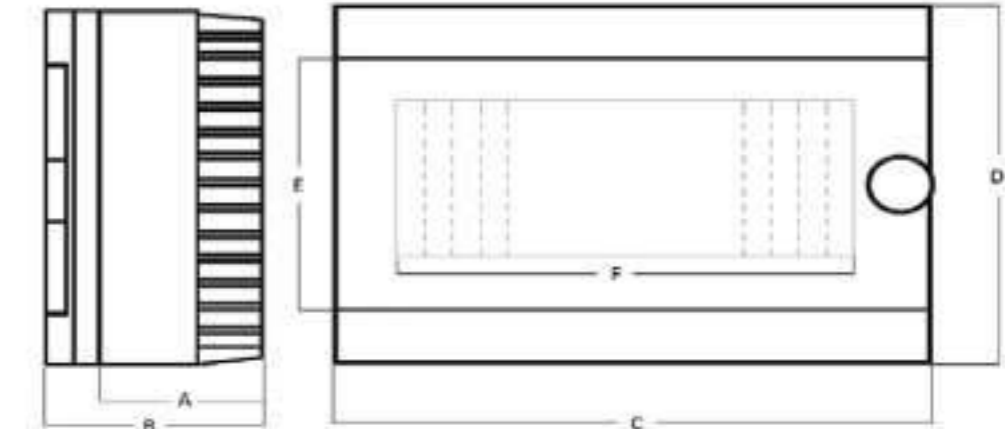
Fuse Box Dimensions

FLUSH MOUNTED FUSE BOXES



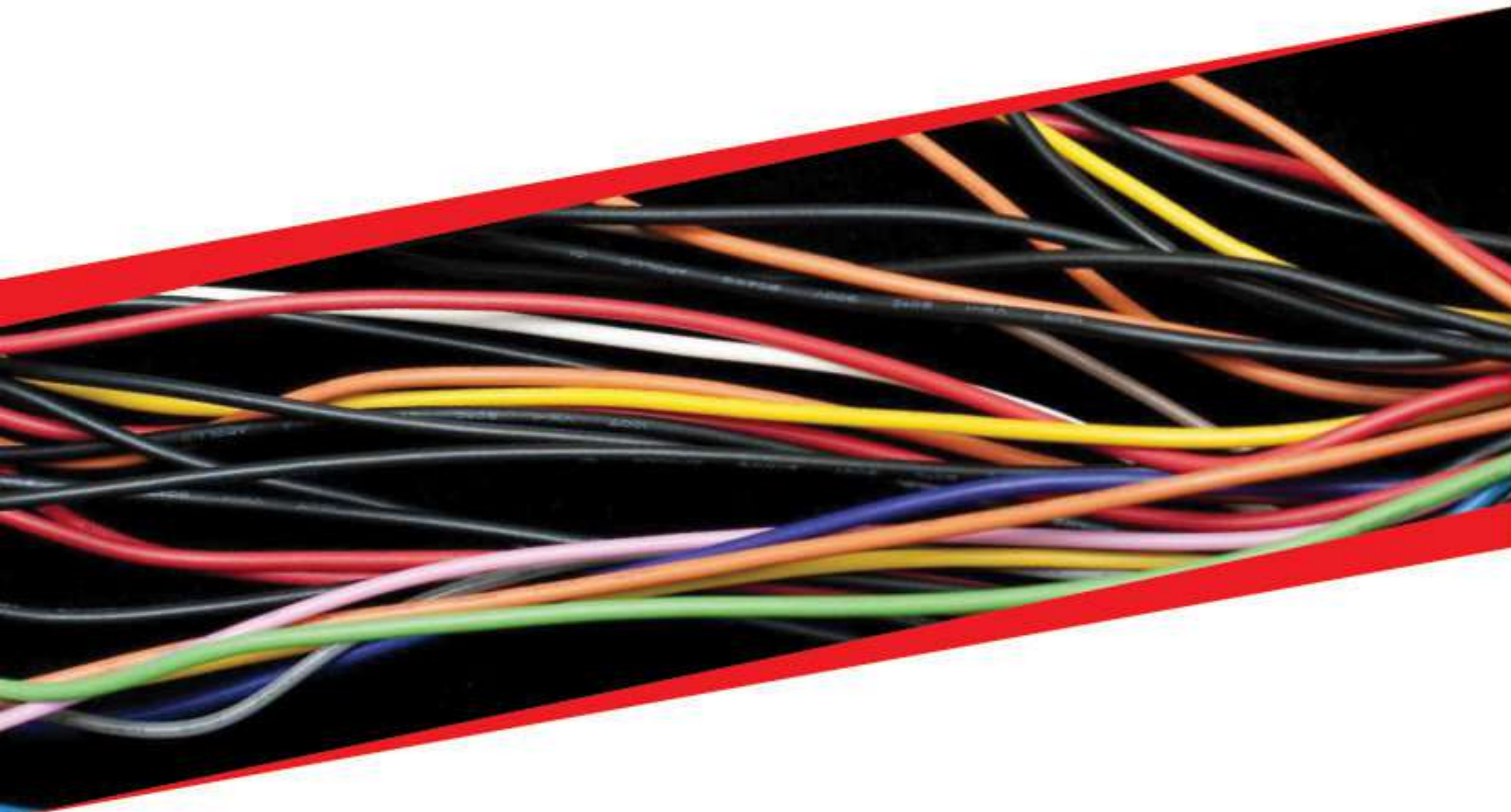
	A	B	C	D	E	F	G
2-6	57	70	91	188	141	90	108
9	57	70	93	226	165	95	162
12	57	70	95	311	206	134	216
16	57	70	91	234	286	216	144
24	57	70	95	311	342	250	216
36	57	70	98	317	438	315	216

SURFACE MOUNTED FUSE BOXES



	A	B	C	D	E	F
2-6	70	91	185	141	90	108
9	70	91	226	185	95	162
12	70	91	310	206	134	216
16	70	93	234	286	216	144
24	70	97	331	342	250	216
36	70	101	317	438	315	216





YERALTI KABLO KAPAKLARI  
UNDERGROUND CABLE COVER

**NEW!**

Tip 1 Kablo Koruma Kapağı / A + BOARD

Type 1 Cable Cover / A + BOARD

GENEL ÖZELLİKLER

Hammadde	PVC UL94, V0 M1
Yoğunluk	1.4 g/cm <sup>3</sup> ± 10%
Çalışma sıcaklığı	-25 +65 C °
Renk	Parlak Sarı RAL 1016 İstenen renkte üretim yapılabilir
Gerilme direnci	>20 N/mm <sup>2</sup>
Çekme dayanımı	> 10 N/mm <sup>2</sup>
Çekme uzaması	> 30%
Elastiklik modülü	2.7 N/mm <sup>2</sup> ± 10%
Isıl iletkenlik katsayısı	> 0.3 W/(K m)
Yangın Dayanımı	960 C <sup>0</sup> 'ye kadar

GENERAL SPECIFICATIONS

Raw material	PVC UL94, V0 M1
Density	1.4 g/cm <sup>3</sup> ± 10%
Operation temperature	-25 +65 C °
Colour	Bright yellow RAL 1016 Color can be customised
Tensile strength	>20 N/mm <sup>2</sup>
Pulling resistance	> 10 N/mm <sup>2</sup>
Elongation at break	> 30%
Elasticity module	2.7 N/mm <sup>2</sup> ± 10%
Thermal conductivity coefficient	> 0.3 W/(K m)
Fire Resistant	Up to 960 C



25 Metre kapak  
25 Meters of covers

EK ÖZELLİKLER

UV dayanımı	
Kolay taşıma, kurulum, alev yamaz	
Ekonomik ve adaptasyonu kolay	
Asit, yağlara ve yağmur sularına karşı dayanımlı	
Elektrik iletmez	
Sıvı geçirgenliği için opsiyonel sıvı delikler	
Yüksek mekanik dayanım	

ADDITIONAL SPECIFICATIONS

UV resistant	
Easy transport, install, self-extinguishing	
Economic and adaptable	
Resistant to acids, oils and greases and rain	
Non-conductive	
Optional punch holes	
Increased mechanical strength	



Ölçü / Size	Ref. Kodu / Code	Geniçlik / Width (mm)	Kalınlık (mm) / Thickness	Ambar İçerisi / Qty Per Pack (m)	Palet Miktarı (m) / Pallet Quantity	Palet Hacmi (m <sup>3</sup> ) / Pallet Volume (m <sup>3</sup> )	Palet Hattı (m <sup>3</sup> ) / Volume (m <sup>3</sup> )	Palet Ağırlık / Weight (kg)
200 x 32	FTUCC 20032	200	2,20	25	1200	0,019	1,02	990

**DiĞER ÜRÜNLER**  
**OTHER PRODUCTS**



Standart üretim 1m'dir. İstenilen boyda üretim yapılabilir.  
Standard length 1m. Other lengths available.

Kurşun içermeyen çevreye saygılı PVC hammaddeden üretilir.  
Lead-Free environment friendly PVC material.

YERALTI KABLO KAPAKLARI  
UNDERGROUND CABLE COVER

Tip 2 Kablo Koruma Kapağı / A + BOARD

Type 2 Underground Cable Cover / A + BOARD

NEW!

GENEL ÖZELLİKLER

Ham madde	PVC UL94, V0 M1
Yoğunluk	1.85 g/cm <sup>3</sup> ± 10%
Çalışma sıcaklığı	-25 +65 C <sup>0</sup>
Renk	İstenen renkte üretim yapılabilir
Gerilme direnci	>10 N/mm <sup>2</sup>
Çekme dayanımı	> 10 N/mm <sup>2</sup>
Çekme uzaması	> 30%
Elastiklik modülü	2.7 N/mm <sup>2</sup> ± 10%
Isıl iletkenlik katsayısı	> 0.3 W/(K m)
Yangın Dayanımı	960 C <sup>0</sup> 'ye kadar

GENERAL SPECIFICATIONS

Raw material	PVC UL94, V0 M1
Density	1.4 g/cm <sup>3</sup> ± 10%
Operation temperature	-25 +65 C <sup>0</sup>
Colour	Color can be customised
Tensile strength	>10 N/mm <sup>2</sup>
Pulling resistance	> 10 N/mm <sup>2</sup>
Elongation at break	> 30%
Elasticity module	2.7 N/mm <sup>2</sup> ± 10%
Thermal conductivity coefficient	> 0.3 W/(K m)
Fire Resistant	Up to 960 C <sup>0</sup>

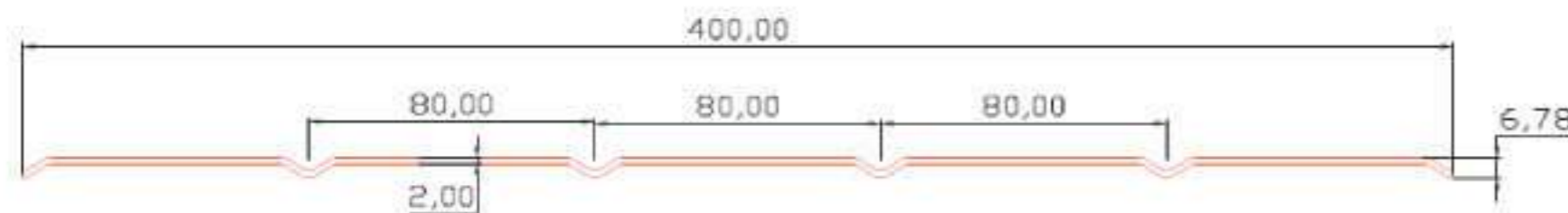


EK ÖZELLİKLER

UV dayanımı
Kolay taşıma, kurulum, alev yaymaz
Ekonomik ve adaptasyonu kolay
Asit, yağlara ve yağmur sulanına karşı dayanımlı
Elektrik iletmez
Sıvı geçirgenliği için opsiyonel sıvı delikler
Yüksek mekanik dayanım

ADDITIONAL SPECIFICATIONS

UV resistant
Easy transport, install, self-extinguishing
Economic and adaptable
Resistant to acids, oils and greases and rain
Non-conductive
Optional punch holes
Increased mechanical strength



Ölçü / Size	Ref. Kodu / Code	Genişlik / Width (mm)	Kalınlık (mm) / Thickness	Ambar İçerisi Miktarı / Qty (Pallet)	Palet Miktarı (adet) / Pallet Quantity	Paket Hacmi / Pkcs. Volume (m <sup>3</sup> )	Palet Hacmi / Volume (m <sup>3</sup> )	Palet Ağırlığı / Weight (kg)
400 x 6,8	FTUCC 400068	400	2,00	20	1000	0,020	1,08	1475

Standart üretim 1m'dir. İstenilen boyda üretim yapılabilir.  
Standard length 1m. Other lengths available.

Kuşun çevreye saygılı PVC hammaddeden üretilir.  
Lead-Free environment friendly PVC material.



YERALTI KABLO KAPAKLARI  
UNDERGROUND CABLE COVER

Kablo Koruma Kapağı / A + BOARD

Underground Cable Cover / A + BOARD

NEW!

TUĞLA VE BETON BLOK UYGULAMALARINA GÖRE  
AVANTAJLAR

Haftanın her gününde nakliye ve montajda kolaylık ve ekonomis sağlar.

30 kat hacim ve nakliye, 50 kat işçilik avantaj sağlar.

Elle taşıma gerektiğinde, bir kişi tek seferde 30 metre ürün taşıyabilir.

Hava şartlarından etkilenmez ve rahat ve kolay uygulamadır.

Yeraltı hareketlerinden etkilenmez, kırılmaz.

20 kat daha uzun ömürlüdür.

Yeraltı kablo korumasındaki en sürdürülebilir çözümdür.

Darbe dayanımı ve çatlak yayılma direnci yüksektir.

Toprak yapısında bulunan ve aşındırma etkisiyle zararlı maddelerden etkilenmez.

Kimyasal maddelere karşı dirençlidir.

Bitki ve ağaç köklerinden zarar görmez.

Kablonun zarar görmesi olasılığı daha düşük olduğundan, oluşacak zarar ve maliyetler daha düşüktür.

İstenen ölçülerde ve şekilde ürün yüzeyine uyan metni ya zıla bilir veya uyan şeridi çekişebilir, firma logosu kullanılabilir.

İstenen ölçülerde ve renkte uygulama yapılabilir.

Daha belirgin bir uyan sağlar.

Kazara düşmelerde kablo zarar görmez.

Koruma kapağı ile kabloya oturma durumunda kablo zarar görmez.

Sıvı geçirgenliği için ürün üzerinde istenilen büyüklük ve aralıkta delikler açılabilir.

Revizyonlarda sonra da hi tekrar tekrar kullanılabilir.

Birleştirme metodu montaj firesini önler.

BENEFITS OVER CONCRETE CABLE COVERS / TILES / PLATES

Lightweight provides ease and economy in assembly and transportation.

30 times volume and transport, 50 times more labor advantages.

One person can carry as many as 30 meters plastic covers at any one time by hand.

Easy to install irrespective of weather conditions.

Do not get affected from underground movements and not breakable.

20 times longer life.

Offers the most sustainable solution.

High impact resistance and crack-spreading resistance.

Does not get affected from harmful substances contained in the earth structure and having corrosive effects.

Resistant against chemical substances.

Resistant to plant and tree roots.

Damage to cables less likely therefore reducing the cost of repairs and supply disruption.

Contains bold warning text and company logo for clear identification.

Can be custom made with sizes and colours to suit.

Gives the clearest warning to third parties.

Accidental dropping would not damage cables.

No damage to cables if they settle onto the cable owing to sand being washed away.

Customised punch holes can be applied on product for the liquid permeability.

Can be used repeatedly after revisions.

Due to linking method, no montage loss.

YERALTI KABLO KAPAKLARI  
UNDERGROUND CABLE COVER



Kablo Koruma Kapağı / A + BOARD

Underground Cable Cover / A + BOARD

Diğer Avantajlar / Other Benefits

1 m uygulama için gerekli ürün ağırlığı  
1 meter installation product weight

1 işçinin taşıyabileceği maksimum uzunluk  
1 worker's maximum carrying capacity

1 palet ürün ağırlığı  
1 pallet product weight

1 palet ürün uygulama uzunluğu  
1 pallet product installation

1000 m uygulama için gerekli stok hacmi  
1000 m installation storage volume

1 birim taşıyabileceği maksimum uzunluk  
1 truck's maximum carrying capacity

Nakliye ve stok fiyansı  
Shipping and storage outlay

Tuğla - Beton Uygulamalar  
Concrete Cable Covers / Tiles / Piliates

A + Board

1 m uygulama için gerekli ürün ağırlığı 1 meter installation product weight	12,5 kg	1 kg
1 işçinin taşıyabileceği maksimum uzunluk 1 worker's maximum carrying capacity	1 m	25 m
1 palet ürün ağırlığı 1 pallet product weight	1 Ton	1 Ton
1 palet ürün uygulama uzunluğu 1 pallet product installation	80 m	1200 m
1000 m uygulama için gerekli stok hacmi 1000 m installation storage volume	24 m <sup>3</sup>	0,77 m <sup>3</sup>
1 birim taşıyabileceği maksimum uzunluk 1 truck's maximum carrying capacity	1600 m	24000 m
Nakliye ve stok fiyansı Shipping and storage outlay	20%	0,1%



1 METRE TUĞLA - BETON UYGULAMA : 12,5 kg

1 METER BRICK - STONE INSTALLATION : 12,5 kg

1 METRE A + BOARD UYGULAMA : 1 kg

1 METER A + BOARD INSTALLATION : 1 kg



Plastik Kablo Bağları

Plastic Cable Ties

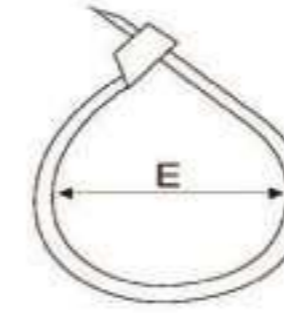
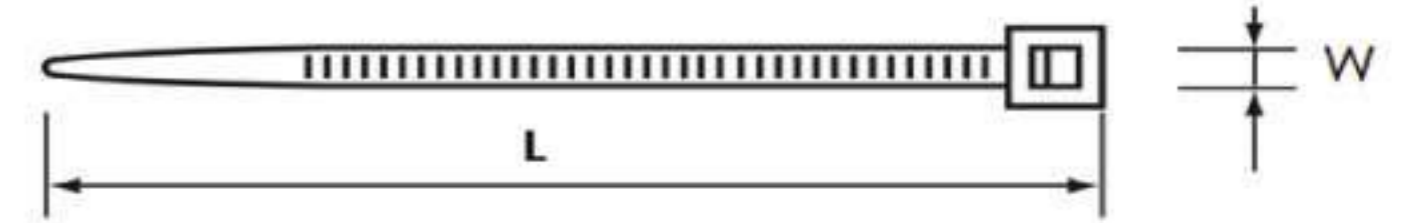


GENEL ÖZELLİKLER

Hammadde	Polyamid PA6.6
Renk	RAL 9010 ve 9005
Çalışma Sıcaklığı	-40°C / +85°C
Yangın Dayanımı	V2
Aşınma Dayanımı	
Yağlar, bazılar, klorlu çözücülere karşı dayanıklı	
Kolay uygulama	

GENEL SPECIFICATIONS

Raw Material	Polyamid PA6.6
Color	RAL 9010 and 9005
Operating Temperature	-40°C / +85°C
Fire Resistance	V2
Corrosion Resistant	
Resistant to oils, bases, greases, oil products, chlorinated solvents	
Easy apply	



Bel. Kodu Code	W (mm)	H (mm)	Kesme Akabinin Temale S. (kg)	MAX. Bağlama / Bandır (mm) ±	Kaynak Tipi Tail Type	Ambarlık Miktarı Pcs / Pallet	Koli Adedi Pcs / Box	Koli Ağırlığı (kg) Box Weight	Koli Hacmi (m <sup>3</sup> ) Box Volume	
FTKB25100	2,5	100	12	2	24	Eğik	1000	80000	23	0,096
FTKB25140	2,5	140	12	2	40	Eğik	100	50000	24	0,096
FTKB25200	2,5	200	12	2	55	Eğik	100	35000	24	0,096
FTKB36100	3,6	100	18	3	24	Eğik	250	60000	33	0,096
FTKB36150	3,6	150	18	3	40	Eğik	100	30000	24	0,096
FTKB36205	3,6	205	18	3	55	Eğik	100	25000	30	0,096
FTKB36250	3,6	250	18	3	68	Eğik	100	22500	29	0,096
FTKB362300	3,6	300	18	3	80	Eğik	100	17500	29	0,096
FTKB36370	3,6	370	18	3	102	Düz	100	16000	35	0,096
FTKB48200	4,8	200	25	3	46	Eğik	100	17000	28	0,096
FTKB48250	4,8	250	25	3	55	Eğik	100	15000	30	0,096
FTKB48300	4,8	300	25	3	82	Düz	100	15000	28	0,096
FTKB48350	4,8	350	25	3	96	Düz	100	12000	28	0,096
FTKB48400	4,8	400	25	3	110	Düz	100	10000	31	0,096
FTKB80250	8,0	250	55	3	62	Düz	100	8000	30	0,096
FTKB80300	8,0	300	55	3	82	Düz	100	6000	29	0,096
FTKB80380	8,0	380	55	3	110	Düz	100	6000	31	0,096
FTKB80450	8,0	450	55	3	133	Düz	100	4500	36	0,096
FTKB80550	8,0	550	55	3	166	Düz	100	4000	37	0,096
FTKB80750	8,0	750	55	3	235	Düz	100	2000	26	0,071
FTKB90762	9,0	762	80	4	250	Düz	100	1500	26	0,071
FTKB90940	9,0	940	80	4	342	Düz	100	1500	26	0,088



**KABLO BAĞLARI**  
CABLE TIES

**Plastik Kablo Bağları**

Plastic Cable Ties

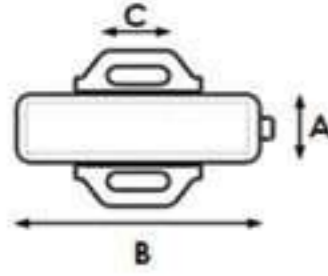


GENEL ÖZELLİKLER

Ham madde	Polipropilen
Renk	Şeffaf
Çalışma Sıcaklığı	0°C / +90°C
Aşınma Dayanımı	
Yağlar, bazlar, klorlu çözücülere karşı dayanıklı	
Kolay uygulama	

GENERAL SPECIFICATIONS

Raw Material	Polypropylene
Color	Transparent
Operating Temperature	°C / +90°C
Corrosion Resistant	
Resistant to oils, bases, greases, oil products, chlorinated solvents	
Easy apply	



Ref. Kodu Code	A (mm)	B (mm)	C (mm)	Etiket En (mm) Label Width	Etiket Boy (mm) Label Height	Ambalaj Miktarı Pcs / Pack	Koli Adedi Pcs / Box	Koli Hacmi (m <sup>3</sup> ) Box Volume	Koli Ağırlık (kg) Box Weight
FTBE13510	10	35	8	32	7	100	12500	0,144	14
FTBE14520	20	45	8	42	17	100	6000	0,144	17

**Yapışkan Kroşeler**

2-Way Adhesive Base

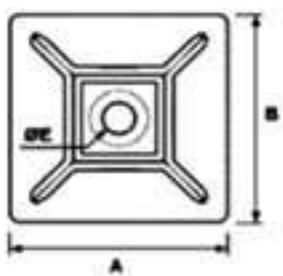
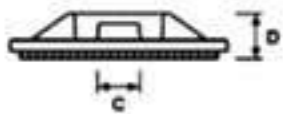


GENEL ÖZELLİKLER

Ham madde	Polyamid PA6.6
Renk	RAL 9010 ve 9005
Çalışma Sıcaklığı	-40°C / +60°C
Yangın Dayanımı	V2
Aşınma Dayanımı	
Kolay uygulama ve yapışma, ayrıca vidalanabilme	

GENERAL SPECIFICATIONS

Raw Material	Polyamid PA6.6
Color	RAL 9010 and 9005
Operating Temperature	-40°C / +60°C
Fire Resistance	V2
Corrosion Resistant	
Easy apply and clip on, screw option	



Ref. Kodu Code	A (mm)	B (mm)	C (mm)	D (mm)	E (mm)	Ambalaj Miktarı Pcs / Pack	Koli Adedi Pcs / Box	Koli Hacmi (m <sup>3</sup> ) Box Volume	Koli Ağırlık (kg) Box Weight
FTYK12020	20	20	4,3	5,2	3,2	100	25000	0,144	25
FTYK12020	20	20	4,3	5,2	3,2	100	25000	0,144	25
FTYK22828	28	28	5,2	6,2	4,3	100	12500	0,144	23
FTYK22828	28	28	5,2	6,2	4,3	100	12500	0,144	23

**SUSTALAR**  
FISH TAPE

**PVC İzole Kaplı Çelik Susta**

PVC Coated Steel Fish Tape



GENEL ÖZELLİKLER

Ham madde	P6 Polimer
Çalışma sıcaklığı	-30 / +70 C°
Çekme Kuvveti	150 kg
Çap	3,40 mm
Uzun ömürlü	

GENERAL SPECIFICATIONS

Raw material	P6 Polymer
Operating temperature	-30 / +70 C°
tensile strength	150 kg
Diameter	3,40 mm
Long lasting	

Ölçü (m) Size	Ref. Kodu Code	Ambalajlı Adet Quantity/Pack (Pcs)	Hacim Volume (m <sup>3</sup> )	Ağırlık Weight (kg)
10	SFT100010	35	0,1	5,075
15	SFT100015	30	0,1	6,275
20	SFT100020	25	0,1	7,025
25	SFT100025	20	0,1	6,975

**1. Tip Profesyonel Susta**

Type 1 Professional Fish Tape



GENEL ÖZELLİKLER

Ham madde	P6 Polimer
Çalışma sıcaklığı	-30 / +70 C°
Çekme Kuvveti	150 kg
Çap	3,70 mm
Uzun ömürlü	

GENERAL SPECIFICATIONS

Raw material	P6 Polymer
Operating temperature	-30 / +70 C°
tensile strength	150 kg
Diameter	3,70 mm
Long lasting	

Ölçü (m) Size	Ref. Kodu Code	Ambalajlı Adet Quantity/Pack (Pcs)	Hacim Volume (m <sup>3</sup> )	Ağırlık Weight (kg)
10	FTSFT100010	35	0,1	6,575
15	FTSFT100015	30	0,1	8,075
20	FTSFT100020	25	0,1	9,275
25	FTSFT100025	20	0,1	9,075

**2. Tip Profesyonel Susta**

Type 2 Professional Fish Tape



GENEL ÖZELLİKLER

Ham madde	P6 Polimer
Çalışma sıcaklığı	-30 / +70 C°
Çekme Kuvveti	150 kg
Çap	4 mm
Uzun ömürlü	

GENERAL SPECIFICATIONS

Raw material	P6 Polymer
Operating temperature	-30 / +70 C°
tensile strength	150 kg
Diameter	4 mm
Long lasting	

Ölçü (m) Size	Ref. Kodu Code	Ambalajlı Adet Quantity/Pack (Pcs)	Hacim Volume (m <sup>3</sup> )	Ağırlık Weight (kg)
10	FTSFT100010	35	0,1	7,275
15	FTSFT100015	30	0,1	9,275
20	FTSFT100020	25	0,1	10,275
25	FTSFT100025	20	0,1	10,275

ASPIRATÖRLER  
FANS

Dekoratif Plastik Aspiratörler  
Decorative Plastic Fans



GENEL ÖZELLİKLER

Ham madde	HB ABS HALOGEN FREE
Renk	RAL 7035
Çalışma Sıcaklığı	+1°C / +50°C
Koruma Sınıfı	IP34
Besleme	230 V / 50 Hz
Topraklama Sınıfı	Sınıf II

GENERAL SPECIFICATIONS

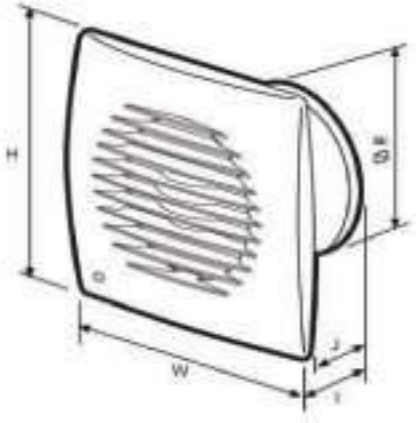
Raw Material	HB ABS HALOGEN FREE
Color	RAL 7035
Operating Temperature	+1°C / +50°C
Protection Class	IP34
Supply	230 V / 50 Hz
Insulating Class	Class II

EK ÖZELLİKLER

Tavan ve duvar kullanımına uygundur  
Kolay bakım ve temizlik  
Kolay montaj

ADDITIONAL SPECIFICATIONS

Suitable for ceiling and wall  
Easy maintenance  
Easy installation



Ölçü Size	Güç (W) Power	Gerilim (V) Voltage	Debi (m³/h) Air Flow	Ambalajlı Miktar Quantity/Pack (m)	Koli Hacmi (m³) Box Volume	Koli Ağırlık Box Weight (kg)
100 mm	120	300	200	1	0,002	0,47
120 mm	130	320	210	1	0,003	0,60
150 mm	170	300	250	1	0,006	0,83

ÖLÇÜLER - DIMENSIONS

Ref. Kodu Code	R (mm)	W (mm)	H (mm)	I (mm)	J (mm)
100 mm FTBF1000100	100	157	157	72	20
120 mm FTBF1000120	120	188	186	82,5	20
150 mm FTBF1000150	150	215	22	97	30

UYGULAMA ALANLARI

Toilet  
Banyo  
Ofis  
Havalandırma gerektiren küçük alanlar

APPLICATIONS

Toilets  
Bathrooms  
Offices  
Small rooms requiring ventilation



KLEMENSLER  
TERMINAL BLOCKS

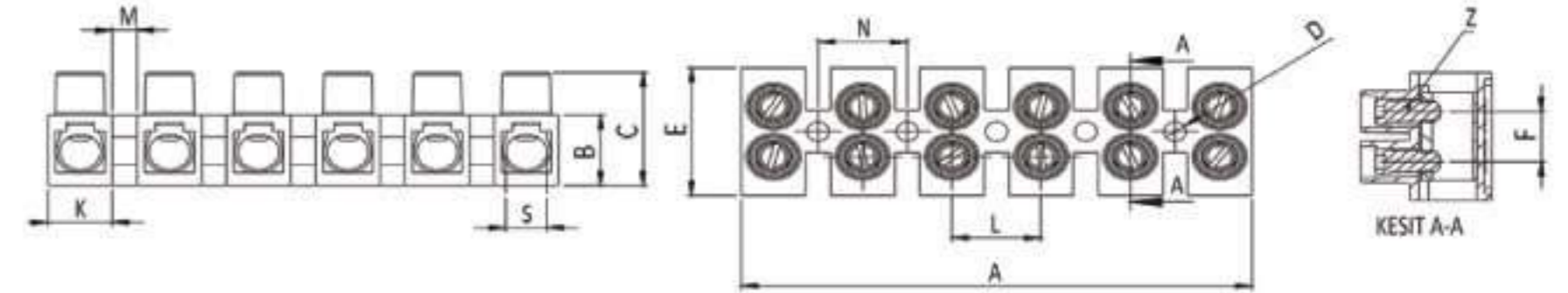
Plastik Sıra Klemensler  
Plastic Terminal Strips

GENEL ÖZELLİKLER

Ham madde	Polyamid, Polkarbonat, Polieten
İç Bara	Nikel kaplı pirinç
Kalite Standartı	EN 60998-2-1, EN 60670-24
Çalışma Sıcaklığı	-20°C / +100°C
Akım Kapasitesi	24 A - 101 A
Gerilim	400 V / 500 V
Yangın Dayanımı	V0
Kablo Soyma Boyu	10 mm

GENERAL SPECIFICATIONS

Raw Material	Polyamide, Polycarbonate, Polyethylene
Insert	Nickel plated brass
Quality Standart	EN 60998-2-1, EN 60670-24
Operating Temperature	-20°C / +100°C
Current Rating	24 A - 101 A
Voltage Rating	400 V / 500 V
Fire Resistance	V0
Stripping length	10 mm



Ölçü Size	Kod Code	A mm	B mm	C mm	D mm	E mm	F mm	K mm	L mm	M mm	N mm	S mm	Z mm
1	FTTB1001000	117,5	10	17,5	3,5	19,5	7,6	6,5	10	3,5	10	4,5	M3
2	FTTB1002000	135	10,5	18,7	4	21,3	8,6	7,7	11,6	4	11,6	5,5	M3,5
3	FTTB1003000	142	12,5	21,5	4	22	10,2	10	14,5	4,5	14,7	7	M4
4	FTTB1004000	97,5	15,2	25	5	30	11,5	11,85	16,85	5	14,85	9	M5
5	FTTB1005000	103,5	16,7	26,7	5	30	11,8	13	18	5	18,0	10	M5

Ölçü Size	Type mm	Number of Ways	Kutu İç Miktar Quantity/Box (pcs)	Koli İç Miktar Quantity/Pack (pcs)	Hacim (m³) Volume (m³)	Ağırlık Weight (kg)
1	2,5 - 4	12	50	1000	0,050	31,1
2	4 - 6	12	50	800	0,055	39,7
3	6 - 10	10	50	600	0,055	40,6
4	10 - 16	6	50	600	0,052	35,3
5	16 - 25	6	50	500	0,072	43,6



Eko seçeneği mevcuttur.  
Eco option is available.

PLASTİK KABLO RAKORLARI  
PLASTIC CABLE GLANDS

PLASTİK KABLO RAKORLARI  
PLASTIC CABLE GLANDS

PG Tip Standart Kablo Rakorları

Plastic PG Type Cable Glands

PG Tip Standart Kablo Rakorları

Plastic PG Type Cable Glands



GENEL ÖZELLİKLER

Malzeme	Polyamid PA6 V2
Bağlantı Dışı	PG (DIN 40430)
Koruma Sınıfı	IP68 5 Bar
Çalışma sıcaklığı	-30°C / +80°C
Kısa süreli	-30°C / +150°C
Renk	Açık Gri (RAL 7035), Gri (RAL 7001), Siyah (RAL 9005)

EK ÖZELLİKLER

Spiral başlığı ile bükümlere karşı kablo koruma
Esnek kablo hareketi
Titreşim dayanımı
UV dayanımı
Kolay uygulama
Halogen Free

GENERAL SPECIFICATIONS

Material	Polyamide PA6 V2
Connection Thread	PG (DIN 40430)
Protection Class	IP68 5 Bar
Operating Temperature	-30°C / +80°C
Short Term	-30°C / +150°C
Color	Light Grey (RAL 7035), Grey (RAL 7001), Black (RAL 9005)

ADDITIONAL SPECIFICATIONS

With spiral top for bend protection
For highly movable flexible cables
Anti-vibration protection
UV resistance
Easy to assemble
Halogen Free



GENEL ÖZELLİKLER

Malzeme	Polyamid PA6 V2
Bağlantı Dışı	Metric (DIN 60425)
Koruma Sınıfı	IP68 5 Bar
Çalışma sıcaklığı	-30°C / +80°C
Kısa süreli	-30°C / +150°C
Renk	Açık Gri (RAL 7035), Gri (RAL 7001), Siyah (RAL 9005)

EK ÖZELLİKLER

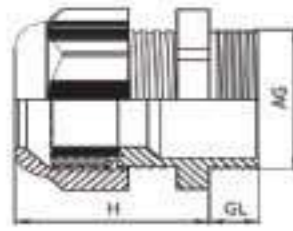
Spiral başlığı ile bükümlere karşı kablo koruma
Esnek kablo hareketi
Titreşim dayanımı
UV dayanımı
Kolay uygulama
Halogen Free

GENERAL SPECIFICATIONS

Material	Polyamide PA6 V2
Connection Thread	Metric (DIN 60425)
Protection Class	IP68 5 Bar
Operating Temperature	-30°C / +80°C
Short Term	-30°C / +150°C
Color	Light Grey (RAL 7035), Grey (RAL 7001), Black (RAL 9005)

ADDITIONAL SPECIFICATIONS

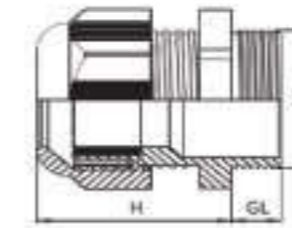
With spiral top for bend protection
For highly movable flexible cables
Anti-vibration protection
UV resistance
Easy to assemble
Halogen Free



Dış Çi / AG Thread	Gri Kod / Gray Code	Açık Gri Kod / L-Gray Code	Siyah Kod / Black Code	H (mm)	GL (mm)	Montaj Çapı / Mounting D. (mm)	Kablo Çapı / Cable D. (mm)
PG 7	FTORG 01	DRL01	ORB 01	24	8	15	3-6,5
PG 9	FTORG 02	DRL02	ORB 02	28	8	19	4-8
PG 11	FTORG 03	DRL03	ORB 03	29	8	22	5-10
PG 13,5	FTORG 04RS	DRL04RS	ORB 04RS	29	9	24	4-10
PG 13,5	FTORG 04	DRL04	ORB 04	29	9	24	6-12
PG 16	FTORG 05	DRL05	ORB 05	33	9	27	10-14
PG 21	FTORG 06	DRL06	ORB 06	38	11	33	13-18
PG 29	FTORG 07	DRL07	ORB 07	41	11	42	18-25
PG 36	FTORG 08	DRL08	ORB 08	51	13	53	22-32
PG 42	FTORG 09	DRL09	ORB 09	53	13	60	30-38
PG 48	FTORG 10	DRL10	ORB 10	55	14	65	34-44

UZUN TIP

Dış Çi / AG Thread	Gri Kod / Gray Code	Açık Gri Kod / L-Gray Code	Siyah Kod / Black Code	H (mm)	GL (mm)	Montaj Çapı / Mounting D. (mm)	Kablo Çapı / Cable D. (mm)
PG 7	FTORGL 01	ORLL01	ORBL 01	24	15	15	3-6,5
PG 9	FTORGL 02	ORLL02	ORBL 02	28	15	19	4-8
PG 11	FTORGL 03	ORLL03	ORBL 03	29	11	22	5-10
PG 13,5	FTORGL 04RS	ORLL04RS	ORBL 04RS	29	15	24	4-10
PG 13,5	FTORGL 04	ORLL04	ORBL 04	29	15	24	6-12
PG 16	FTORGL 05	ORLL05	ORBL 05	33	15	27	10-14
PG 21	FTORGL 06	ORLL06	ORBL 06	38	15	33	13-18



Dış Çi / AG Thread	Gri Kod / Gray Code	Açık Gri Kod / L-Gray Code	Siyah Kod / Black Code	H (mm)	GL (mm)	Montaj Çapı / Mounting D. (mm)	Kablo Çapı / Cable D. (mm)
PG 7	FTOMRG 01	OMRL01	OMRB 01	24	8	15	3-6,5
PG 9	FTOMRG 02	OMRL02	OMRB 02	28	8	19	4-8
PG 11	FTOMRG 03	OMRL03	OMRB 03	29	10	22	5-10
PG 13,5	FTOMRG 04RS	OMRL04RS	OMRB 04RS	29	10	24	4-10
PG 13,5	FTOMRG 04	OMRL04	OMRB 04	29	10	24	6-12
PG 16	FTOMRG 05	OMRL05	OMRB 05	33	10	27	10-14
PG 21	FTOMRG 06	OMRL06	OMRB 06	38	10	33	13-18
PG 29	FTOMRG 07	OMRL07	OMRB 07	41	10	42	18-25
PG 36	FTOMRG 08	OMRL08	OMRB 08	51	10	53	22-32
PG 42	FTOMRG 09	OMRL09	OMRB 09	53	18	60	30-38
PG 48	FTOMRG 10	OMRL10	OMRB 10	55	18	70	34-44

UZUN TIP

Dış Çi / AG Thread	Gri Kod / Gray Code	Açık Gri Kod / L-Gray Code	Siyah Kod / Black Code	H (mm)	GL (mm)	Montaj Çapı / Mounting D. (mm)	Kablo Çapı / Cable D. (mm)
PG 7	FTORGL 01	ORLL01	ORBL 01	24	15	15	3-6,5
PG 9	FTORGL 02	ORLL02	ORBL 02	28	15	19	4-8
PG 11	FTORGL 03	ORLL03	ORBL 03	29	11	22	5-10
PG 13,5	FTORGL 04RS	ORLL04RS	ORBL 04RS	29	15	24	4-10
PG 13,5	FTORGL 04	ORLL04	ORBL 04	29	15	24	6-12
PG 16	FTORGL 05	ORLL05	ORBL 05	33	15	27	10-14
PG 21	FTORGL 06	ORLL06	ORBL 06	38	15	33	13-18

GENEL BİLGİ  
GENERAL INFORMATION

IP Bilgisi

IP Info

IP 4 0

1. Rakam

Katı cisimlere karşı koruma derecesi

2. Rakam

Suya karşı koruma derecesi

IP 0X

Koruma sız

IP X0

Koruma sız

IP 1X



Çap  $\geq 50$  mm olan katı cisimlere karşı koruma

IP X1



Düşey su damlalarına karşı koruma

IP 2X



Çap  $\geq 12,5$  mm olan katı cisimlere karşı koruma

IP X2



15° ye kadar eğik olarak düşen su damlalarına karşı koruma

IP 3X



Çap  $\geq 2,5$  mm olan katı cisimlere karşı koruma

IP X3



60° ye kadar eğik olarak düşen su damlalarına karşı koruma

IP 4X



Çap  $\geq 1$  mm olan katı cisimlere karşı koruma

IP X4



Sıçrayan suya karşı koruma

IP 5X



Toza karşı korumalı

IP X5



Fıskıra suya karşı koruma

IP 6X



Toz geçirmez

IP X6



Güçlü su fışkırmalarına (su jeti) karşı koruma

IP X7



Suya da ırmının etkilerine karşı koruma

IP X8



Suya batırmanın etkilerine karşı koruma

GENEL BİLGİLER  
GENERAL INFORMATION

GENEL BİLGİ  
GENERAL INFORMATION

IP Bilgisi

IP Info

IP 4 0

1st Digit  
Protection against ingress of solid objects

<b>IP 0X</b>	No protection
<b>IP 1X</b>	Protection from a large part of the body such as a hand. From solid objects greater than 50mm in diameter.
<b>IP 2X</b>	Protection against fingers or other object not greater than 80mm in length and 12mm in diameter.
<b>IP 3X</b>	Protection from entry by tools, wires etc, with a diameter of 2.5 mm or more.
<b>IP 4X</b>	Protection against solid bodies larger than 1mm (eg fine tools/small etc).
<b>IP 5X</b>	Protected against dust that may harm equipment.
<b>IP 6X</b>	Totally dust tight.

2nd Digit  
Protection against ingress of water

<b>IP X0</b>	No protection
<b>IP X1</b>	Protection against condensation
<b>IP X2</b>	Protection against water droplets deflected up to 15° from vertical
<b>IP X3</b>	Protected against spray up to 60° from vertical
<b>IP X4</b>	Protected against water spray from all directions
<b>IP X5</b>	Protection against low pressure water jets (all directions)
<b>IP X6</b>	Protection against strong water jets and waves
<b>IP X7</b>	Protected against temporary immersion
<b>IP X8</b>	Protected against prolonged effects of immersion under pressure

GENEL BİLGİ  
GENERAL INFORMATION

Termoplastik Malzemelerin Teknik Özellikleri

Technical Plastics Materials

	PVC Polyvinyl Chloride	ABS Acrylonitrile Butadiene Styrene	PC Poly carbonate	EPS Polystyrene	GRP Glass Reinforced Polyester	PA Polyamid	PE Polyethylene
Uzun Va de li Ç a lış m a Sıc a klığı	-25°C / +65°C	-45°C / +85°C	-100°C / +140°C	-40°C / +70°C	-40°C / +120°C	-30°C / +100°C	-50°C / +95°C
UV Daya nımı	İyi	Zayıf	Zayıf	Zayıf	Yeterli	Zayıf	Zayıf
Sertlik	Çok İyi	Orta	Orta	Çok İyi	Çok İyi	İyi	Orta
Da rbe Daya nımı	İyi	Çok İyi	Çok İyi	Zayıf	İyi	Çok İyi	Mükemmel
Alkollere Ka rşı aya nım	Mükemmel	Zayıf	İyi	Yeterli	Mükemmel	Zayıf	İyi
Solven tlere Ka rşı Daya nım	İyi	İyi	İyi	Zayıf	Mükemmel	İyi	İyi
Ya ğ la ra Ka rşı Daya nım	İyi	Mükemmel	Orta	Zayıf	Mükemmel	Mükemmel	İyi
Asitlere Ka rşı Daya nım	İyi	Mükemmel	İyi	Yeterli	Mükemmel	Zayıf	İyi
Yüksek Sıc a klıla ra Ka rşı Daya nım	İyi	Zayıf	Orta - İyi	Zayıf	İyi	Zayıf	Zayıf
Ya nma zlık Dere c elend irmesi	V0	HB	V0 - V2	HB	V0 - V2	V2	HB
Ha lojen siz	Hay ır	Evet	Evet	Evet	Evet	Evet	Evet

GENEL BİLGİ  
GENERAL INFORMATION

Termoplastik Malzemelerin Teknik Özellikleri

Technical Plastics Materials

	PVC Polyvinyl Chloride	ABS Acrylonitrile Butadiene Styrene	PC Poly carbonate	EPS Polystyrene	GRP Glass Reinforced Polyester	PA Polyamid	PE Polyethylene
Long Term Operating Temperature	-25°C / +65°C	-45°C / +85°C	-100°C / +140°C	-40°C / +70°C	-40°C / +120°C	-30°C / +100°C	-50°C / +95°C
UV Resistance	Good	Poor	Poor	Poor	Fair	Poor	Poor
Rigidity	High	Moderate	Moderate	High	High	Good	Moderate
Impact Resistance	Good	High	High	Poor	Good	High	Excellent
Alcohol Resistance	Excellent	Poor	Good	Fair	Excellent	Poor	Good
Solvent Resistance	Good	Good	Good	Poor	Excellent	Good	Good
Oil Resistance	Good	Excellent	Moderate	Poor	Excellent	Excellent	Good
Acid Resistance	Good	Excellent	Good	Fair	Excellent	Poor	Good
High Temperature Strengths	Good	Poor	Medium - High	Poor	Good	Poor	Poor
Flammability Rating	V0	HB	V0 - V2	HB	V0 - V2	V2	HB
Halogen Free	No	Yes	Yes	Yes	Yes	Yes	Yes

GENEL BİLGİ  
GENERAL INFORMATION

Avrupa Normları

European Norms

EN 50085-2-1

Bu standard, elektriksel ve/veya haberleşme sistem tesisatlarında ki yalıtılmış iletkenlerin, kabloların ve mümkün olabilen diğer elektriksel cihazların tesis edilmesi ve gerekli olduğu durumda elektriksel koruma nedeniyle ayrılması için amaçlanmış donanımlı kablo kanalı sistemleri (CTS) ve kablo kanal sistemleri (CDS) için olan özellikleri ve deneyleri kapsar.

EN 50085-2-3

Bu standard, elektriksel ve/veya haberleşme sistem tesisatlarında ki yalıtılmış iletkenlerin, kabloların ve mümkün olabilen diğer elektriksel teçhizatın tesis edilmesi ve gerekli olduğu durumda elektriksel koruma nedeniyle ayrılması için amaçlanmış donanımlı kablo kanalı sistemleri (CTS) ve kablo kanal sistemleri (CDS) için olan özellikleri ve deneyleri kapsar.

EN 60670-1

Bu standard, ev ve benzeri yerlerde ki sabit elektrik tesisatlarında, bina içinde veya bina dışında kullanılması amaçlanan, beyan gerilimi 1000 V a.a. ve 1500 V d.a.'yı aşmayan elektriksel amaçlı yardımcı donanımlar için kullanılan, kutuları, mahfazaları ve mahfazaların bölümlerini kapsar.

EN 60670-24

Bu standard, ev ve benzeri yerlerde ki sabit elektrik tesisatlarında, 400 V'u aşmayan beyan gerilimi ve 125 A'ı aşmayan toplam giriş yük akımı ile kullanılması amaçlanan koruyucu düzenler ve diğer güç dağıtan elektriksel donanım için olan mahfazaları ve bunların bölümlerini kapsar.

EN 50085-2-1

This standard specifies requirements and tests for cable trunking systems (CTS) and cable ducting systems (CDS) intended for the accommodation, and where necessary for the electrically protective separation, of insulated conductors, cables and possibly other electrical equipment in electrical and/or communication systems installations.

EN 50085-2-3

This standard specifies requirements and tests for cable trunking systems (CTS) and cable ducting systems (CDS) intended for the accommodation, and where necessary for the electrically protective separation, of insulated conductors, cables and possibly other electrical equipment in electrical and/or communication systems installations.

EN 60670-1

This standard applies to boxes, enclosures and parts of enclosures for electrical accessories with a rated voltage not exceeding 1000 V a.c. and 1500 V d.c. intended for household or similar fixed electrical installations, either indoors or outdoors.

EN 60670-24

This part of IEC 60670 applies to enclosures and parts of them for housing protective devices and other power dissipating electrical equipment intended to be used with a rated voltage not exceeding 400 V and a total incoming load current not exceeding 125 A for household and similar fixed electrical installations.

GENEL BİLGİ  
GENERAL INFORMATION

Avrupa Normları

European Norms

EN 61386-21  
Bu standard, rijit boru sistemleri için özellikleri kapsar.

EN 61386-22  
Bu standard, esnek boru sistemleri için özellikleri kapsar.

EN 61386-24  
Bu standard, kablo tesisi için yeraltında gömülü boru sistemlerini kapsar.

EN 61386-1  
Bu standard, 1000 V a.a. ve/veya 1500 V d.a.'ya kadar olan elektrik tesisleri ve/veya haberleşme sistemlerindeki yalıtılmış iletkenlerin ve/veya kabloların korunması ve tesis edilmesi için borular ve boru ek parçaları da dahil olmak üzere boru sistemleri ile ilgili özellikleri ve deneyleri kapsar

ISO 9001:2015  
Bu Standard aşağıdaki durumlarda, bir kuruluşun kalite yönetim sisteminin karşılaması gerekli şartları kapsar: a) Müşteri ve uygulanabilir birincil ve ikincil mevzuat şartlarını karşılayan ürünü, düzenli olarak sağlama yeteneğini göstermeye ihtiyaç duyduğunda, b) Sistemin sürekli iyileştirilmesi ve müşteri ve uygulanabilir birincil ve ikincil mevzuat şartlarına uygunluk güvencesi için gereken prosesler dahil sistemi etkin olarak uygulayarak müşteri memnuniyetini artırmayı amaçladığında.

EN 61386-21  
This standard specifies the requirements for rigid conduit systems.

EN 61386-22  
This standard specifies the requirements for pliable conduit systems.

EN 61386-24  
This standard specifies the requirements for pliable conduit systems.

EN 61386-1  
This Standard specifies requirements and tests for conduit systems, including conduits and conduit fittings, for the protection and management of insulated conductors and/or cables in electrical installations or in communication systems up to 1 000 V a.c. and/or 1 500 V d.c. This standard applies to metallic, non-metallic and composite conduit systems, including threaded and non-threaded entries which terminate the system.

ISO 9001:2015  
This International Standard specifies requirements for a quality management system where an organization a) needs to demonstrate its ability to consistently provide product that meets customer and applicable statutory and regulatory requirements, and b) aims to enhance customer satisfaction through the effective application of the system, including processes for continual improvement of the system and the assurance of conformity to customer and applicable statutory and regulatory requirements.

GENEL BİLGİ  
GENERAL INFORMATION

Direktifler

Directives

Tehlikeli Maddelerin Kısıtlanması Direktifi 2011/65/EU (RoHS)

RoHS, elektrik ve elektronik cihazlarda bazı tehlikeli maddelerin kullanımının kısıtlanmasına ilişkin direktiftir. İngilizce Restriction of Hazardous Substances Directive (Belirli Zararlı Maddelerin Kullanımını Kısıtlama) ifadesinin baş harflerinden oluşur. 2002/95/EC sayılı RoHS 1 Direktifi Şubat 2003'te Avrupa Birliği tarafından kabul edilmiş ve 1 Temmuz 2006'da yürürlüğe girmiştir. Her üye devlette uygulanması zorunlu bir kanun haline gelmiştir. 1 Temmuz 2011 tarihinde yayımlanan RoHS 2 (2011/65/EU) Direktifi ile elektrik ve elektronik eşyalardaki ağır metaller ve diğer tehlikeli maddelerin daha geniş ürün çeşidi içinde yasaklanmasına ilişkin yeni kurallar getirilmiş, elektronik ürünlerin güvenliğinin artırılması ve tehlikeli maddelerin çevreye salınımının önlenmesi amaçlanmıştır. Eski RoHS Direktifinin yerini alan RoHS 2 Direktifi ile Kurşun(Pb), Civa(Hg), Kadmium(Cd), +6 değerlikli Krom (Cr (VI)) ve alev geciktiricilerden Polibromlu Bifeniller (PBB) ve Polibromlu Difenil Eterlerin (PBDE) kısıtlanması devam etmektedir. RoHS Direktifi'nin ana unsuru, bu yasaklı maddelerden herhangi birini barındıran cihaz ve ürünlerin üye ülkelerde üretim ve satışını önlemektir.

APlus Plastik ve Elektrik olarak ham maddesi PVC ağırlıklı olan ürünlerimiz in 2016 yılından beri RoHS belgesi ile üretimini gerçekleştirmekteyiz.

Restriction of Hazardous Substances Directive 2011/65/EC (RoHS)

The Restriction of Hazardous Substances Directive 2002/95/EC, (RoHS 1), short for Directive on the restriction of the use of certain hazardous substances in electrical and electronic equipment, was adopted in February 2003 by the European Union. It was implemented in a legislation form on the 1st July 2006 by all Member States. The RoHS 2 Directive was published on 1st July 2011 in order to restrict of heavy metals and other hazardous substances in electrical and electronic goods in a broader range of products and to increase the safety of electronic products and to prevent the release of hazardous substances to the environment. With the RoHS 2 directive (2011/65/EU) in place of the RoHS 1 (2002/95/EC), the restriction of Lead(Pb), Mercury(Hg), Cadmium(Cd), Hexavalent Chromium (Cr (VI)), Polybrominated biphenyls (PBB), Polybrominated diphenyls ether (PBDE) continues. The main aspect of RoHS is to prohibit manufactures and distributors of the Member States to produce or sell products/fittings containing of any of that six banned substances.

APlus Plastik ve Elektrik has adopted RoHS Directive since 2016 by using PVC raw materials in all of its products.

GENEL BİLGİ  
GENERAL INFORMATION

**Direktifler**

Directives

Alçak Gerilim Kararnamesi 2014/35/  
EU (LVD)

Alçak Gerilim Direktifi (Low Voltage Directive), alternatif akım için 50 volt - 1000 volt arasında, doğru akım için 75 volt - 1500 volt arasında değişen anma gerilimlerinde kullanılmak üzere tasarılan elektrikli teçhizatları kapsamaktadır. Avrupa Birliği tarafından 1973 yılında kabul edilmiştir. Yönetmeliğin amacı; LVD kapsamına giren elektrikli teçhizatın bu yönetmelikte yer alan emniyet gereklilikleri ve uygunluk değerlendirme prosedürlerini sağladıktan sonra piyasaya arzı için gerekli olan emniyet kuralları ile uygunluk değerlendirme prosedürlerine ilişkin usul ve esasları belirlemektir. Tasarımları bu özelliklere uygun yapılan elektrikli araçlar piyasaya sunulmadan önce gerekli uygunluk testlerinden geçirilir. Uygun bulunmaları durumunda ürünlerin üzerine CE işareti konulabilir ve ürünler ancak bu şekilde Avrupa Birliği ülkelerinde serbest dolaşım hakkına sahip olabilirler. CE etiketi o ürünün Avrupa Birliği ortak pazarlarına uygun olduğunun belgesi olarak kabul edilmektedir. CE, standartlarla desteklenen Yeni Yaklaşım Direktifleri ile sağlanmış olmaktadır. Bu standartlar, ürünlerin kullanımı sırasında can güvenliğinin sağlanması için gerekli minimum koşulları tanımlamaktadır. Dolayısıyla bu koşullara uygun bulunmayan ürünlerin üzerine CE etiketinin konulması yasaktır. Satışını gerçekleştirdiğimiz tüm ürünlerimiz CE etiketlidir.

Low Voltage Directive 2014/35/EU  
(LVD)

LVD is applied to the electrical equipment designed for the use with a voltage rating of between 50 to 1000V for AC 75 to 1500V for DC. It is adopted by the European Union in 1973. The purpose of the regulation is to ensure the safety requirements and the conformity assessment procedures for the electrical equipments included in the scope of LVD and to determine procedures and principles for the market supply. Before releasing the electrical equipment designed according to the specifics, it is passed through the conformity tests. Where appropriate, CE marking may be placed on the product and the electrical equipment approved by any EU member country will be acceptable for use in all other EU countries. CE is provided by New Approach Directives, which are supported by standards. These standards define the minimum requirements for the provision of life safety during the use of the products. Therefore it is prohibited to place a CE label on products which are not in compliance with these conditions. APlus Plastik ve Elektrik has all of its products affixed with the CE marking in the global market.

GENEL BİLGİ  
GENERAL INFORMATION

**Direktifler**

Directives

TS EN ISO 9001:2015 Kalite Yönetim Sistemi

Bu standard ISO 9000'de açıklanan kalite yönetim sistemi prensiplerini esas alır:  
Müşteri odaklılık,  
Liderlik,  
Personelin bağlılığı,  
Proses yaklaşımı,  
İyileştirme,  
Kanıt esaslı karar alma,  
İlişki yönetimi  
Kalite yönetim sistemini uygulamaya karar vermek, kuruluşun genel performansını artırmaya yardım etmesi ve sürdürülebilir kalkınma inisiyatiflerine sağlam bir temel oluşturması bakımından, bir kuruluş açısından stratejik bir karardır.

Şartları düzenli şekilde karşılama ve gelecek ihtiyaç ve beklentilerini belirleme, artarak dinamikleşen ve karmaşık çevrede, kuruluş için bir tehdit oluşturmaktadır. Bu amaca erişmek için kuruluş, doğrulama ve sürekli iyileştirmeye ek olarak büyük değişiklikler, inovasyon ve organizasyon değişikliği gibi farklı şekillerdeki iyileştirmeyi adapte etmeye ihtiyaç duyabilir. TSE, müşteri şartlarını karşılamak sureti ile müşteri memnuniyetini artırmak için kalite yönetim sisteminin oluşturulması, uygulanması ve etkinliğinin iyileştirilmesinde proses yaklaşımının benimsenmesini teşvik eder. Birbiri ile ilişkili prosesleri bir sistem içerisinde anlamak ve yönetmek, kuruluşun amaçlanan sonuçlara erişmek için etkinliği ve verimliliğine katkı sağlar.

TS EN ISO 9001:2015 Quality Management System

This standard is based on the quality management system principles referred in ISO 9000:  
Customer focus  
Leadership  
Personel commitment  
Process approach  
Improvement  
Evidence-based decision making  
Relationship Management  
Deciding to implement a quality management system is a strategic decision for an organization in terms of helping to improve the overall performance of the organization and providing a solid basis for sustainable development initiatives. Meeting the requirements regularly and identifying future needs and expectations poses a threat to the organization in an increasingly pervasive and complex environment. To achieve this goal, organizations may need to adapt different improvements, such as major changes, innovation and organizational change, in addition to validation and continuous improvement. The TSE encourages the adoption of the process approach in improving quality management system formulation, implementation and effectiveness to enhance customer satisfaction by meeting customer requirements. Understanding and managing interrelated processes within a system contributes to the efficiency and productivity of the organization in achieving the intended outcomes.

GENEL BİLGİ  
GENERAL INFORMATION

**Direktifler**

Directives

TSE (Türk Standardlarına Uygunluk Belgesi)

TSE; ülkemizde standardı meydana getiren hususlarda, üretime yeterlilik belgesi almaya hak kazanmış kuruluşların söz konusu mamullerinin, alakalı Türk Standartlarına uygunluğunu gösteren ve yapılan anlaşma ile TSE markasının faaliyet hakkı verilerek şirket adına oluşturulan, üzerinde TSE amblemini kullanacak mamullerin ticari markasını, sınıfını, cinsini, türünü ve tipini belirten, geçerlilik süresi bir sene ile sınırlı olan belgedir.

APlus Plastik ve Elektrik olarak üretimini gerçekleştirdiğimiz kablo kanallarımız TSE belgelidir.

**TSE (Certificate of Conformity to Turkish Standards)**

TSE; indicates the conformity of the products manufactured by the organizations which are entitled to receive the certificate of production sufficiency to the relevant Turkish Standards. With the certificate, the organizations have the right of the brand activity. It indicates the trademark, class, genus, type of the products which will use the TSE logo. The validity period is limited to one year.

Our cable trunkings, have been TSE certified since 29/03/2016.

GENEL BİLGİ  
GENERAL INFORMATION

**Direktifler**

Directives

UL94 V-0, V-1, V-2 FLAMMABILITY STANDARD

Requirements for V-0

The specimens may not burn with flaming combustion for more than 10 seconds after either application of the test flame.

The total flaming combustion time may not exceed 50 seconds for the 10 flame applications for each set of 5 specimens.

The specimens may not burn with flaming or glowing combustion up to the holding clamp.

The specimens may not drip flaming particles that ignite the dry absorbent surgical cotton located 300 mm below the test specimen.

The specimens may not have glowing combustion that persists for more than 30 seconds after the second removal of the test flame.

Requirements for V-1

The specimens may not burn with flaming combustion for more than 30 seconds after either application of the test flame.

The total flaming combustion time may not exceed 250 seconds for the 10 flame applications for each set of 5 specimens.

The specimens may not burn with flaming or glowing combustion up to the holding clamp.

The specimens may not drip flaming particles that ignite the dry absorbent surgical cotton located 300 mm below the test specimen.

The specimens may not have glowing combustion that persists for more than 60 seconds after the second removal of the test flame.

Requirements for V-2

The specimens may not burn with flaming combustion for more than 30 seconds after either application of the test flame.

The total flaming combustion time may not exceed 250 seconds for the 10 flame applications for each set of 5 specimens.

The specimens may not burn with flaming or glowing combustion up to the holding clamp.

The specimens can drip flaming particles that ignite the dry absorbent surgical cotton located 300 mm below the test specimen.

The specimens may not have glowing combustion that persists for more than 60 seconds after the second removal of the test flame.

GENEL BİLGİ  
GENERAL INFORMATION

**Direktifler**

Directives

PVC MATERIAL SPECIFICATIONS

Physical Properties

PVC has an amorphous structure with polar chlorine atoms in the molecular structure. Having chlorine atoms and the amorphous molecular structure are inseparably related. Although plastics seem very similar in the context of daily use, PVC has completely different features in terms of performance and functions compared with olefin plastics which have only carbon and hydrogen atoms in their molecular structures. Chemical stability is a common feature among substances containing halogens such as chlorine and fluorine. This applies to PVC resins, which furthermore possess fire retarding properties, durability, and oil/chemical resistance.

Fire retarding properties

PVC has inherently superior fire retarding properties due to its chlorine content, even in the absence of fire retardants. For example, the ignition temperature of PVC is as high as 455°C, and is a material with less risk for fire incidents since it is not ignited easily. Furthermore, the heat released in burning is considerably lower with PVC, when compared with those for PE and PP. PVC therefore contributes much less to spreading fire to nearby materials even while burning. PVC materials used in the manufacture products are self-extinguishing and non-flame propagating in accordance with BS 4678 Part 4. Extrusion material has been tested by an accredited laboratory in accordance with the requirements of BS476: part 7 and has achieved a Class 1Y. Molding material has been tested by an accredited laboratory and conforms with IEC 695-2-1 at a severity of 650°C.

Thermal properties

PVC-products are suitable for use at service temperatures up to 65°C. A Plus PVC products are designed to accord local thermal expansion. Please check the technical data sheets for the maximum continuous operating temperature of the products

Durability

PVC, having the molecular structure where the chlorine atom is bound to every other carbon chain, is highly resistant to oxidative reactions, and maintains its performance for a long time. Measurements on underground 35 year-old PVC pipes showed no deterioration and the same strength as new pipes.

Research in Germany (60 Jahre Erfahrungen mit Rohrleitungen aus Weichmach

GENEL BİLGİ  
GENERAL INFORMATION

**Direktifler**

Directives

freiem PVC, 1995, KRV) has shown that soil buried pipes dug up after 60 years of active use when analyzed were proven to be fit for purpose and likely to have a further life expectancy of 50 years. Almost no deterioration was observed upon recovery of three kinds of exterior accessories (flexible PVC products using plasticizers) from end-of-life products after 13 years of use and upon comparison of physical properties with new products.

The shortened time for thermal decomposition is due to the heat history in the re-converting process, and can be brought back to that of the original products by adding stabilizers. Recovered products can in fact be recycled into the same products through re-converting, regardless of whether they are pipes or trunkings. The physical properties of these re-converted products are almost the same as with products made from virgin resin, and there is also no problem upon actual use.

Oil/Chemical resistance

PVC is resistant to acid, alkali and almost all inorganic chemicals. Although PVC swells or dissolves in aromatic hydrocarbons, ketones, and cyclic ethers, PVC is hard to dissolve in other organic solvents. Taking advantage of this characteristic, PVC is used in exhaust gas ducts, sheets used in construction, bottles, tubes and hoses.

Mechanical stability

PVC is a chemically stable material, which shows little change in molecular structure, and exhibits little change in its mechanical strength. Although PVC is a viscoelastic material, its creep deformation is very low compared with other plastics due to limited molecular motion at ordinary temperature, in contrast to PE and PP, which have greater molecular motion in their amorphous sections.

A European study on very early PVC pipes – produced from the 1930s to 1950s – showed a service life of 50 years and excellent durability characteristics (T Hulsmann, European Vinyls Corporation, and R Novak ALPHACAN Omniplast GmbH). More modern PVC pipes would be expected to last significantly longer – probably up to or in excess of 100 years. Source: "PVC and environmental issues" by Tetsuya Makino, Seikei Kakou (a journal of the Japan Society of Polymer Processing), Vol.10, No.1 (1998)



GENEL BİLGİ  
GENERAL INFORMATION

**Direktifler**

Directives

**LABORATUVAR TESTLERİ**

Firmamız bünyesinde ilk defa yapılacak ürünler için (en az yılda bir defa) yapılan testler:

**Alev Yayılmasına Karşı Dayanıklılık Testi**  
Aleve tabi tutulan CTS/CDS numunesinin tutuşmaması veya tutuşması durumunda tutuşma kaynağının uzaklaştırılması ile yanmaya devam etme süresi ölçülür.

**Isıya Karşı Dayanıklılık (Bilye) Testi**  
Belirli bir sıcaklığa getirilmiş destek üzerine yerleştirilen numune yüzeyine çelik bir bilye ile belli bir kuvvet uygulanarak oluşan çökme incelenir. Malzemenin ısıya karşı dayanıklılığı belirlenir.

**Kızaran Tel Testi**  
Aşırı elektrik yüklenmeleri ile ısınan ve kızaran tel, şartlandırılmış numune yüzeyine belli bir süre boyunca temas ettirilir. Malzemenin ısı ve parlamaya karşı mukavemeti ölçülür.

**Rutin Testler**  
Rutin Testler üretimin ilk başlangıcında makinadan ilk çıkan üründen alınacak olan numuneler ile yapılır. Bu testler belirtilen test talimatlarına göre uygulanır.

**1.Darbe Dayanımı Testi**  
Belirlenen sıcaklıklarda şartlandırılan numune üzerine belli bir yükseklikten bırakılan çekicinin serbest düşmesi sonucu meydana gelen deformasyon incelenir. Darbeye olan dayanıklılık izlenir.

**LABORATORY TESTS**

The products that manufactured for the first time in our company go through these tests:

**Flame Resistance Test**  
The CTS / CDS sample is subjected to the flame, non-ignition of the sample is observed or in the case of the ignition, the ignition source is removed and the duration of onset is measured.

**Heat Resistance Test**  
Force is applied to the surface of the sample which is placed on the heated support by a steel ball. The deformation on the sample is observed. The resistance of the material to the heat is determined.

**Glow Wire Test**  
The wire which is heated and glowed with excessive electrical charges is contacted with the sample surface for a certain period of time. The resistance of the material to heat and glow is determined.

**Rutin Tests**  
The rutin test are applied to the conditioned sample of the first product that comes out from the machine. These tests are performed according to the specified test instructions.

**1.Impact Resistance Test**  
The deformation of the conditioned sample caused by free-falling hammer from a certain height is observed. The resistance of the material to impact is determined.

GENEL BİLGİ  
GENERAL INFORMATION

**Direktifler**

Directives

**2.Kablo Destek Testi**  
Hazırlanmış bir düzenek üzerine monte edilmiş olan kablo kanalı (kesit alanı>500 mm<sup>2</sup>) TS EN 50085-2-1 standardına göre test edilerek kanal kapaklarının uygunluğu izlenir.

**3.Yüksek Gerilim Testi**  
Belirli bir süre nemlendirme işlemi uygulanarak yaşlandırılan numuneye yüksek gerilim transformatörü tarafından bir gerilim uygulanır. Malzemenin elektriksel zorlamaya karşı dayanıklılığı belirlenir.

**4.Yalıtım Direnci (İzolasyon) Testi**  
Nemlendirme işlemi ile yaşlandırılan numuneye elektrotlar aracılığıyla belirli bir doğru akım gerilimi uygulanır. Malzemenin elektriksel zorlamaya karşı yalıtım direnci belirlenir.

**2.Cable Support Test**  
The cable duct(cross sectional area>500mm<sup>2</sup>) mounted on a support is tested according to TS EN 50085-2-1 standard and the suitability of duct covers is observed.

**3.High Voltage Test**  
Voltage is applied by the high voltage transformation to the aged sample by applying a humidification process for a certain period of time. The resistance of the material to electrical stress is determined.

**4.Insulation Resistance Test**  
A direct current voltage is applied by the electrodes to the sample aged by humidifying. The insulation resistance of the material to electrical stress is determined.